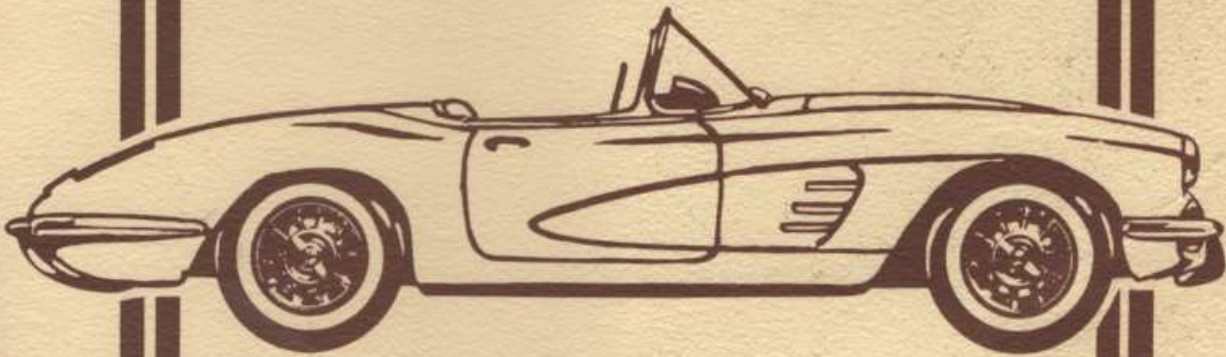


# 1960

**corvette  
assembly  
manual**



# CORVETTE ASSEMBLY INSTRUCTION MANUAL

## CONTENTS

### INTRODUCTION

Section 0  
Sheet 1 General Index  
Sheet 2 Terms & Symbols  
Sheet 3 Typical Bonding Sections

### Section A

Sheet 1 Underbody Index  
Sheet 2 Underbody, Reinforcement  
& Seat Belts  
Sheet 3 Rocker Panel & Carpet  
Sheet 4 Rear Compartment Floor  
Panel & Mat

### Section B

Sheet 1 Front End Index  
Sheet 2 Front Top & Bottom Panels  
Sheet 3 Dash Panel & Cowl  
Reinforcement  
Sheet 4 Instrument Panel, Radio  
Screen & Hinge Pillar  
Sheet 5 Windshield  
Sheet 6 Dash Mat & Cowl Trim  
Panel  
Sheet 7 Cowl Ventilator  
Sheet 8 Mirrors  
Sheet 9 Windshield Wipers  
Sheet 10 Body Reinforcements  
Sheet 11 Trim Plate & Assist Rail  
Sheet 12 Tray-Instrument Panel

### Section C

Sheet 1 Folding Top  
Sheet 2 Folding Top Shipping Cover  
Sheet 3 Folding Top, Side Rail  
Weatherstrips

### Section E

Sheet 1 Rear End Index  
Sheet 2 Body Rear, Division Panel  
& Rear Compt. Lid  
Sheet 3 Bonding Strips  
Sheet 4 Folding Top Lid &  
Fuel Tank Cover  
Sheet 5 Rear Compartment Lid Lock  
Sheet 6 Folding Top Lid & Rear  
Compartment Lid Hinge  
Sheet 7 Hinge Adjustment

### Section F

Sheet 1 Side Door Index  
Sheet 2 Inner & Outer Panels, Hinge  
Reinforcement & Side Mouldings  
Sheet 3 Door Sealings & Access Hole  
Covers  
Sheet 4 Door Hinge  
Sheet 5 Lock & Striker  
Sheet 6 Outside Door Handle & Lock  
Cylinder  
Sheet 7 Remote Control & Window Rear Run  
Sheet 8 Post Assembly & Front Guide  
Sheet 9 Window Assembly, Adjustable  
Bumper & Upper Guide Rail  
Sheet 10 Window Regulator, Bumper  
& Rear Guide  
Sheet 11 Mouldings And Arm Rest Plate  
Sheet 12 Trim Panel, Mouldings &  
Weatherstrips  
Sheet 13 Side Door Reinforcements

### Section J

Sheet 1 Seats Index  
Sheet 2 Seat Frame & Seat Adjusters  
Sheet 3 Seat Back Partition Panel  
& Filler Panel  
Sheet 4 Seat Separator

### Section 1 Body Mounting

Sheet 1

### Section 2 Frame Assembly

Sheet 1

### Section 3 Front Suspension

Sheets 1 thru 4

### Section 4 Rear Suspension

Sheets 1 thru 6

### Section 5 Brakes

Sheets 1 thru 6

### Section 6 Engine

Sheets 1 thru 12

### Section 7 Transmission

Sheets 1 thru 3

---

Section 8 Fuel & Exhaust  
Sheets 1 thru 3

Section 9 Steering  
Sheets 1 thru 5

Section 10 Wheels & Tires  
Sheets 1 thru 2

Section 11-13 Hood, Fenders & Radiator  
Sheets 1 thru 6

Section 12 Electrical  
Sheets 1 thru 15

Section 14 Bumpers & Miscellaneous  
Sheets 1 thru 10

RPO\_FOA INDEX (Option Index)

---









# ASSEMBLY INSTRUCTIONS

CORVETTE


DATE	SYM.	REVISION	RECORDED	AUTH.	DR. CK.
6-23-59		RELEASED		19977	CO B



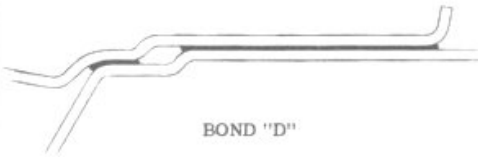
BOND "A"



BOND "B"



BOND "C"



BOND "D"

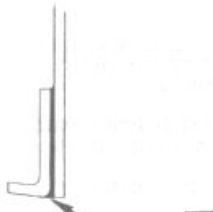


BOND "E"

NOTE 1

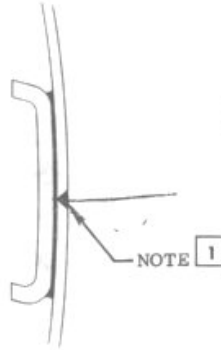


BOND "F"



BOND "G"

NOTE 1



BOND "H"

NOTE 1



BOND "J"



BOND "K"



BOND "L"



BOND "M"

1 IN APPEARANCE AREAS, AFTER BOND HAS CURED GRIND EXCESS CEMENT BEAD FLUSH WITH SURFACE AND SAND TO SMOOTH FINISH.

3711175 PLASTIC ADHESIVE CEMENT, 19 QUARTS PER VEHICLE AS REQUIRED IN THE TYPICAL SECTIONS SHOWN.

## TYPICAL BONDING SECTIONS

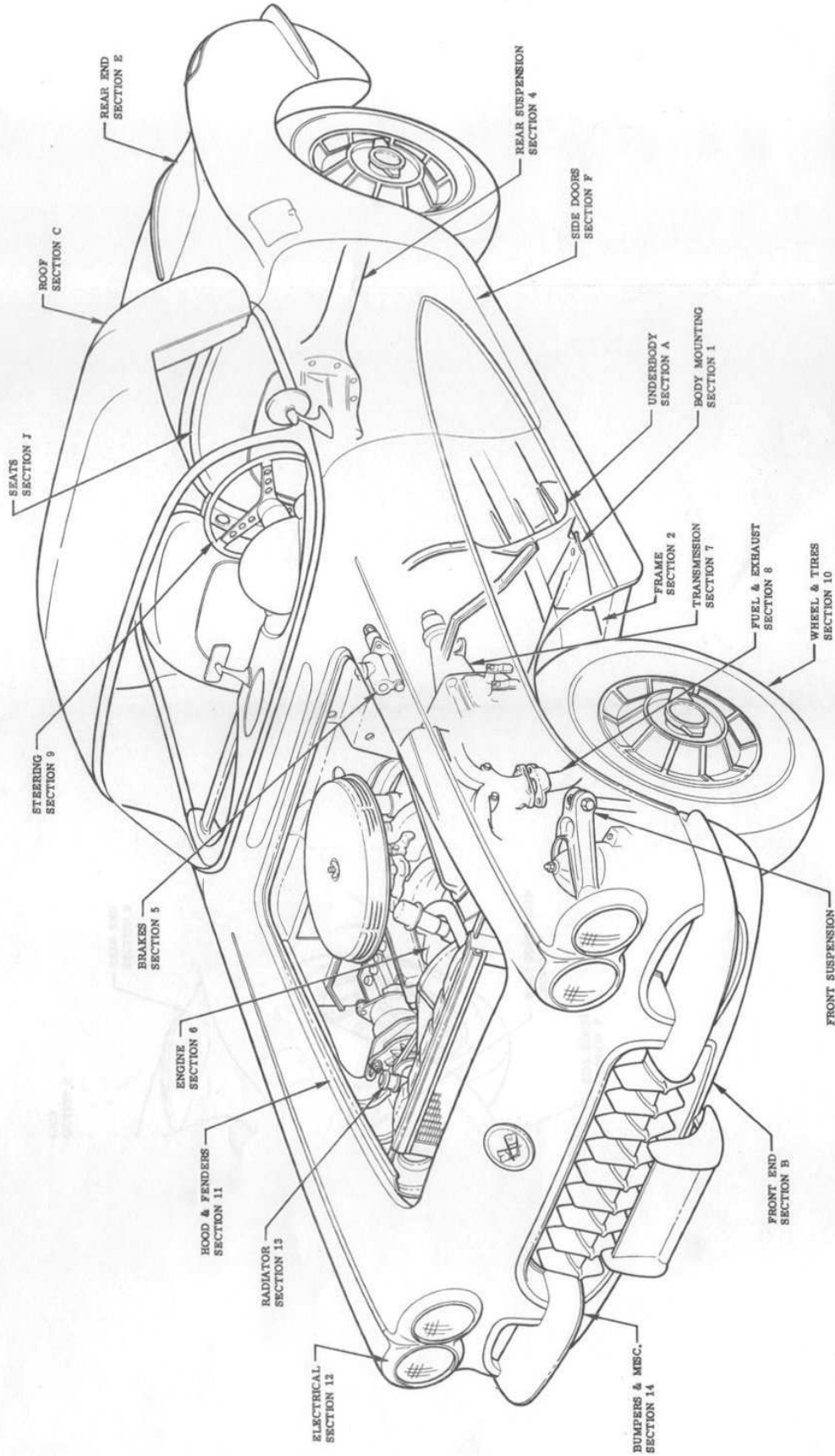
CHEVROLET MOTOR DIVISION

GENERAL MOTORS CORPORATION

INTRODUCTION

PART No. 3774300

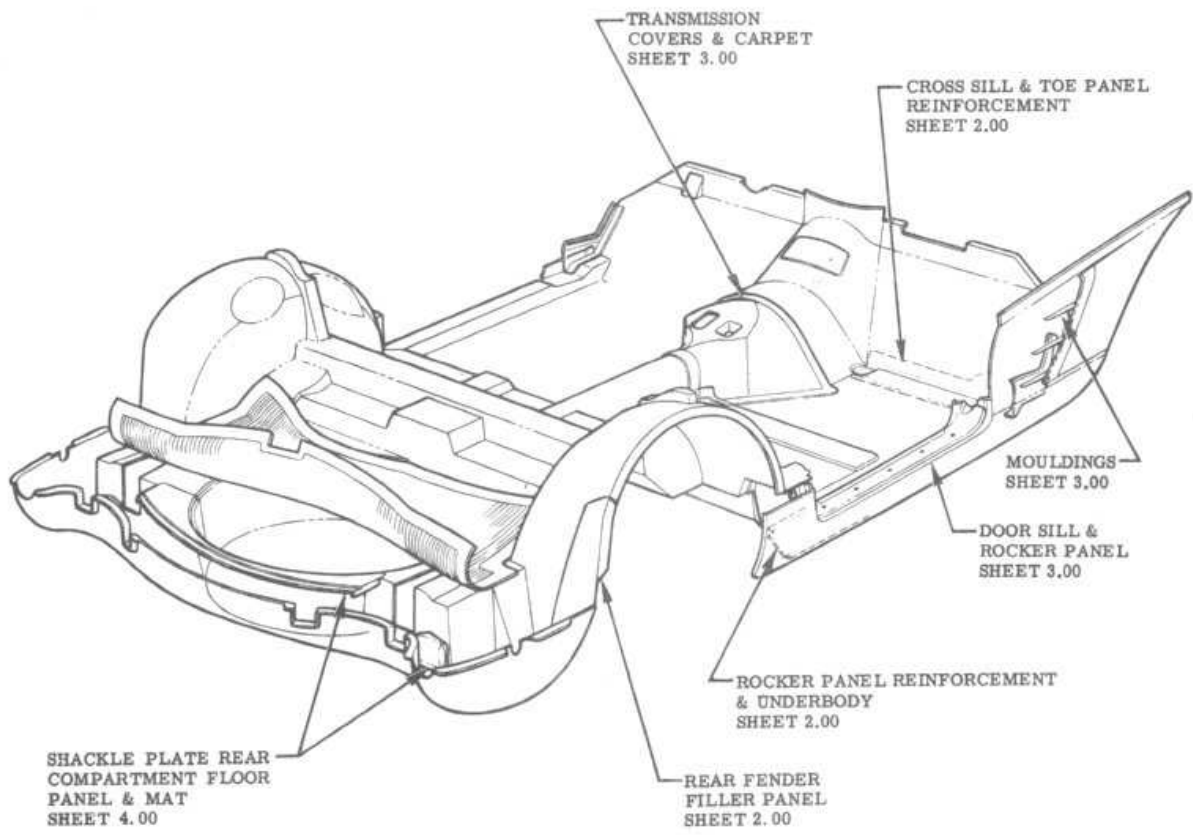
3.00



CORVETTE INSTRUCTION MANUAL		BUCK		SHEET	
NAME	REF.	DRAWN	CHECKED	BUCK	SECT.
	19977	SAUNDERS			0
	DATE	5-25-59		PART No.	3774300
DATE	SYL	RELEASED.	REVISION RECORD	AUTH.	DR. CK.

LUBRICATION CHART SECTION 14

GENERAL INDEX



**UNDERBODY INDEX**

						NAME	CORVETTE INSTRUCTION MANUAL			
						REF. 19977	DRAWN ORR	CHECKED BUCK	SECT. A	SHEET 1.00
						RELEASED				
DATE	SYM.	REVISION RECORD	AUTH.	DR.	CK.	DATE 5-25-59	PART No. 3 7 7 4 3 0 0			

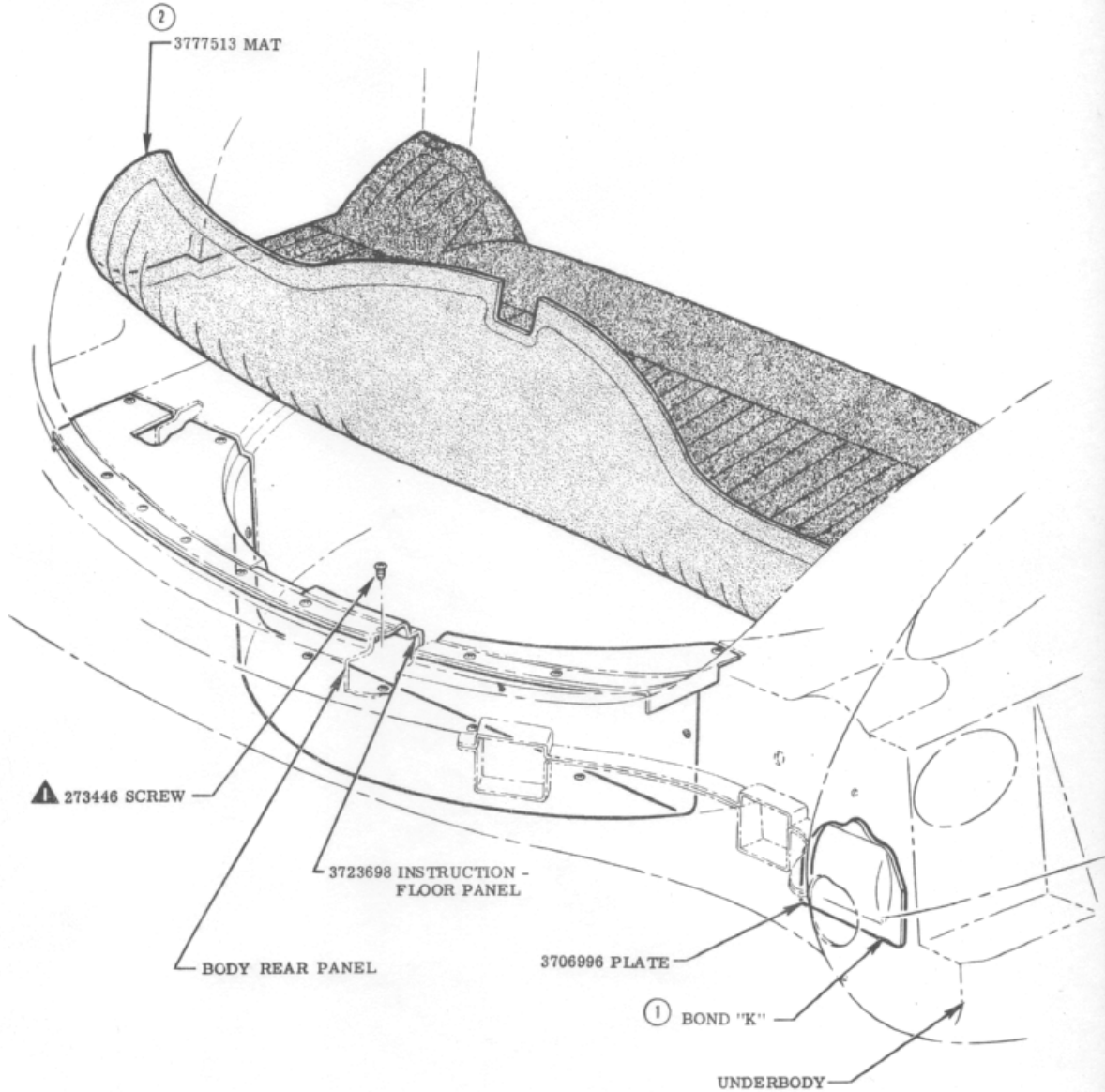






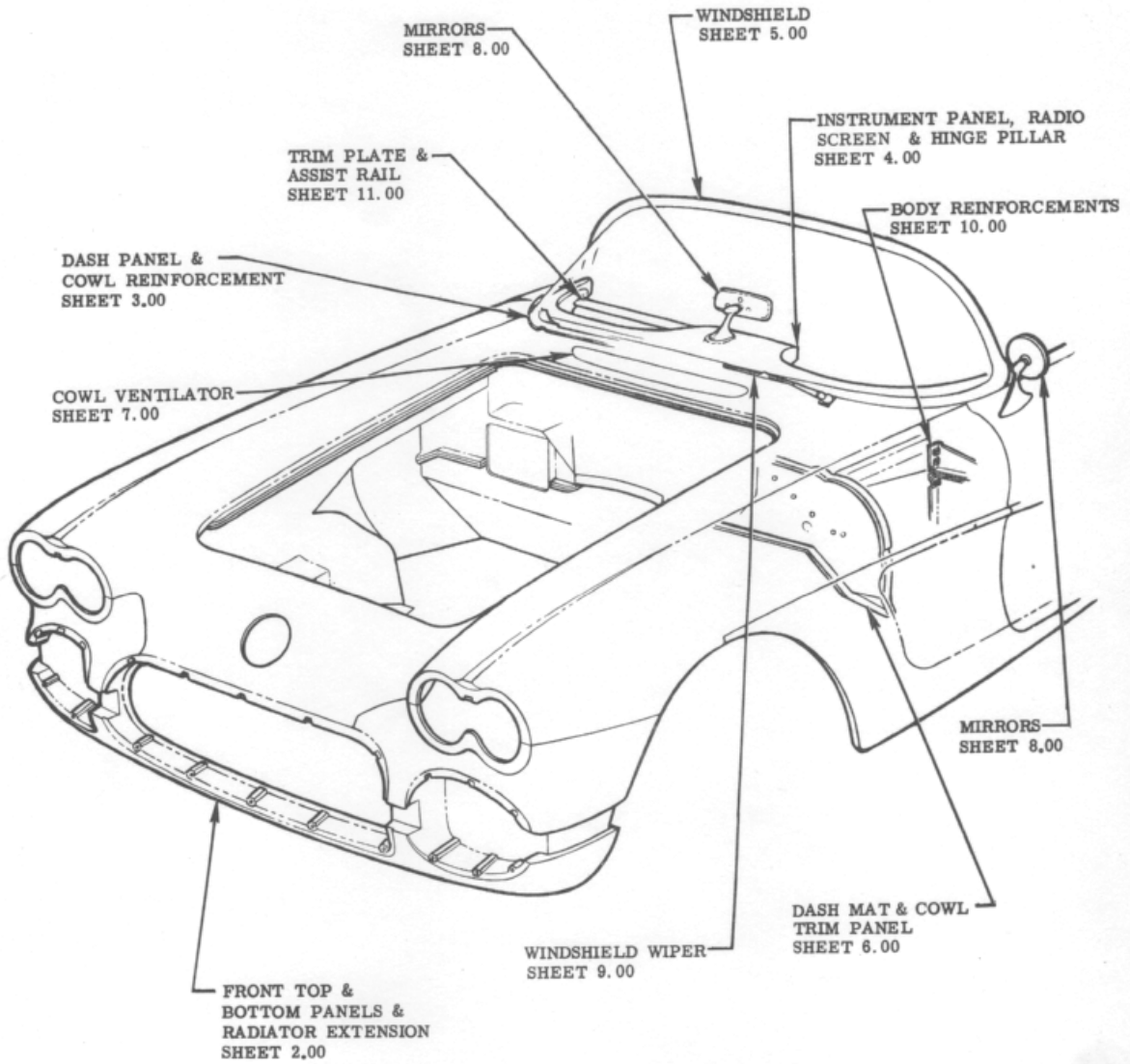


▲ 15-18 LBS. IN.



REAR COMPARTMENT FLOOR PANEL & MAT

	2	WAS 3761394	22348		F	NAME	CORVETTE INSTRUCTION MANUAL				
10-13-59	1	273445 SCREW TORQUE 15-18 LBS. IN REMOVED & BOND				REF.	DRAWN	CHECKED	SECT.	SHEET	
		NOTE ADDED	15938	CO		19977	ORR	BUCK	A	4.00	
		RELEASED				DATE	PART No.				
DATE	SYM.	REVISION RECORD	AUTH.	DR.	CK.	5-25-59	3774300				



**FRONT END INDEX**

						NAME	CORVETTE INSTRUCTION MANUAL						
						REF.	19977	DRAWN	ORR	CHECKED	BUCK	SECT.	SHEET
						DATE	6-13-59	PART No.	3774300			B	1.00
DATE	SYM.	REVISION RECORD		AUTH.	DR.	CK.							







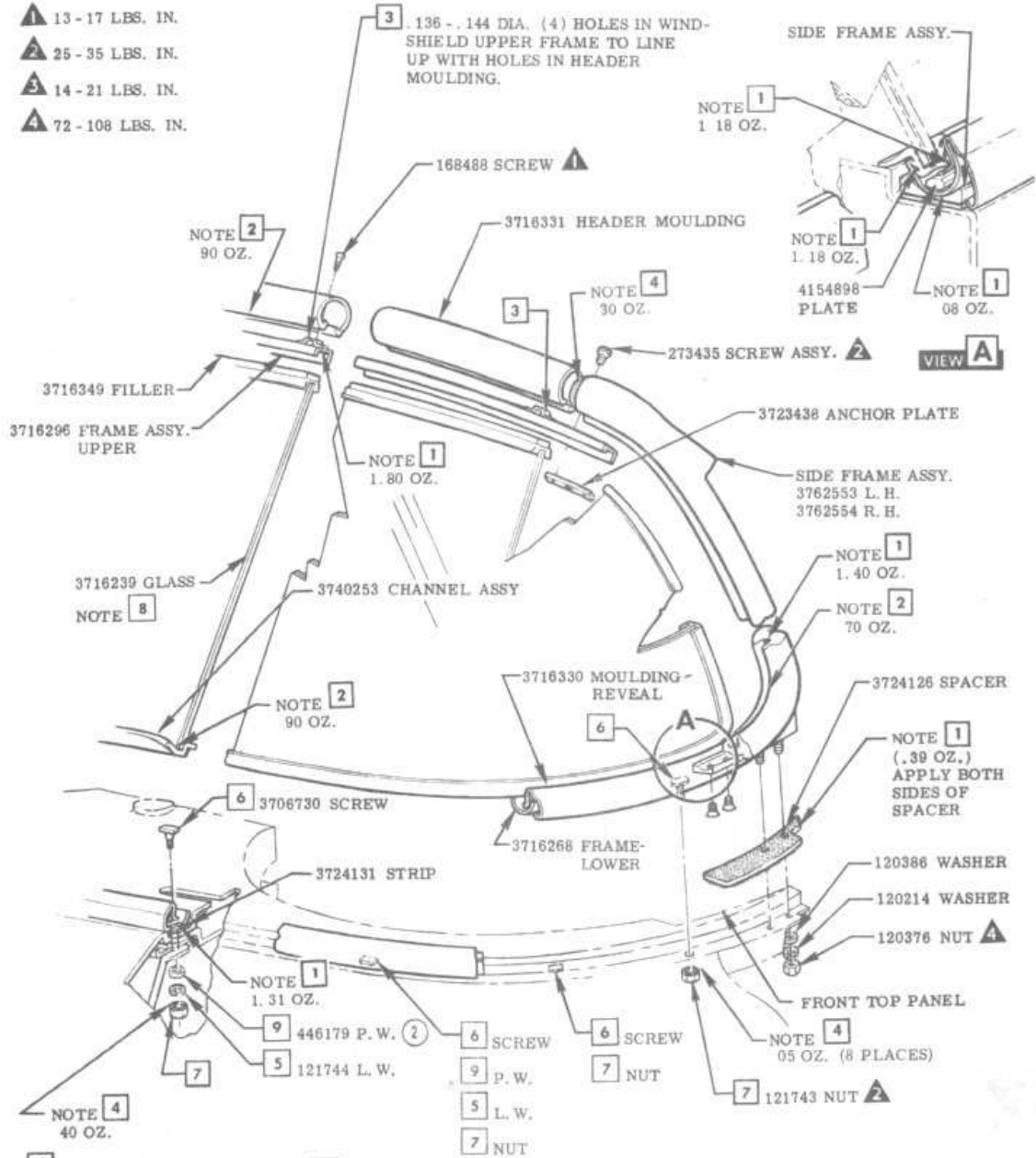


CHEVROLET MOTOR DIVISION



GENERAL MOTORS CORPORATION

- ▲ 13 - 17 LBS. IN.
- ▲ 25 - 35 LBS. IN.
- ▲ 14 - 21 LBS. IN.
- ▲ 72 - 108 LBS. IN.



- 4 466943 CEMENT
- 2 3779230 CEMENT
- 1 3710409 COMPOUND

8 WINDSHIELD SHOULD NOT BE SUBJECTED TO TEMPERATURES OVER 170° F, AS HANDLED IN PAINT REPAIR OPERATIONS. A PROTECTIVE SHIELD SHOULD BE PLACED OVER THE WINDSHIELD GLASS WHENEVER A HEATED WINDSHIELD IS SUBJECTED TO WATER SPRAY OR COLD AIR BLAST TO ELIMINATE THE SHOCK OF EXTREME CHANGES IN TEMPERATURE.

**WINDSHIELD**

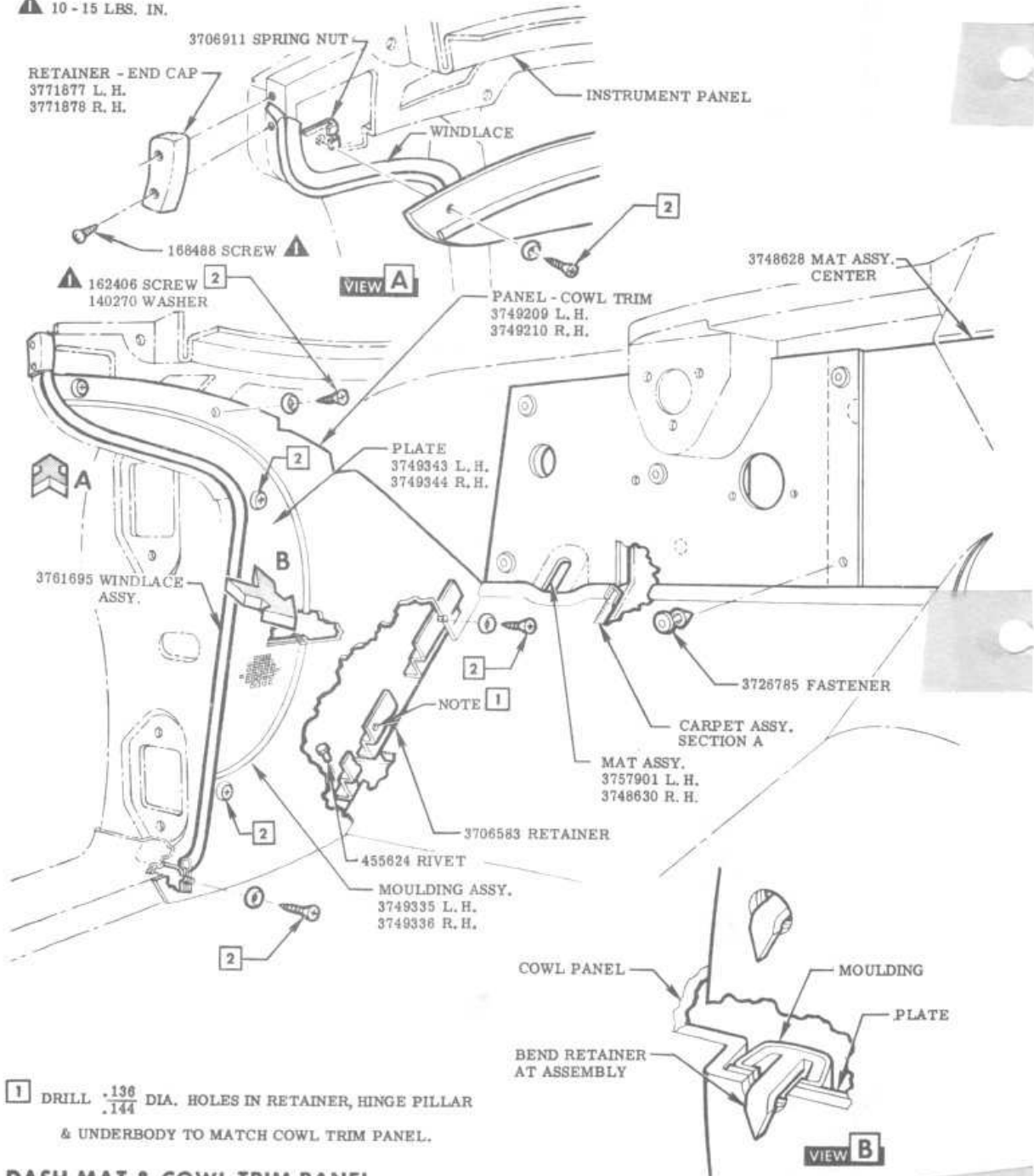
REVISION RECORD				CORVETTE INSTRUCTION MANUAL			
DATE	SYM.	RELEASED	AUTH.	DR.	CK.	PART No.	SHEET
2-18-60	2	WAS 446119		CO	F	3774300	5.00
10-22-59	1	WAS 3686628	22869	CO	F		
DATE				6-8-59		SECT. B	

CHEVROLET MOTOR DIVISION



GENERAL MOTORS CORPORATION

▲ 10 - 15 LBS. IN.



1 DRILL  $\frac{.136}{.144}$  DIA. HOLES IN RETAINER, HINGE PILLAR & UNDERBODY TO MATCH COWL TRIM PANEL.

**DASH MAT & COWL TRIM PANEL**

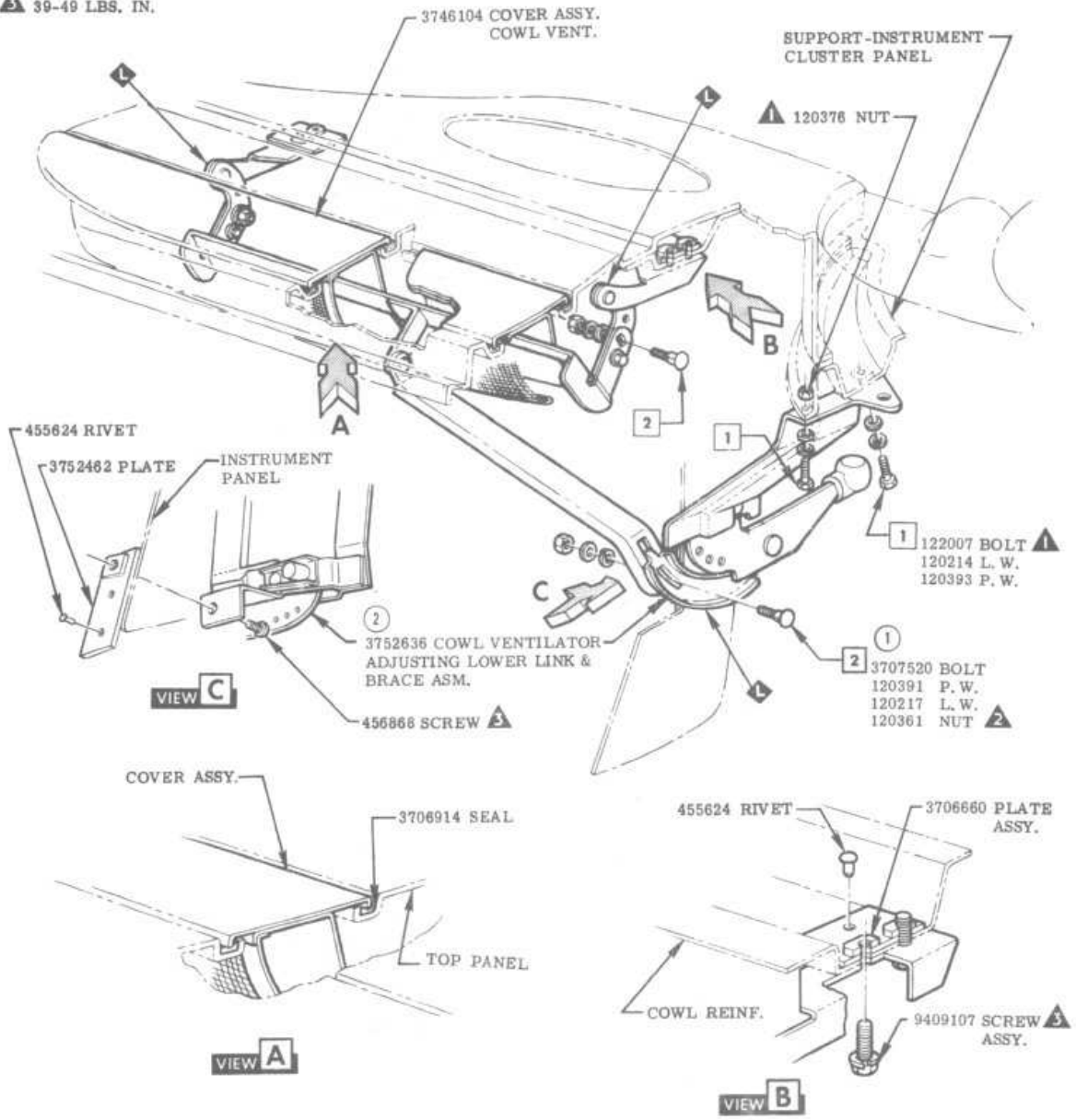
					CORVETTE INSTRUCTION MANUAL				
					REF. 19977	DRAWN ORR	CHECKED BUCK	SECT. B	6.00
RELEASED					DATE 7-1-59	PART No. 3774300			
DATE	SYM.	REVISION RECORD	AUTH.	DR.	CK.				

CHEVROLET MOTOR DIVISION



GENERAL MOTORS CORPORATION

- ▲ 86-107 LBS. IN.
- ▲ 25-35 LBS. IN.
- ▲ 39-49 LBS. IN.



**COWL VENTILATOR**

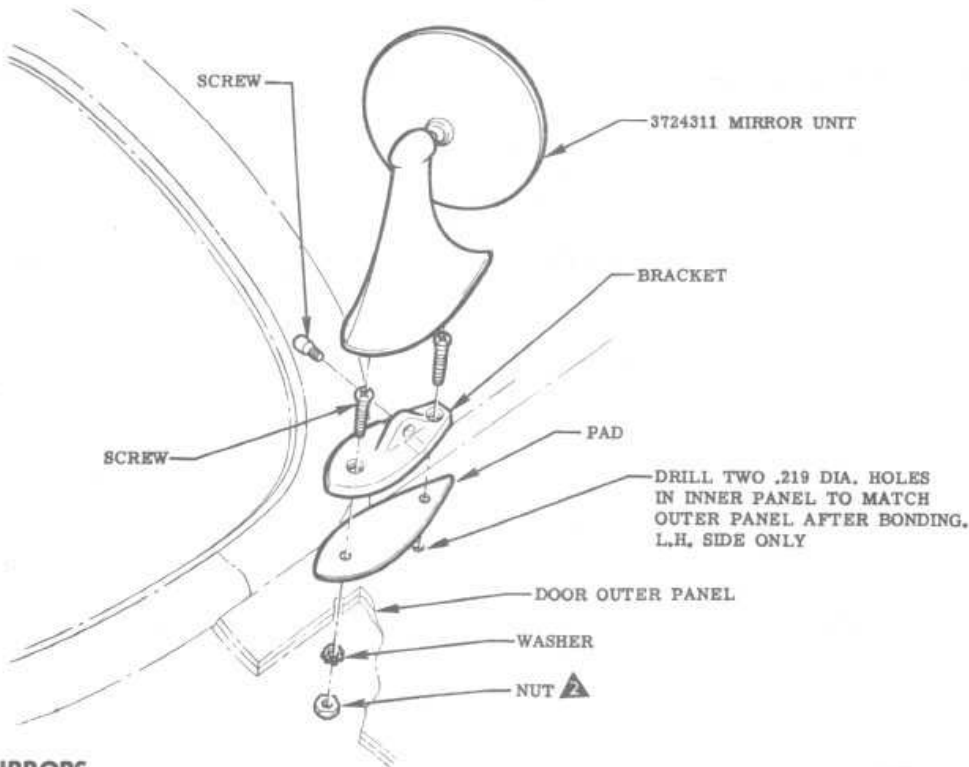
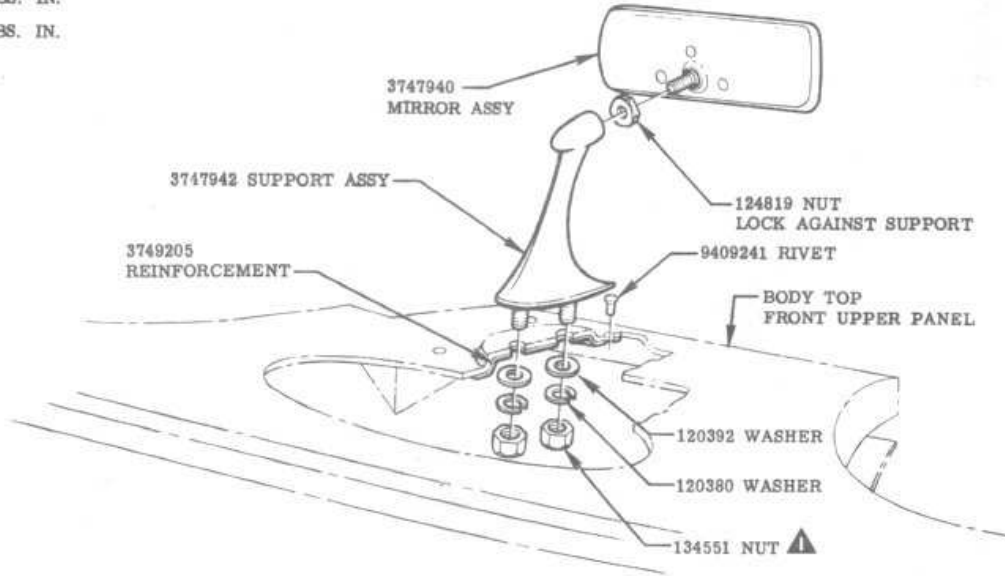
					CORVETTE INSTRUCTION MANUAL				
DATE	SYM.	REVISION RECORD	AUTH.	DR. CK.	NAME	DRAWN	CHECKED	SECT.	SHEET
3-10-60	2	WAS 3746106		F	REF. 19977	ORR	BUCK	B	7.00
	1	WAS 2 OF EA. AT LOWER LINK RELEASED	15968	CO	DATE 6-18-59	PART No. 3774300			

CHEVROLET MOTOR DIVISION



GENERAL MOTORS CORPORATION

- ▲ 42-52 LBS. IN.
- ▲ 14-21 LBS. IN.



MIRRORS

				NAME				CORVETTE INSTRUCTION MANUAL			
				REF.	DRAWN	CHECKED	SECT.	SHEET			
				19977	ORR	BUCK	B	8.00			
RELEASED				DATE	PART No.						
DATE	SYM.	REVISION RECORD	AUTH.	DR.	CK.	6-18-59	3774300				





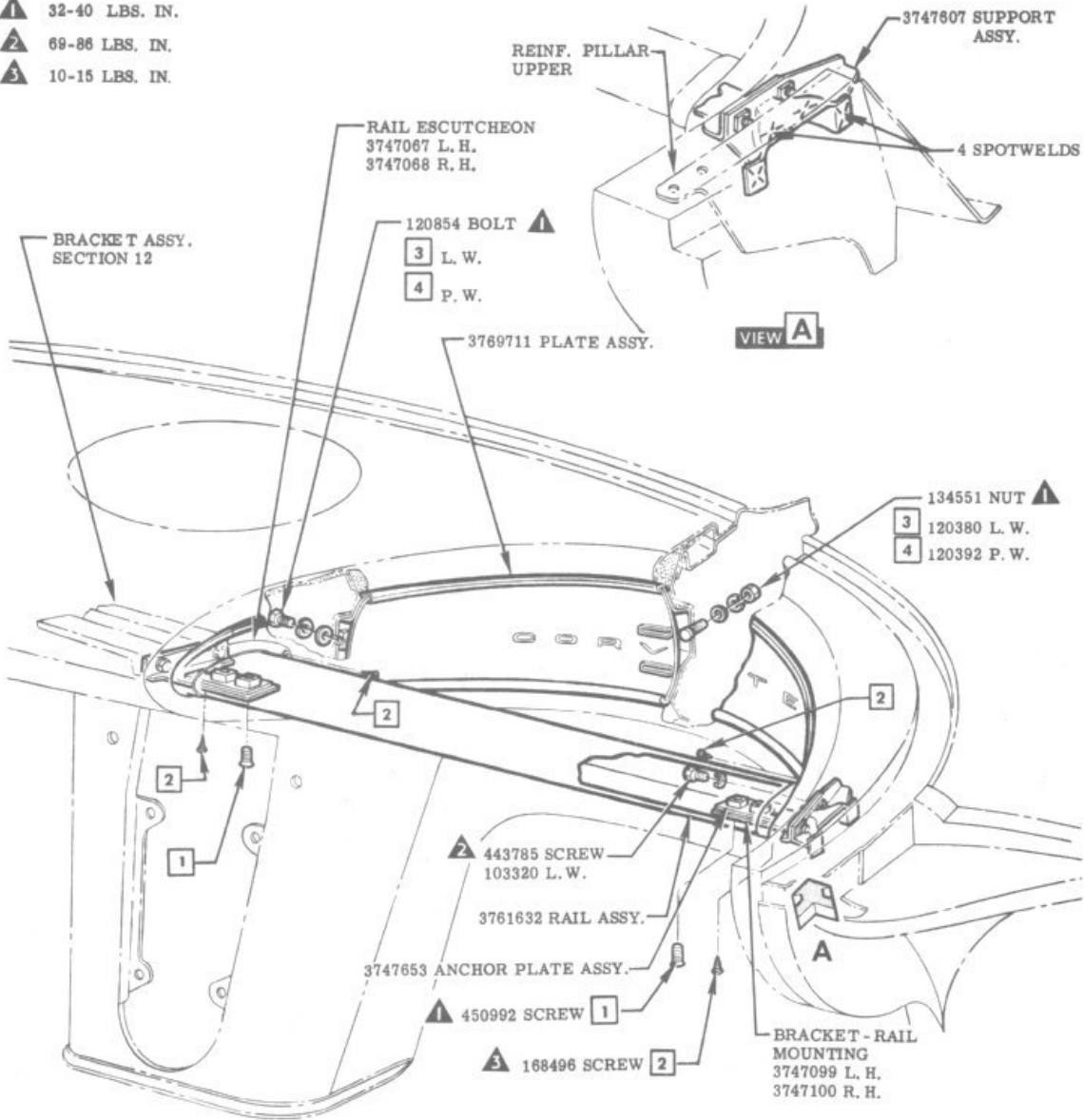


CHEVROLET MOTOR DIVISION



GENERAL MOTORS CORPORATION

- ▲ 32-40 LBS. IN.
- ▲ 69-86 LBS. IN.
- ▲ 10-15 LBS. IN.

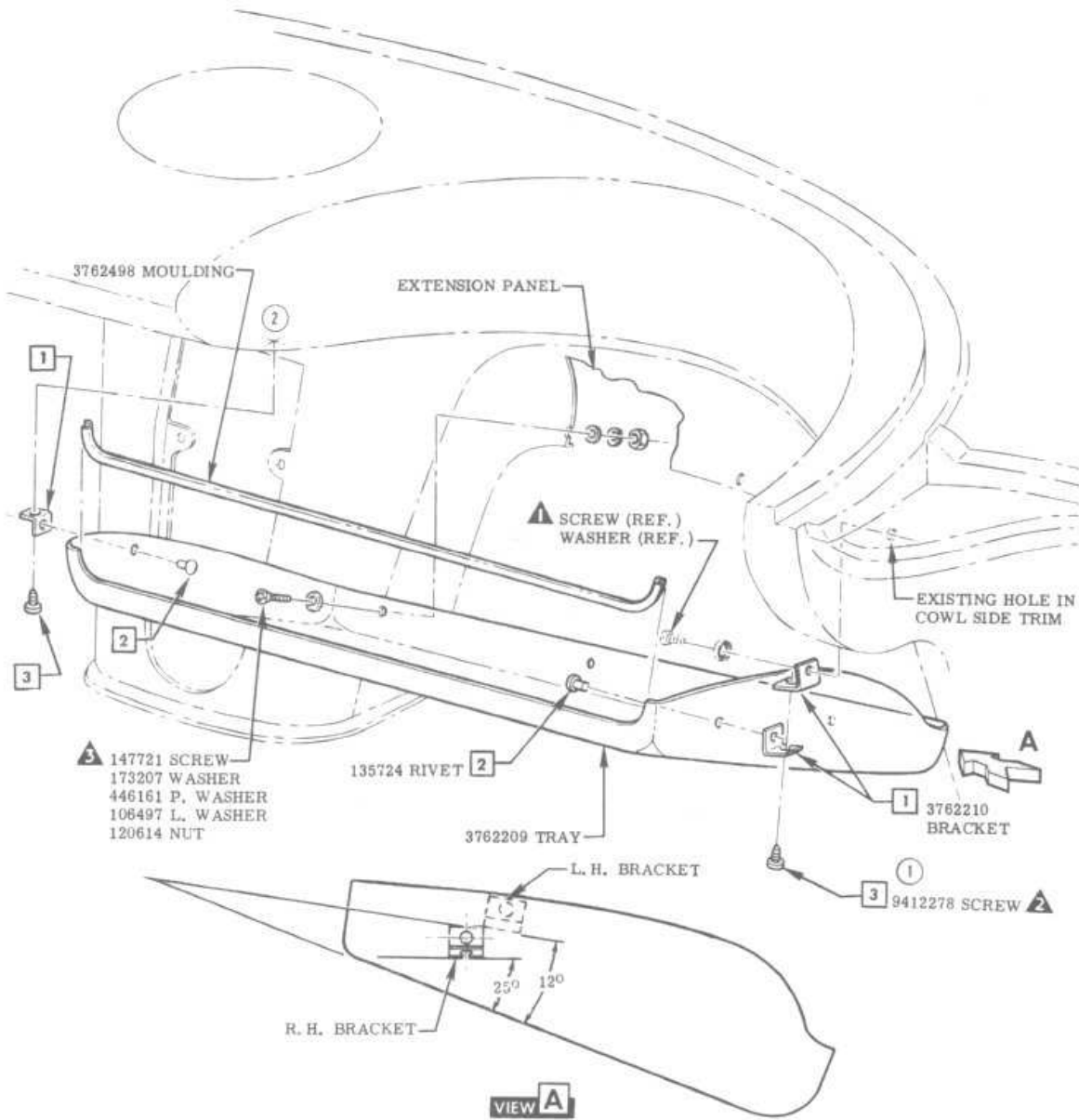


TRIM PLATE & ASSIST RAIL

						NAME	CORVETTE CAR INSTRUCTION MANUAL				
						REF.	DRAWN	ORR	CHECKED	SECT.	SHEET
						19977			BUCK	B	11.00
		RELEASED				DATE	PART No.				
DATE	SYM.	REVISION RECORD	AUTH.	DR.	CK.	6-16-59	3774300				



- ▲ 13-17 LBS. IN.
- ▲ 18-24 LBS. IN.
- ▲ 25-35 LBS. IN.



TRAY—INSTRUMENT PANEL

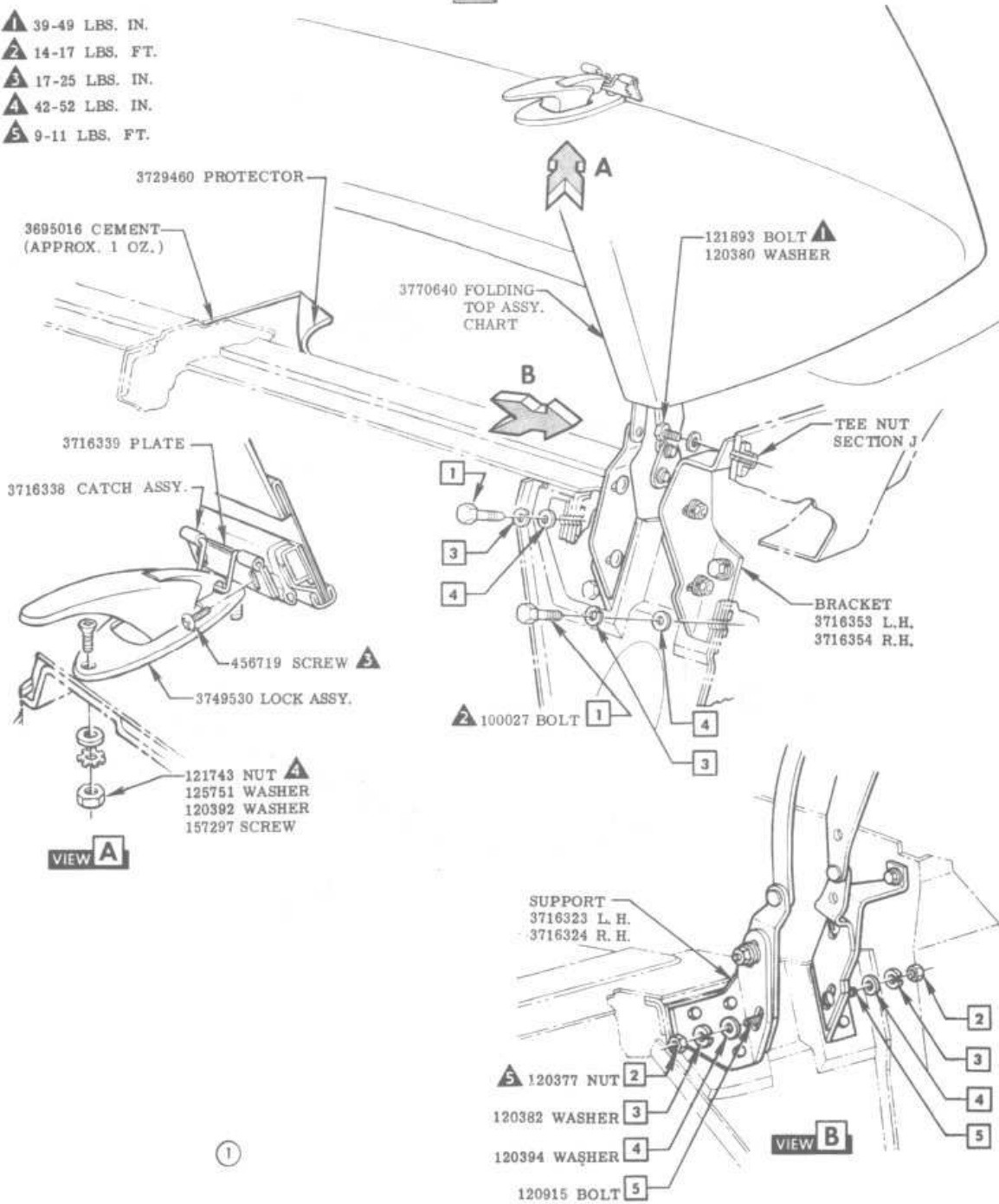
						CORVETTE INSTRUCTION MANUAL			
DATE	SYM.	REVISION RECORD	AUTH.	DR.	CK.	DATE	PART No.	SECT.	SHEET
9-23-59	2	HOLE & NOTE REMOVED			B	REF. 19977	DRAWN ORR	CHECKED BUCK	
	1	WAS 163216 SCREW RELEASED	15920	CO					
						5-25-59	3774300	B	12.00

CHEVROLET MOTOR DIVISION



GENERAL MOTORS CORPORATION

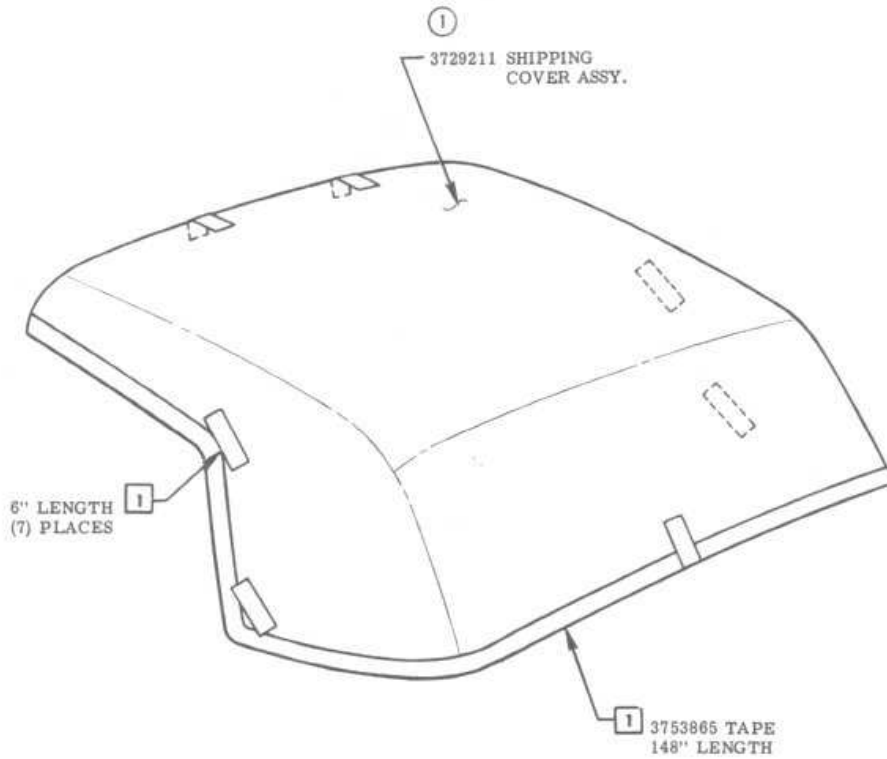
- ▲ 39-49 LBS. IN.
- ▲ 14-17 LBS. FT.
- ▲ 17-25 LBS. IN.
- ▲ 42-52 LBS. IN.
- ▲ 9-11 LBS. FT.



FOLDING TOP

							CORVETTE INSTRUCTION MANUAL			
			NAME		REF.		DRAWN	CHECKED	SECT.	SHEET
5-7-60 1 VIEW C REMOVED			CORVETTE		19977		ORR	BUCK	C	1.00
DATE SYM. REVISION RECORD			AUTH. DR. CK.		DATE		PART No.			
					6-5-59		3774300			





FOLDING TOP SHIPPING COVER

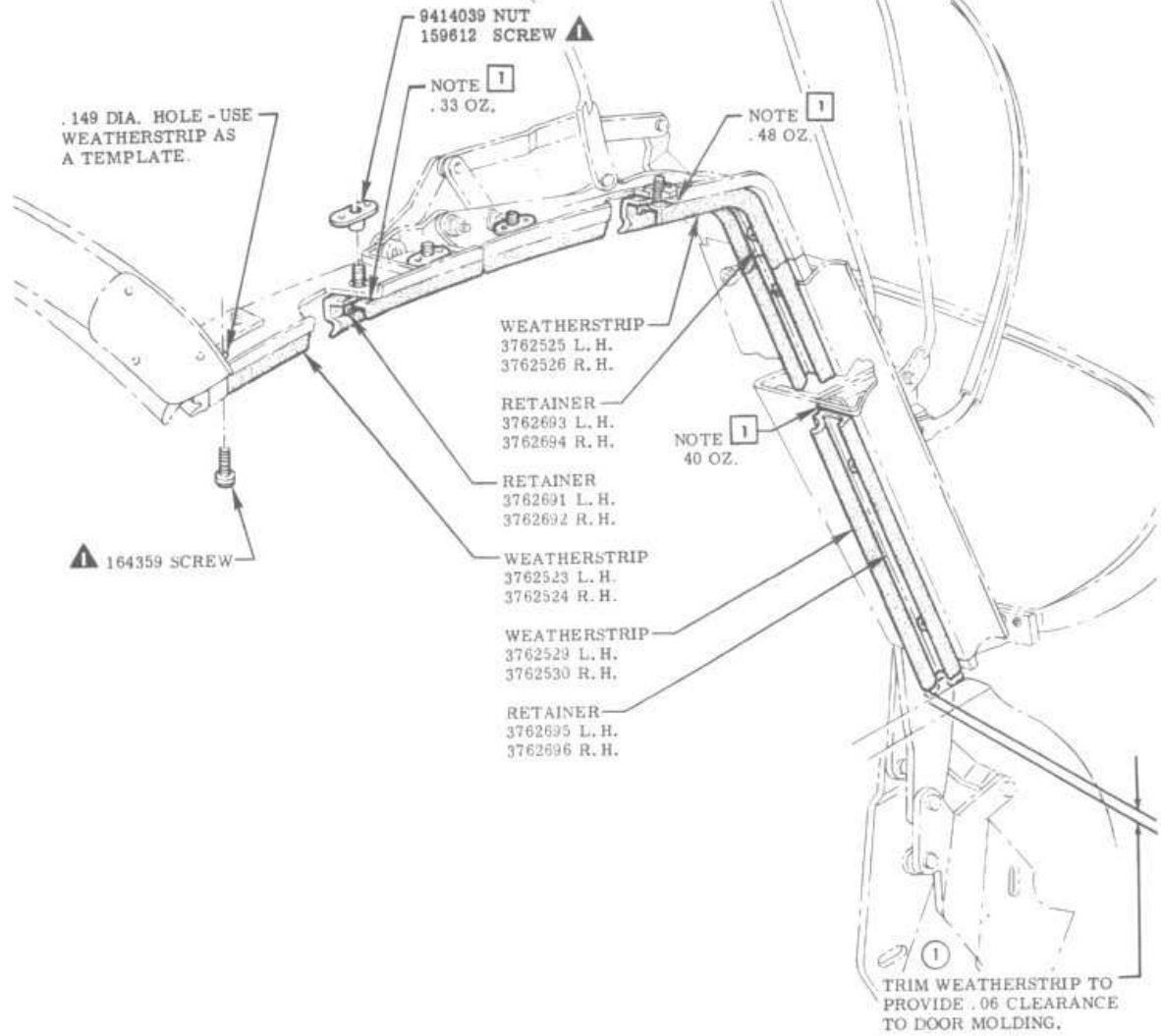
				NAME				CORVETTE INSTRUCTION MANUAL			
7-28-59	1	PART NO, ADDED	15914	TH	F	REF.	DRAWN	CHECKED	SECT.	SHEET	
		RELEASED				19977	ORR	BUCK	C	2.00	
DATE	SYM.	REVISION RECORD	AUTH.	DR.	CK.	DATE	PART No.				
						5-25-59	3774300				

CHEVROLET MOTOR DIVISION



GENERAL MOTORS CORPORATION

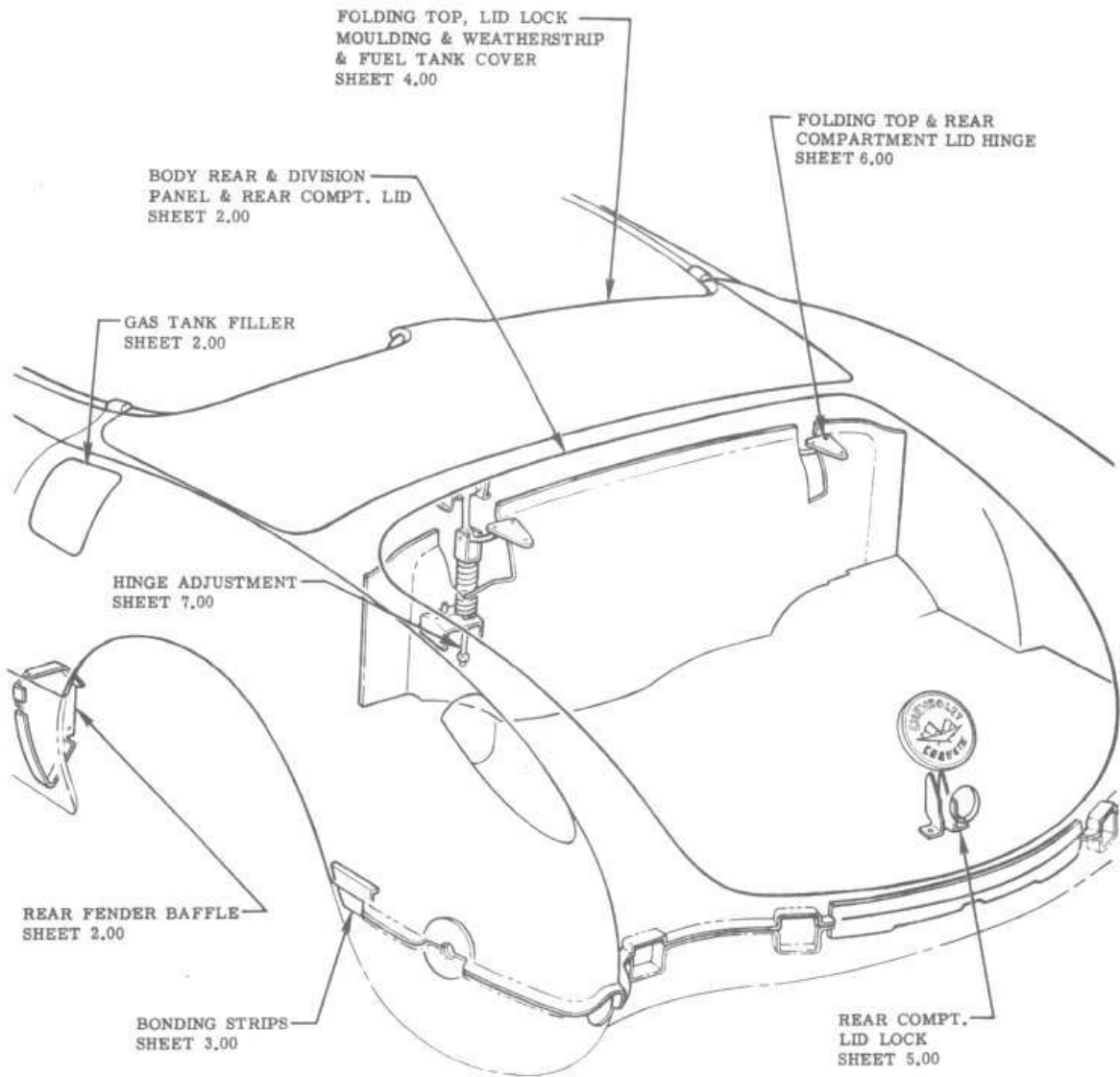
▲ 16-22 LBS. IN.



1 3686628 CEMENT

FOLDING TOP, SIDE RAIL WEATHERSTRIPS

						CORVETTE INSTRUCTION MANUAL				
DATE	SYM.	REVISION RECORD	AUTH.	DR.	CK.	REF.	DRAWN	CHECKED	SECT.	SHEET
9-23-59	1	NOTE REVISED RELEASED	20335	CO	B	19977	ORR	BUCK	C	3.00
						DATE	PART No. 3774300			
						6-12-59				



REAR END INDEX

									NAME	CORVETTE INSTRUCTION MANUAL			
									REF.	DRAWN	CHECKED	SECT.	SHEET
									19977	ORR	BUCK	E	1.00
									DATE	PART No.			
									5-25-59	3774300			
DATE	SYM.	REVISION RECORD			AUTH.	DR.	CK.						



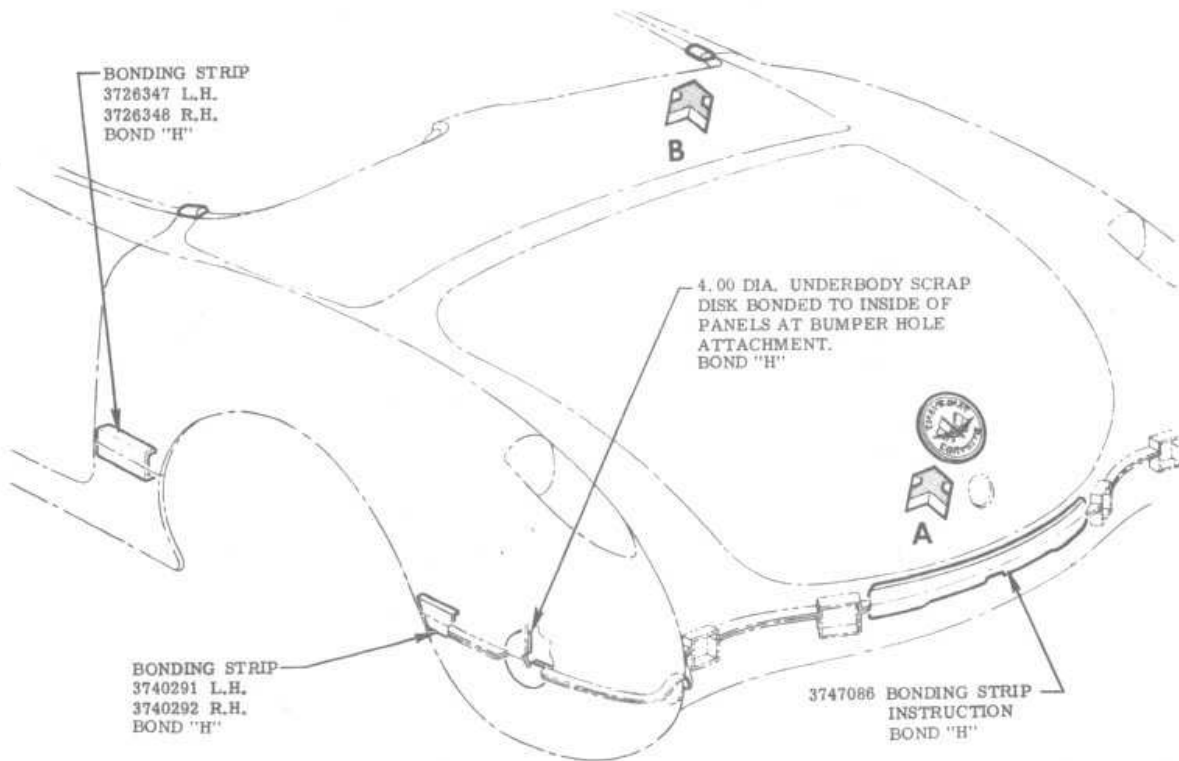
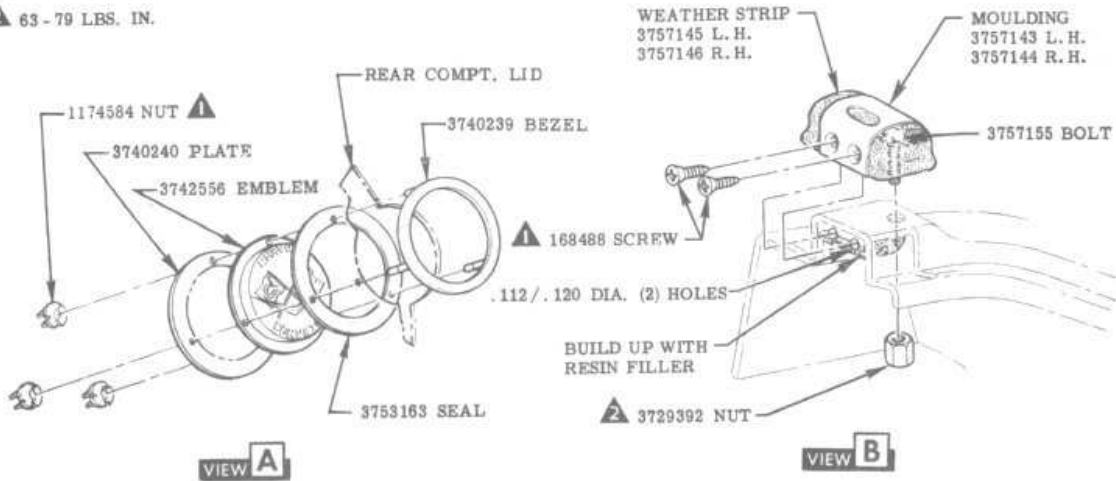
CHEVROLET MOTOR DIVISION



GENERAL MOTORS CORPORATION

▲ 10 - 15 LBS. IN.

▲ 63 - 79 LBS. IN.



**BONDING STRIPS**

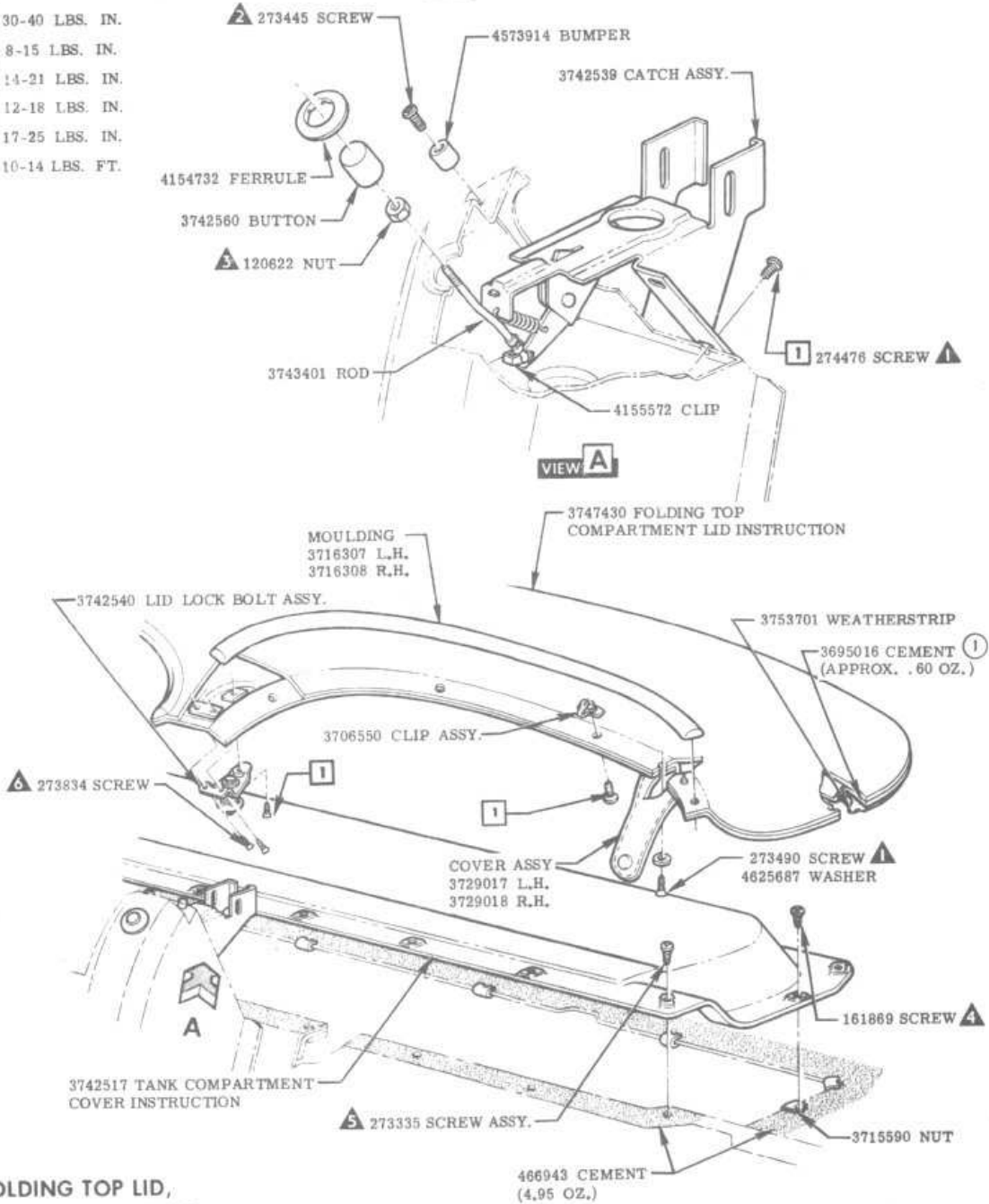
						NAME	CORVETTE INSTRUCTION MANUAL			
						REF. 19977	DRAWN ORR	CHECKED BUCK	SECT. E	SHEET 3.00
		RELEASED				DATE 6-19-59	PART No. 3774300			
DATE	SYM.	REVISION RECORD	AUTH.	DR.	CK.					

CHEVROLET MOTOR DIVISION



GENERAL MOTORS CORPORATION

- ▲ 30-40 LBS. IN.
- ▲ 8-15 LBS. IN.
- ▲ 14-21 LBS. IN.
- ▲ 12-18 LBS. IN.
- ▲ 17-25 LBS. IN.
- ▲ 10-14 LBS. FT.



**FOLDING TOP LID,  
& FUEL TANK COVER**

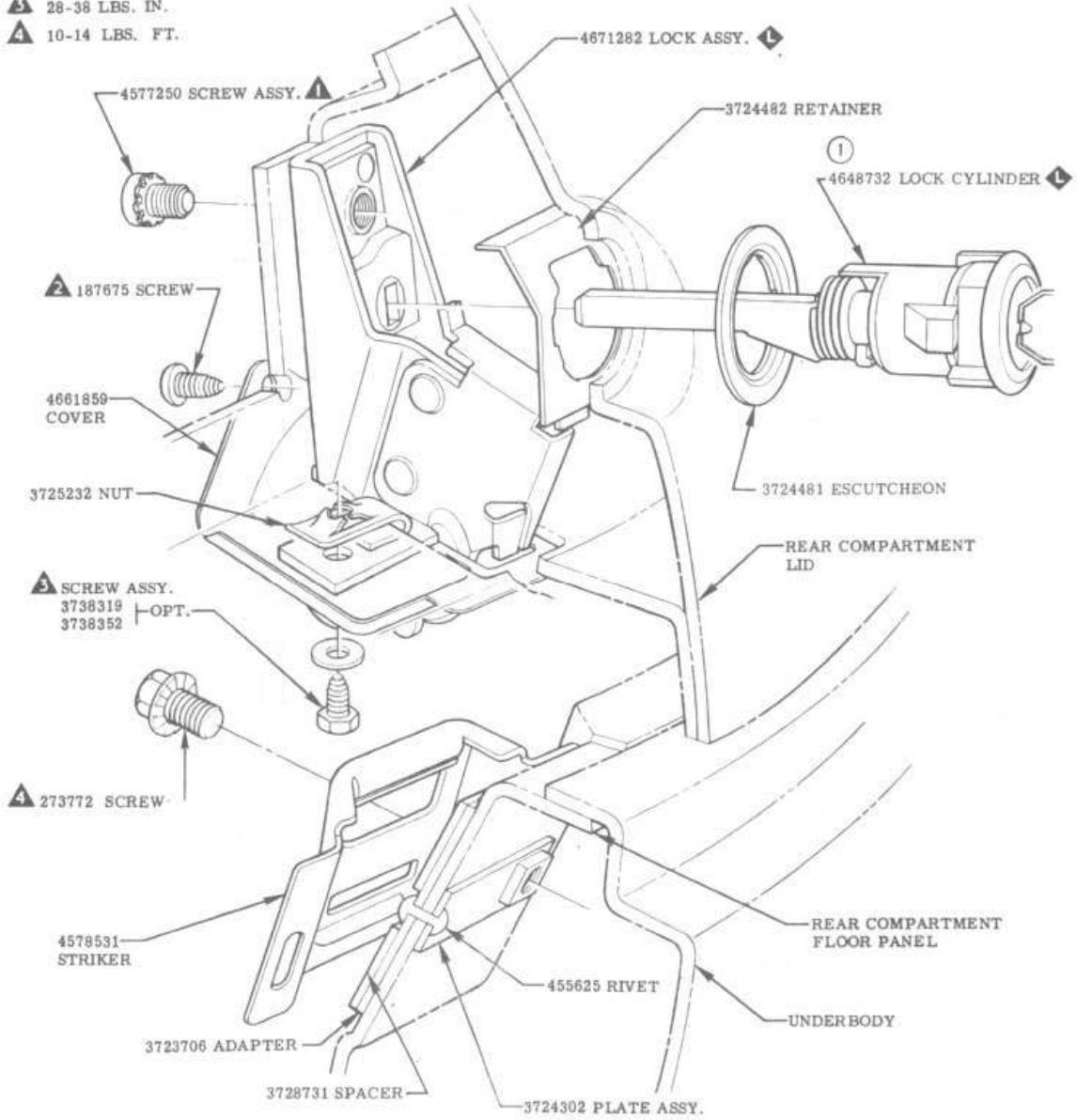
						CORVETTE INSTRUCTION MANUAL				
						NAME	DRAWN	CHECKED	SECT.	SHEET
11-18-59	1	WAS 3709786 CEMENT RELEASED	15941	CO	HB	19977	ORR	BUCK	E	4.00
DATE	SYM.	REVISION RECORD	AUTH.	DR.	CK.	DATE	PART No.			
						5-25-59	3774300			

CHEVROLET MOTOR DIVISION



GENERAL MOTORS CORPORATION

- ▲ 32-40 LBS. IN.
- ▲ 10-12 LBS. IN.
- ▲ 28-38 LBS. IN.
- ▲ 10-14 LBS. FT.



REAR COMPARTMENT LID LOCK

					CORVETTE INSTRUCTION MANUAL					
DATE	SYM.	REVISION RECORD	AUTH.	DR.	CK.	REF.	DRAWN	CHECKED	SECT.	SHEET
10-26-59	1	WAS 4643732 RELEASED	---	CO	F	19977	ORR	BUCK	E	5.00
						DATE	PART No. 3774300			
						6-3-59				

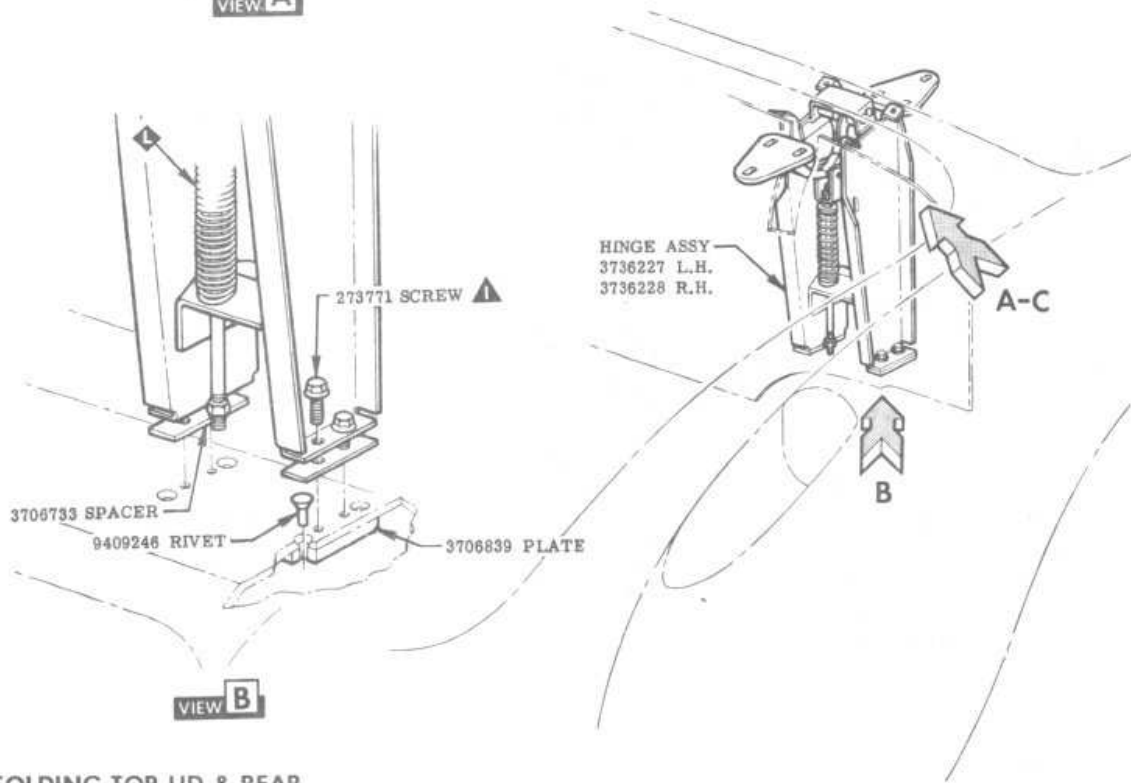
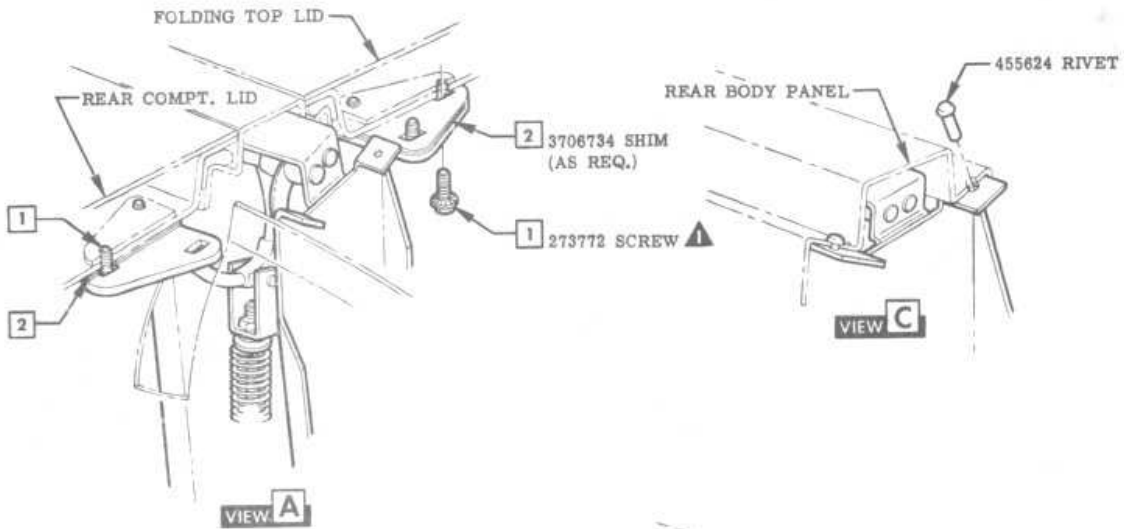


CHEVROLET MOTOR DIVISION



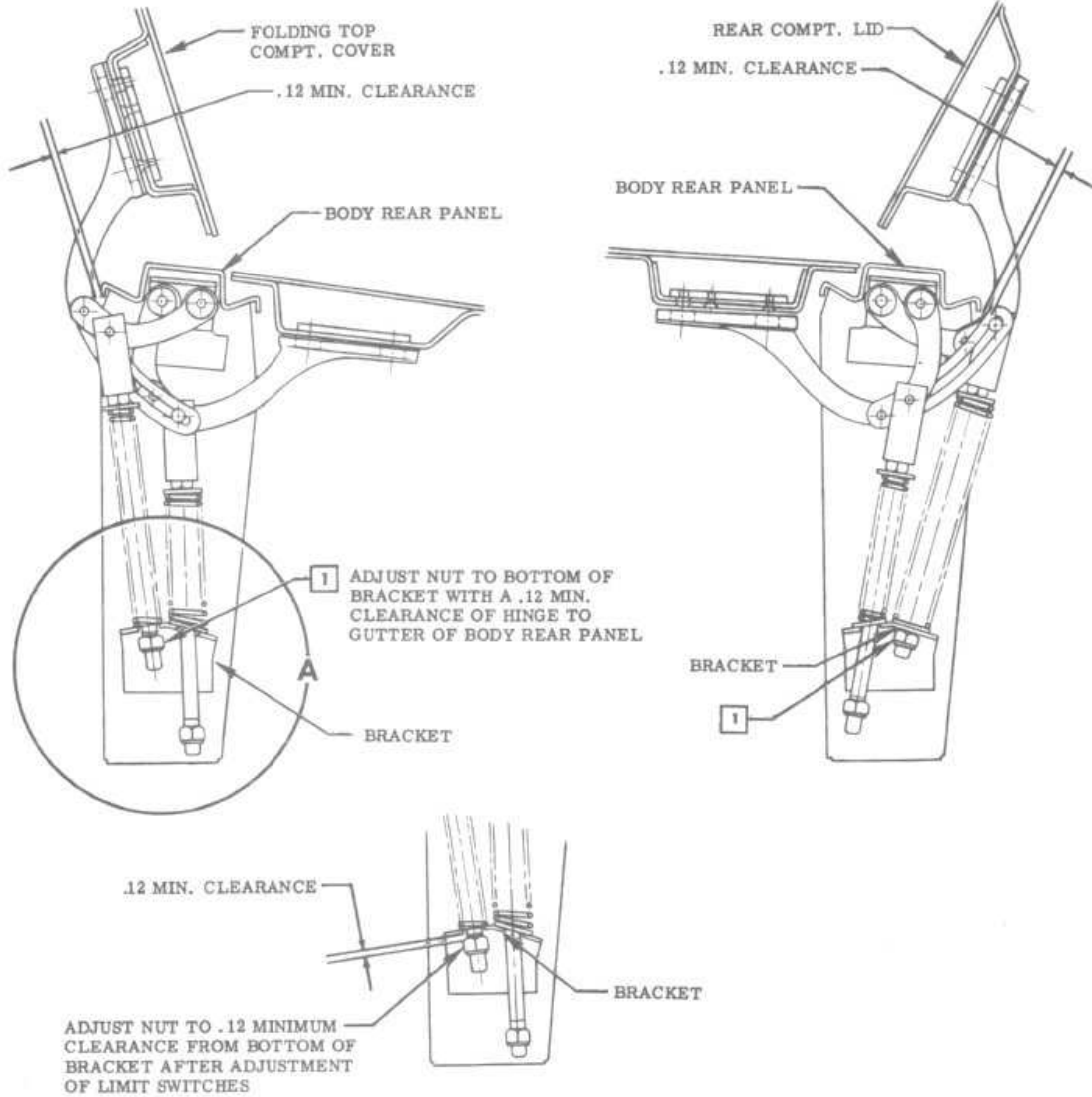
GENERAL MOTORS CORPORATION

▲ 10-14 LBS. FT.



FOLDING TOP LID & REAR  
COMPARTMENT LID HINGE

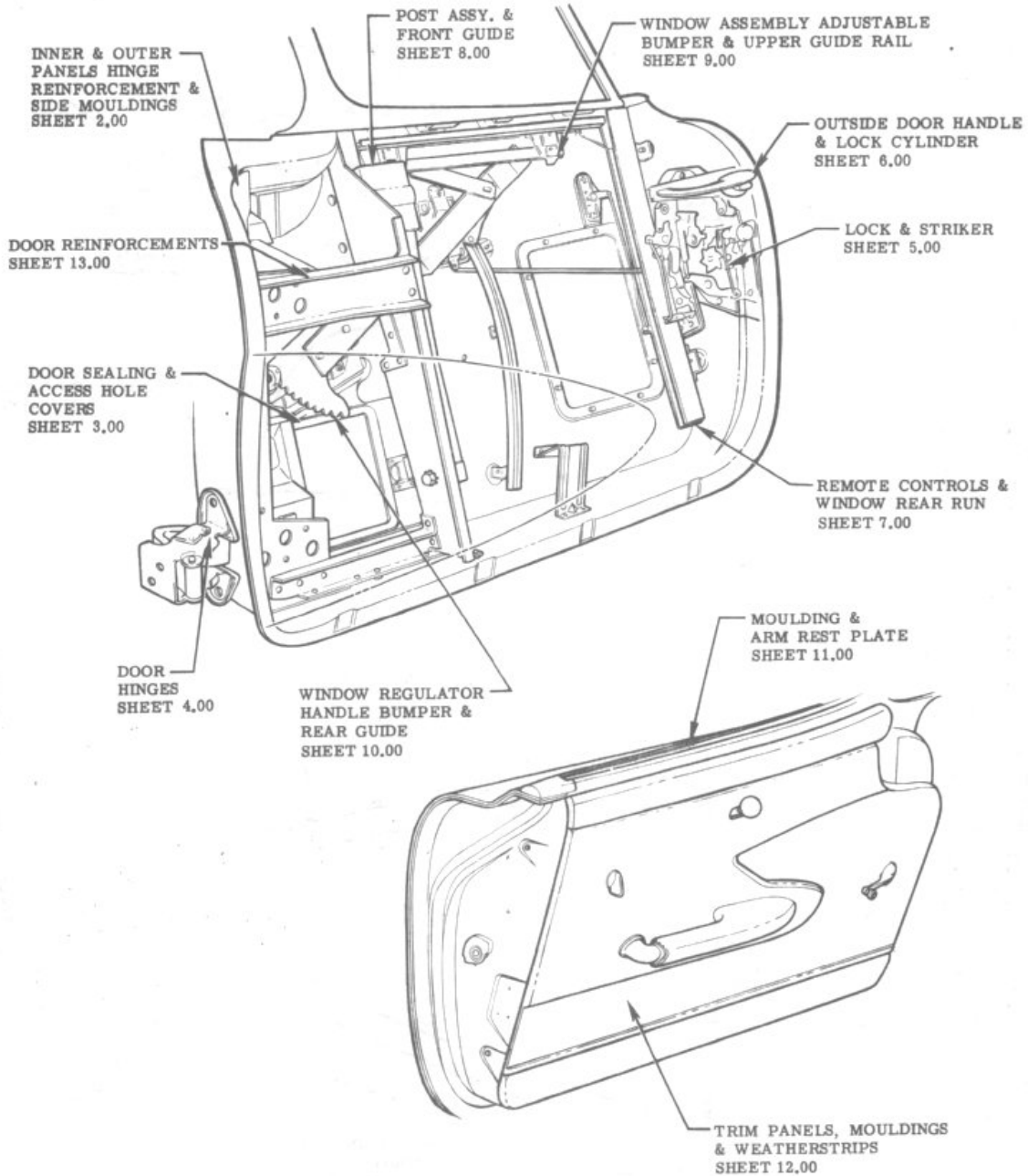
				CORVETTE INSTRUCTION MANUAL			
				NAME			
				REF.	DRAWN	CHECKED	SECT.
				19977	ORR	BUCK	E
				DATE	PART No.		
				8-3-59	3774300		
DATE	SYM.	REVISION RECORD	AUTH. DR. CK.	SHEET			
				6.00			



VIEW **A**  
RPO 473

**HINGE ADJUSTMENT**

				NAME				CORVETTE INSTRUCTION MANUAL					
				REF.	19977	DRAWN	ORR	CHECKED	BUCK	SECT.	E	SHEET	7.00
RELEASED				DATE	5-25-59	PART No. 3774300							
DATE	SYM.	REVISION RECORD	AUTH.	DR.	CK.								



SIDE DOOR INDEX

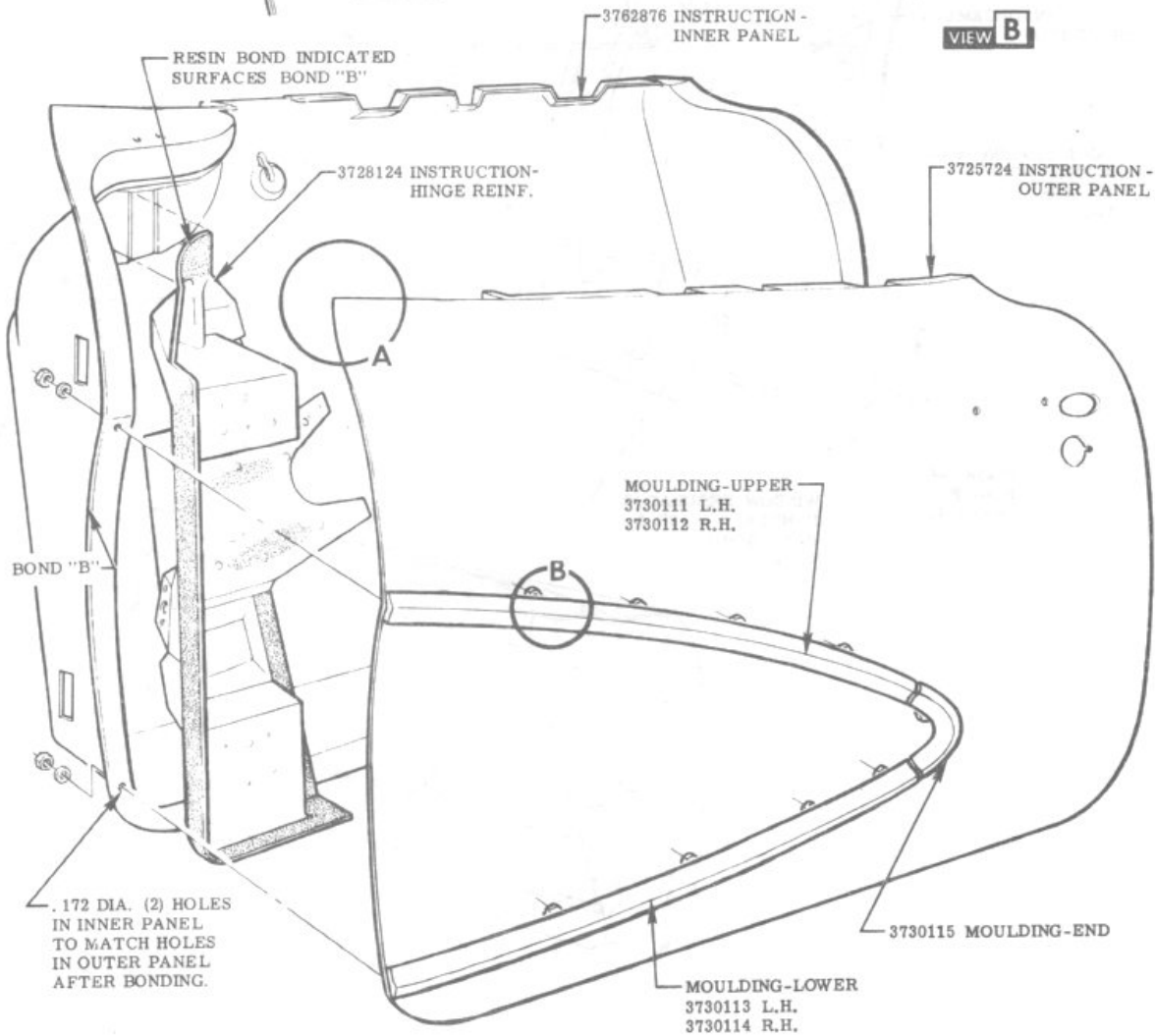
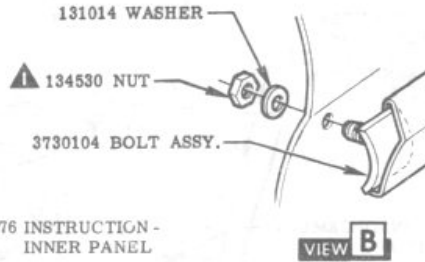
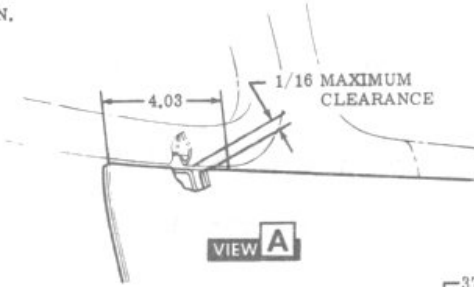
				CORVETTE INSTRUCTION MANUAL					
				NAME	DRAWN	CHECKED	SECT.	SHEET	
				REF. 19977	ORR	BUCK	F	1.00	
		RELEASED		DATE 5-28-59	PART No.	3 7 7 4 3 0 0			
DATE	SYM.	REVISION RECORD	AUTH.	DR.	CK.				

CHEVROLET MOTOR DIVISION



GENERAL MOTORS CORPORATION

▲ 9-15 LBS. IN.



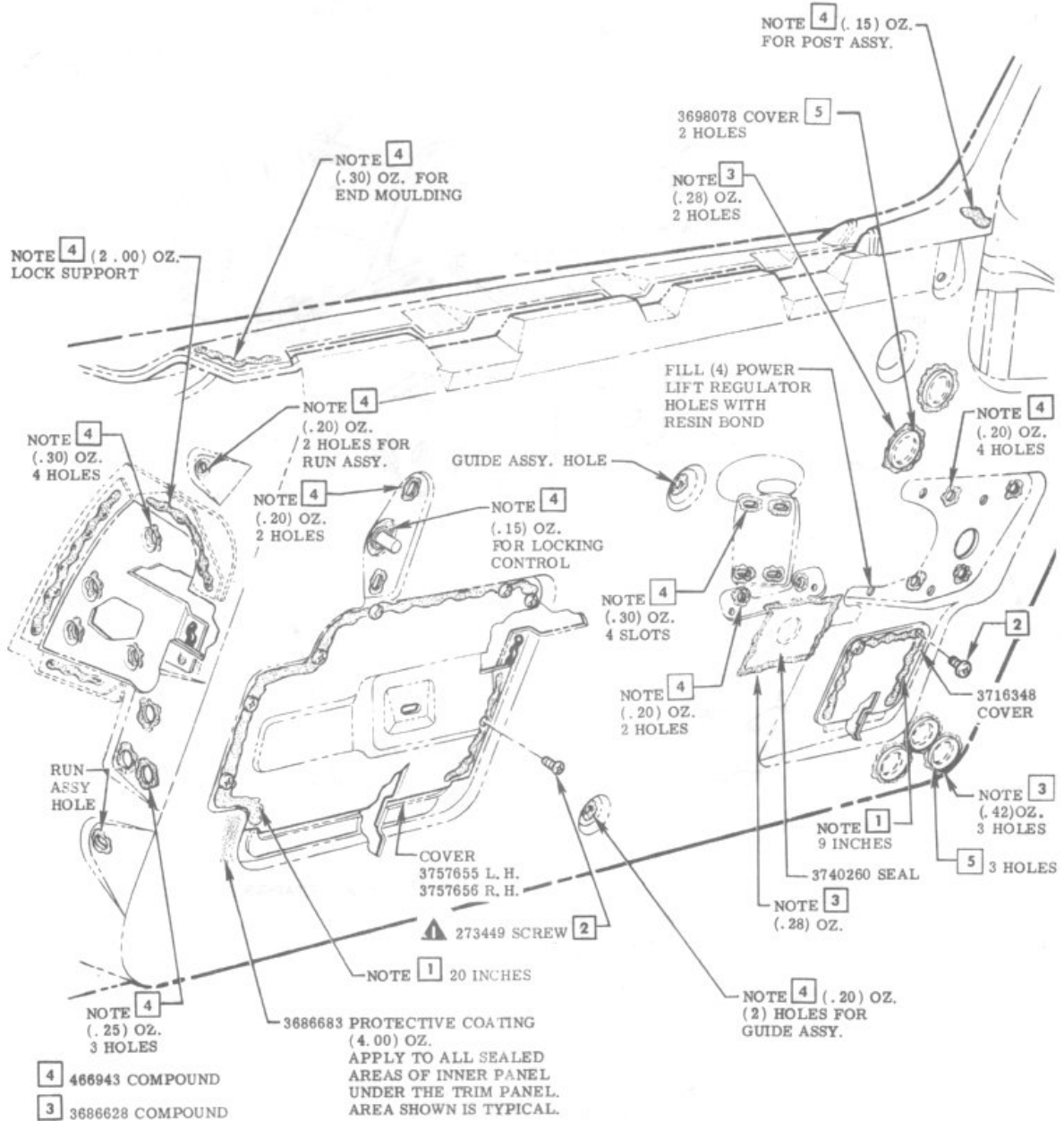
**INNER & OUTER PANELS, HINGE REINFORCEMENT & SIDE MOULDINGS**

				NAME CORVETTE INSTRUCTION MANUAL				
				REF. 19977	DRAWN ORR	CHECKED BUCK	SECT. F	SHEET 2.00
RELEASED				DATE 6-19-59	PART No. 3774300			
DATE	SYM.	REVISION RECORD	AUTH.	DR.	CK.			

F2 Inner Outer Panels Hinge Reinforcement Side Mouldings



▲ 15 - 20 LBS. IN.



- 4 466943 COMPOUND
- 3 3686628 COMPOUND
- 1 3736295 COMPOUND ⑥

**DOOR SEALINGS & ACCESS HOLE COVERS**

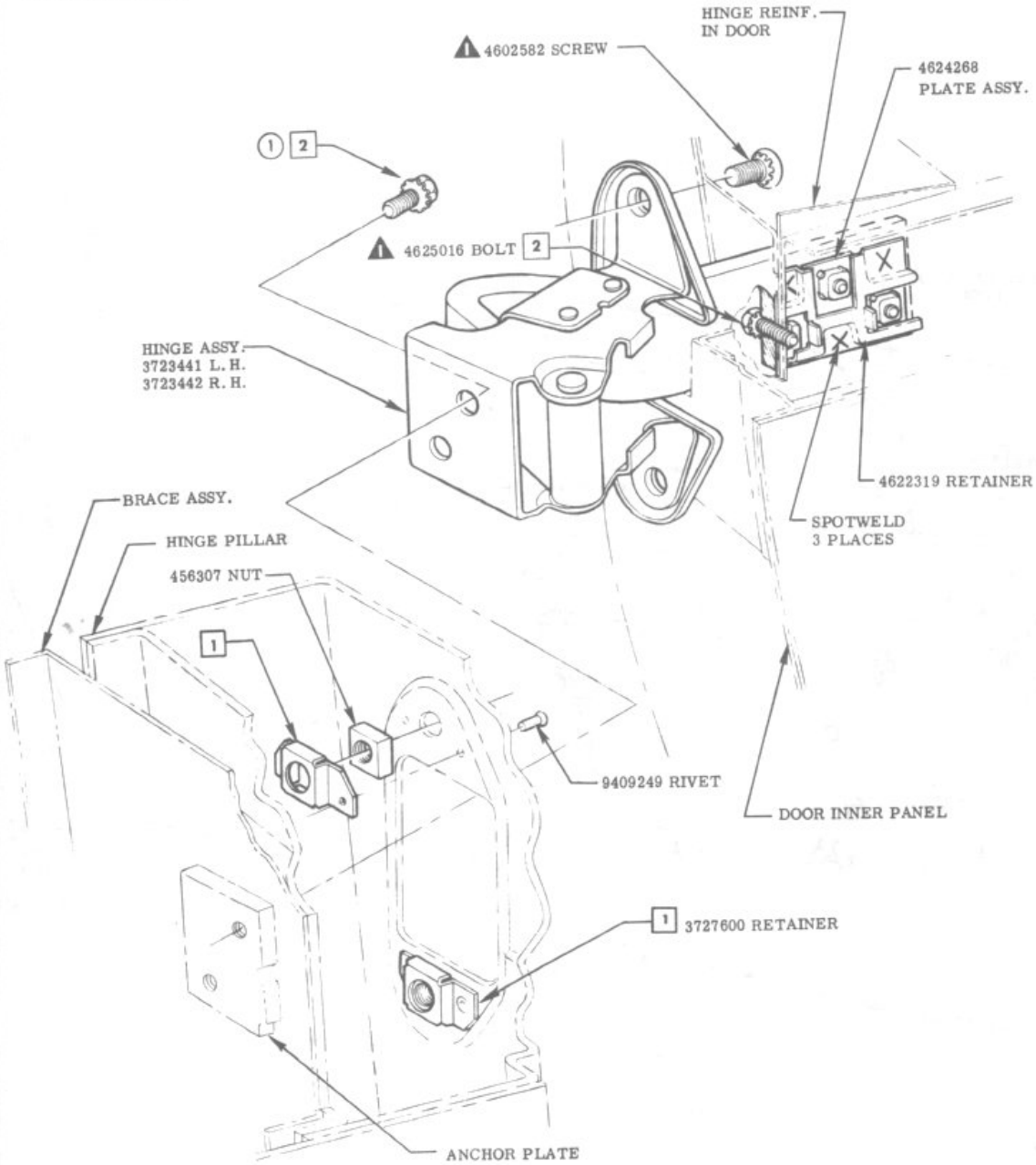
CORVETTE INSTRUCTION MANUAL										
DATE	SYM.	REVISION RECORD	AUTH.	DR.	CK.	NAME	DRAWN	CHECKED	BUCK	SHEET
10-27-59	6	WAS 3710409	15942	CO	F	REF. 19977	ORR			F 3.00
						DATE 5-26-59	PART No. 3774300			

CHEVROLET MOTOR DIVISION



GENERAL MOTORS CORPORATION

▲ 20-25 LBS. FT.



**DOOR HINGE**

				NAME				CORVETTE INSTRUCTION MANUAL		
DATE	SYM.	REVISION RECORD	AUTH.	DR.	CK.	REF.	DRAWN	CHECKED	SECT.	SHEET
4-1-60	1	WAS 4559284 BOLT RELEASED	27495	CO	F	19977	ORR	BUCK	F	4.00
						DATE	PART No.			
						6-9-59	3774300			

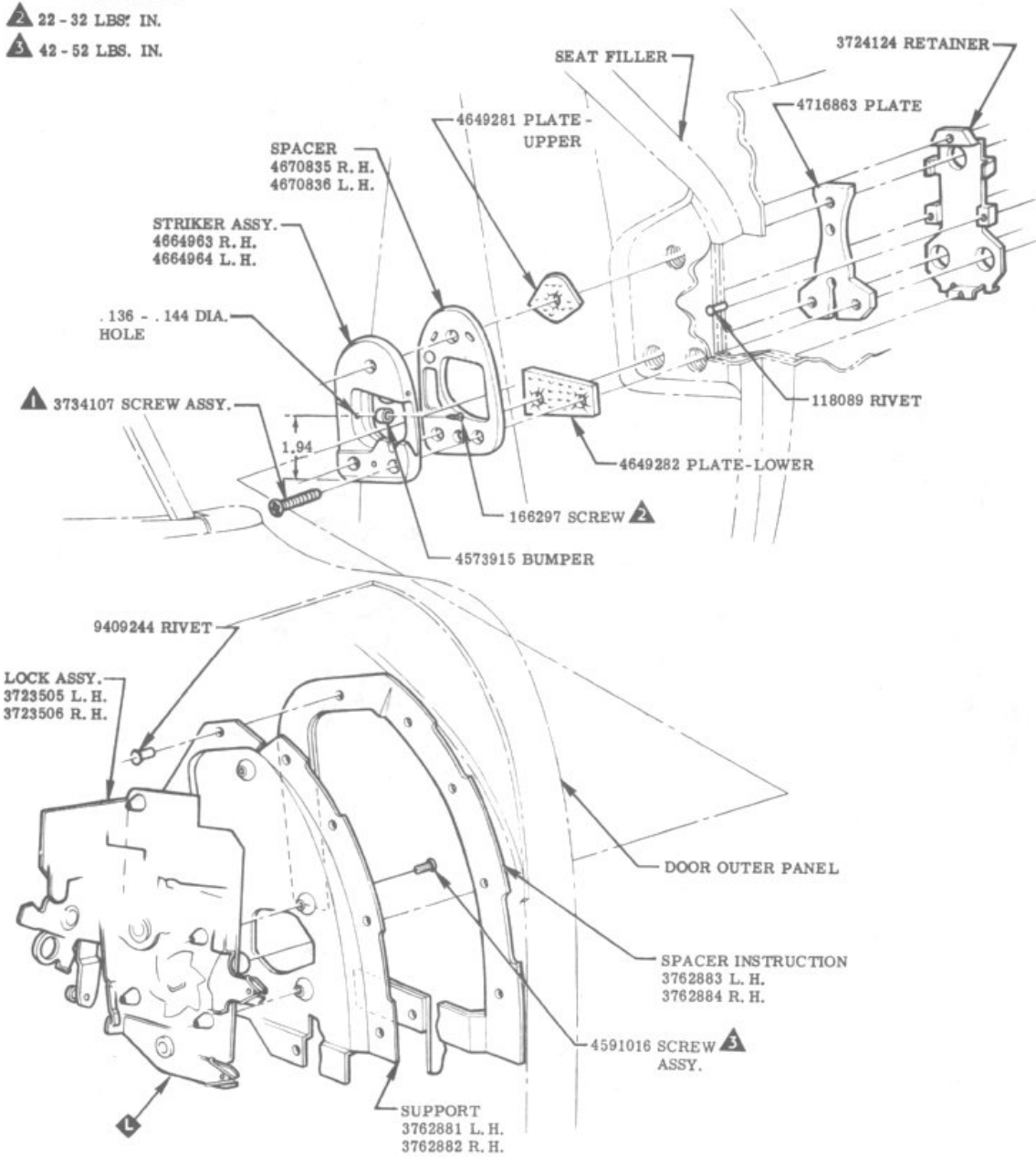
F4 Door Hinge

CHEVROLET MOTOR DIVISION



GENERAL MOTORS CORPORATION

- ▲ 110 - 140 LBS. IN.
- ▲ 22 - 32 LBS. IN.
- ▲ 42 - 52 LBS. IN.



**LOCK & STRIKER**

					NAME					CORVETTE INSTRUCTION MANUAL				
					REF.		DRAWN		CHECKED		SECT.		SHEET	
					19977		ORR		BUCK		F		5.00	
					DATE		PART No.							
					6-3-59		3774300							
DATE	SYM.	REVISION RECORD	AUTH.	DR.	CK.									

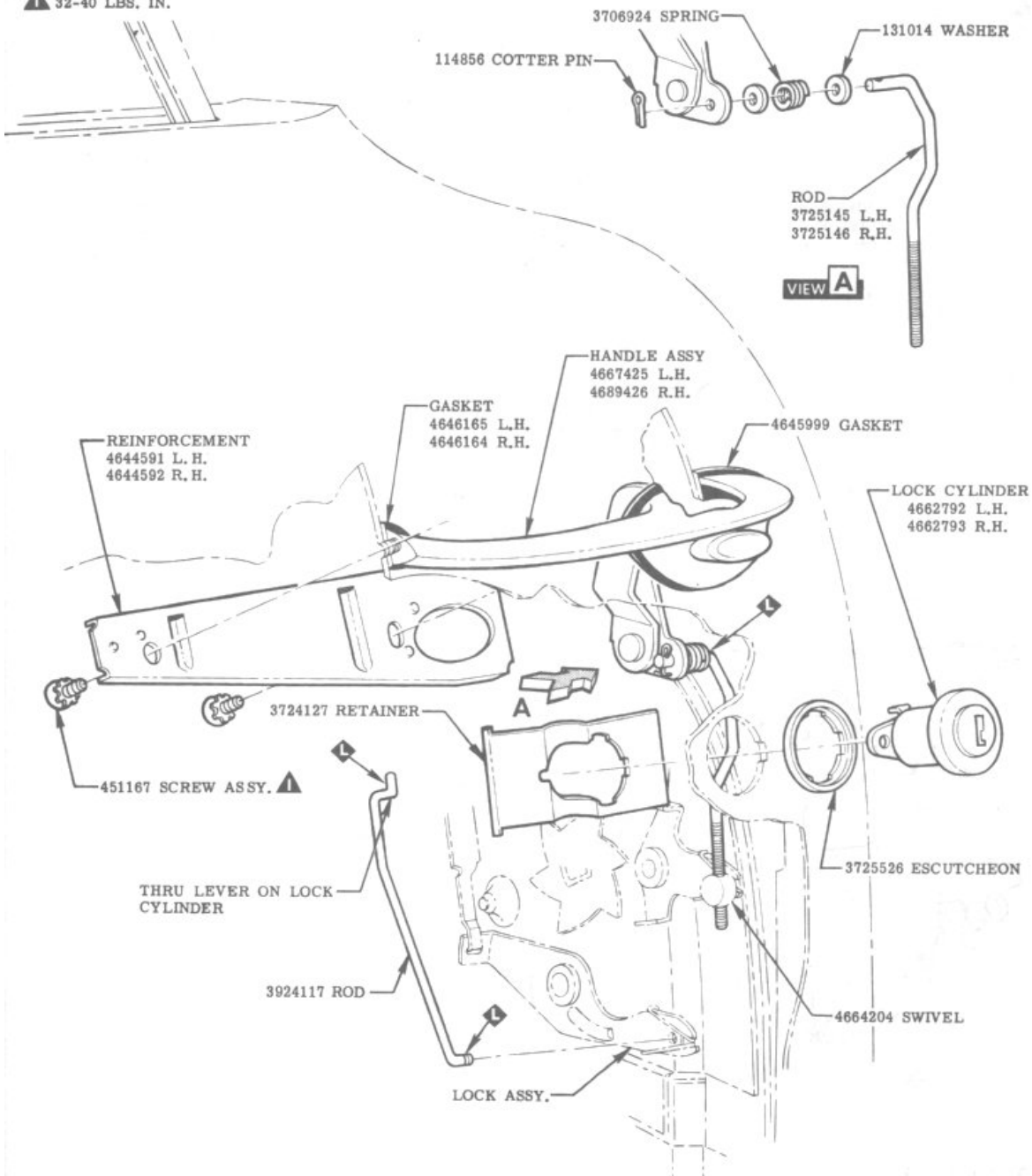


CHEVROLET MOTOR DIVISION



GENERAL MOTORS CORPORATION

▲ 32-40 LBS. IN.



**OUTSIDE DOOR HANDLE & LOCK CYLINDER**

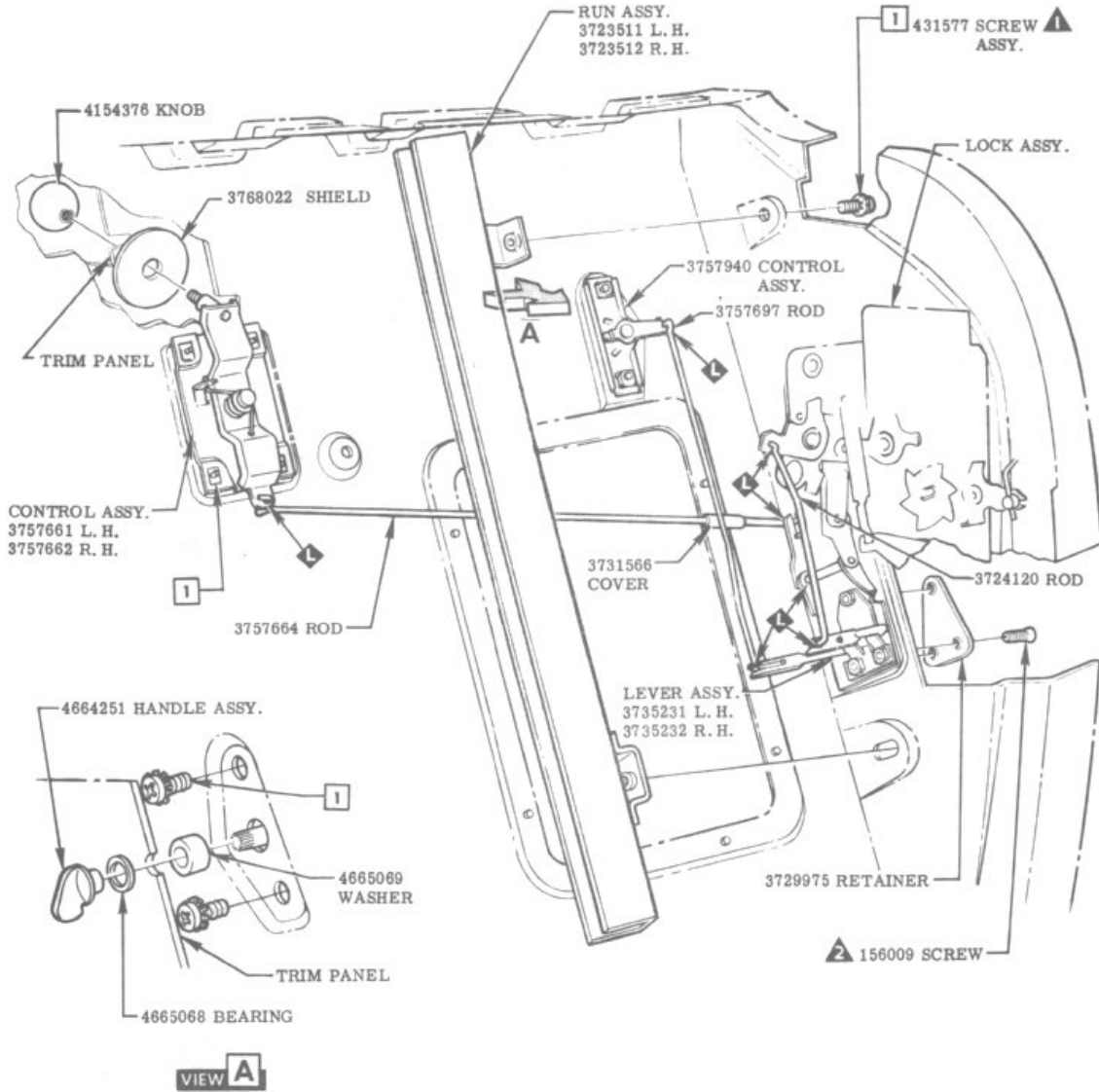
				NAME				CORVETTE INSTRUCTION MANUAL			
				REF.	DRAWN	ORR	CHECKED	BUCK	SECT.	SHEET	
				19977					F		6.00
				DATE	PART No.						
				6-3-59	3 7 7 4 3 0 0						
DATE	SYM.	REVISION RECORD	AUTH.	DR.	CK.						

F6 Outside Door Handle Lock Cylinder



▲ 32 - 40 LBS. IN.

▲ 25 - 35 LBS. IN.



REMOTE CONTROL & WINDOW REAR RUN

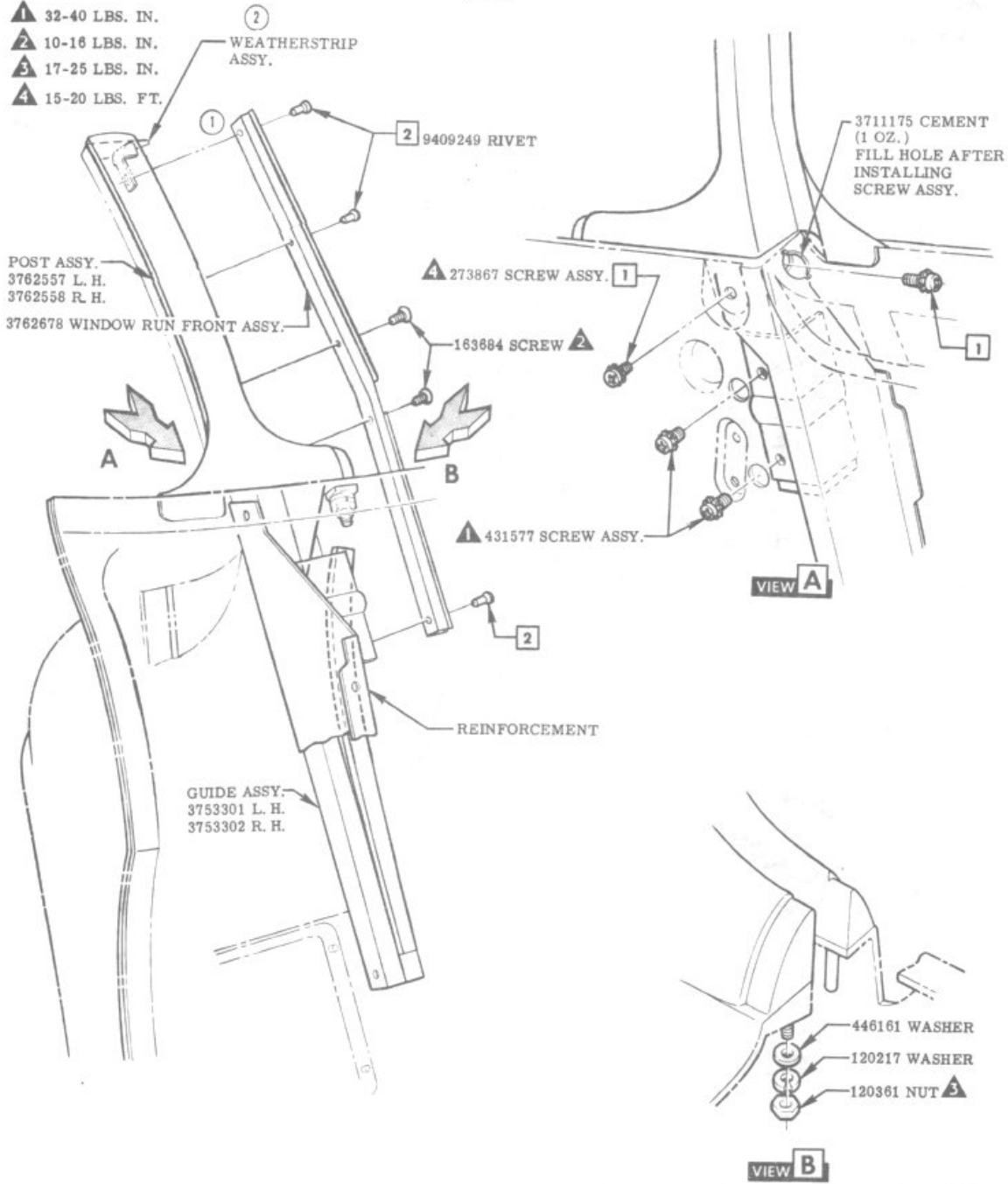
					NAME					CORVETTE INSTRUCTION MANUAL				
					REF.		DRAWN		CHECKED		SECT.		SHEET	
					19977		ORR		BUCK		F		7.00	
					DATE					PART No.				
					6-17-59					3774300				
DATE	SYM.	REVISION RECORD			AUTH.	DR.	CK.							
RELEASED														

CHEVROLET MOTOR DIVISION



GENERAL MOTORS CORPORATION

- ▲ 32-40 LBS. IN.
- ▲ 10-16 LBS. IN.
- ▲ 17-25 LBS. IN.
- ▲ 15-20 LBS. FT.



**POST ASSEMBLY & FRONT GUIDE**

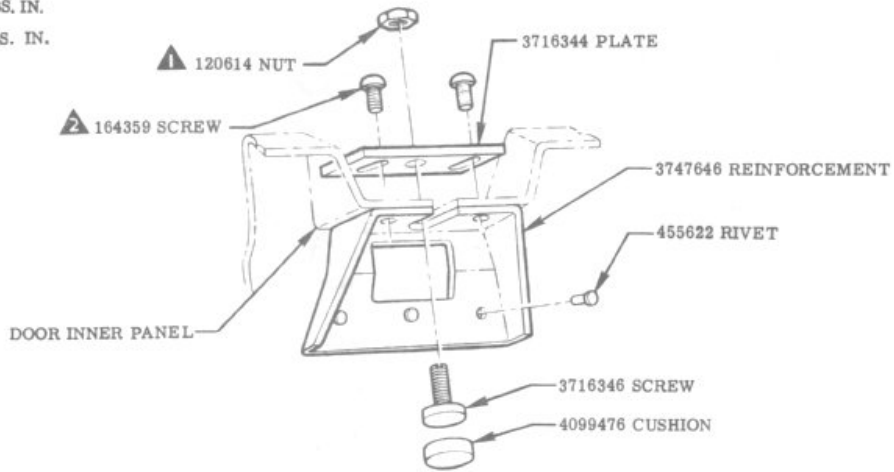
DATE		SYM.	REVISION RECORD	AUTH.	DR.	CK.	NAME	CORVETTE INSTRUCTION MANUAL				
9-28-59	2		PICTURE REVISED, NOTE ADDED				F	REF. 19977	DRAWN ORR	CHECKED BUCK	SECT. F	SHEET 8.00
9-4-59	1		3736167 SEAL REMOVED RELEASED	15916			B	DATE 6-23-59	PART No. 3774300			

CHEVROLET MOTOR DIVISION

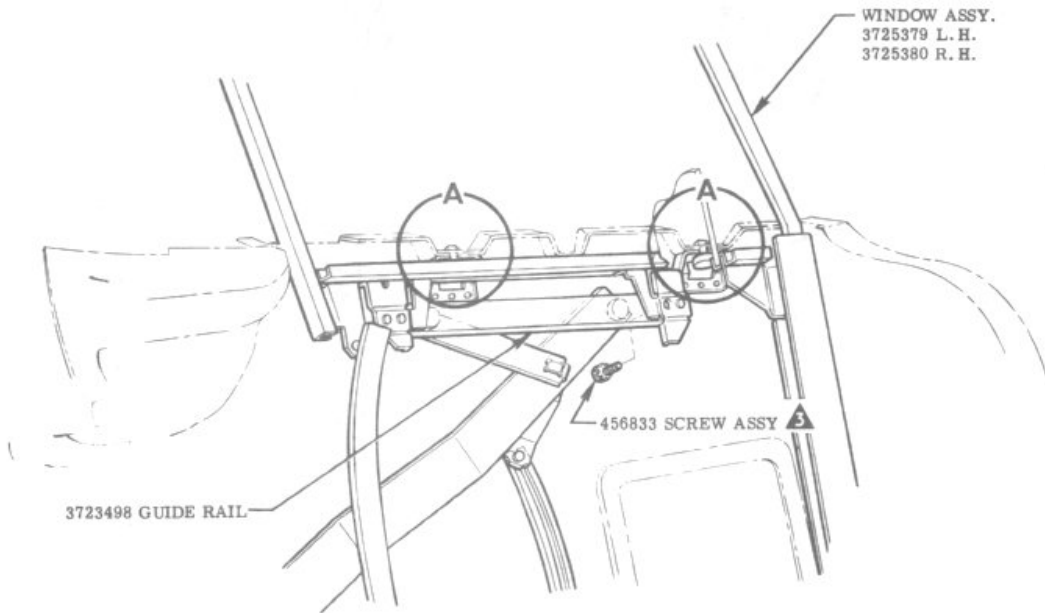


GENERAL MOTORS CORPORATION

- ▲ 1 23-35 LBS. IN.
- ▲ 2 20-25 LBS. IN.
- ▲ 3 14-21 LBS. IN.



VIEW A



**WINDOW ASSEMBLY, ADJUSTABLE BUMPER & UPPER GUIDE RAIL**

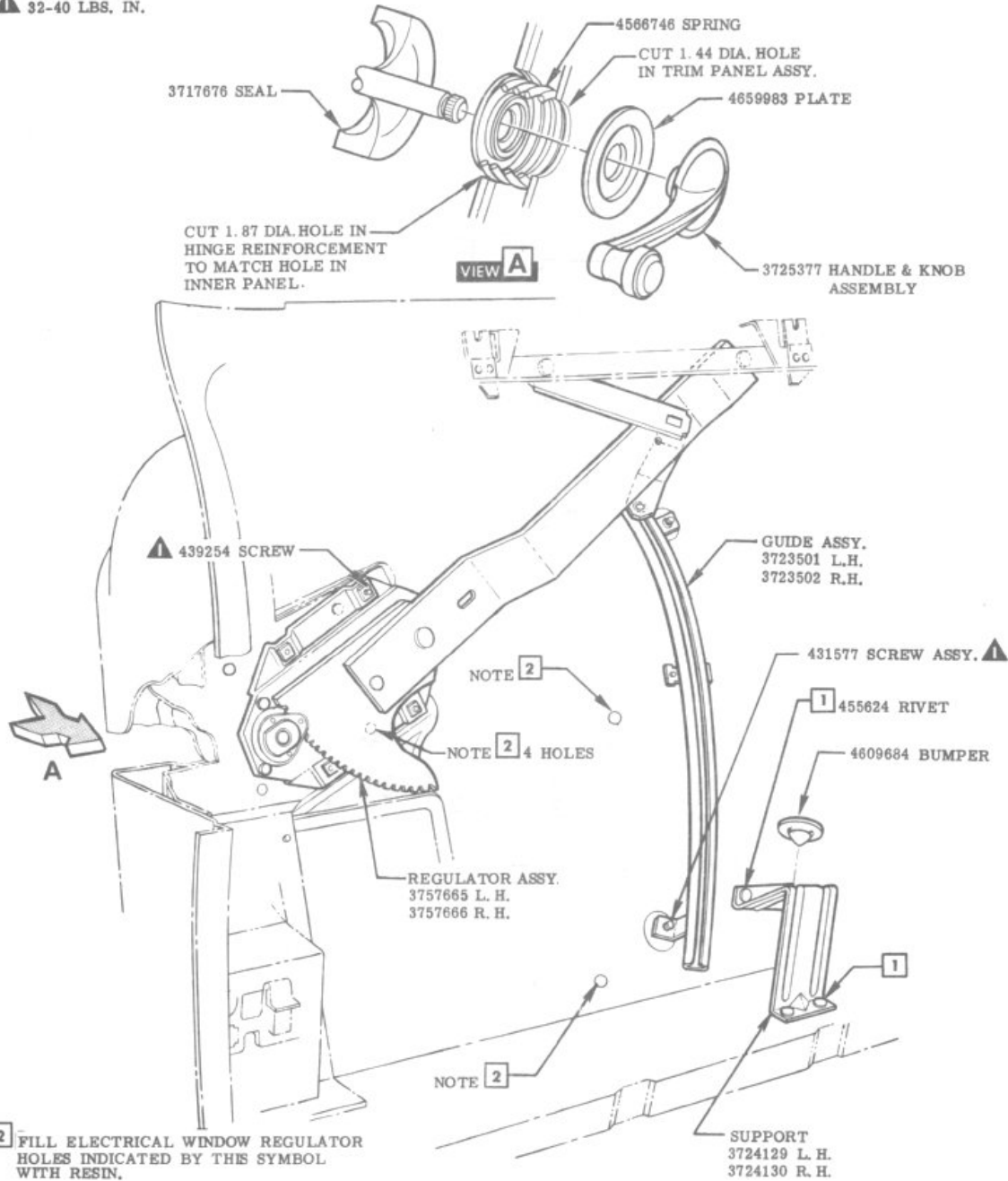
				NAME				CORVETTE INSTRUCTION MANUAL			
				REF.	DRAWN	CHECKED	SECT.	SHEET			
				19977	ORR	BUCK	F	9.00			
RELEASED				DATE	PART No.						
DATE	SYM.	REVISION RECORD	AUTH.	DR.	CK.	6-11-59	3774300				

CHEVROLET MOTOR DIVISION



GENERAL MOTORS CORPORATION

▲ 32-40 LBS. IN.



2 FILL ELECTRICAL WINDOW REGULATOR HOLES INDICATED BY THIS SYMBOL WITH RESIN.

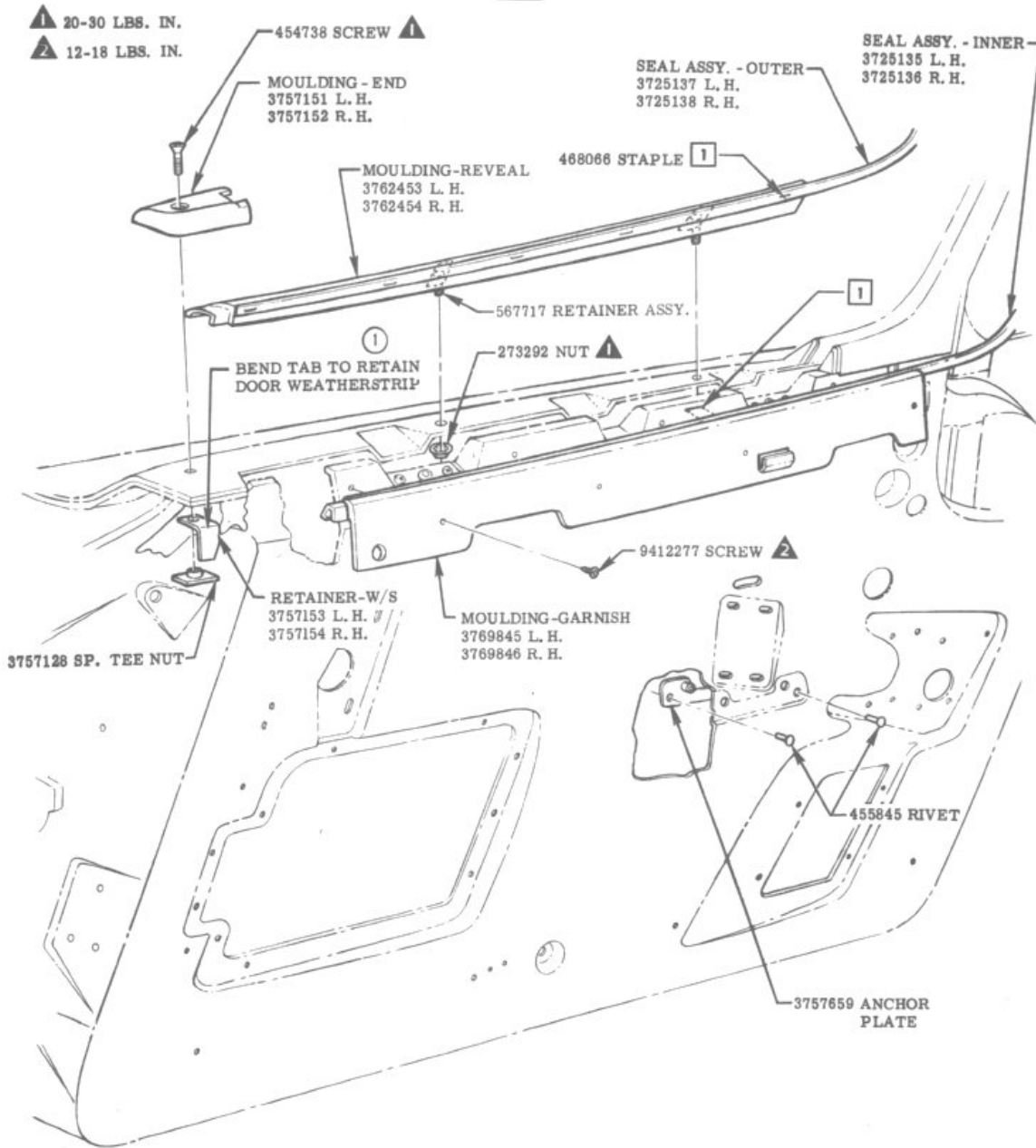
WINDOW REGULATOR, BUMPER & REAR GUIDE

				NAME				CORVETTE INSTRUCTION MANUAL			
				REF.	DRAWN	CHECKED	SECT.	SHEET			
				19977	ORR	BUCK	F	10.00			
				DATE	PART No.						
DATE	SYM.	REVISION RECORD	AUTH.	DR.	CK.	5-26-59	3774300				

CHEVROLET MOTOR DIVISION



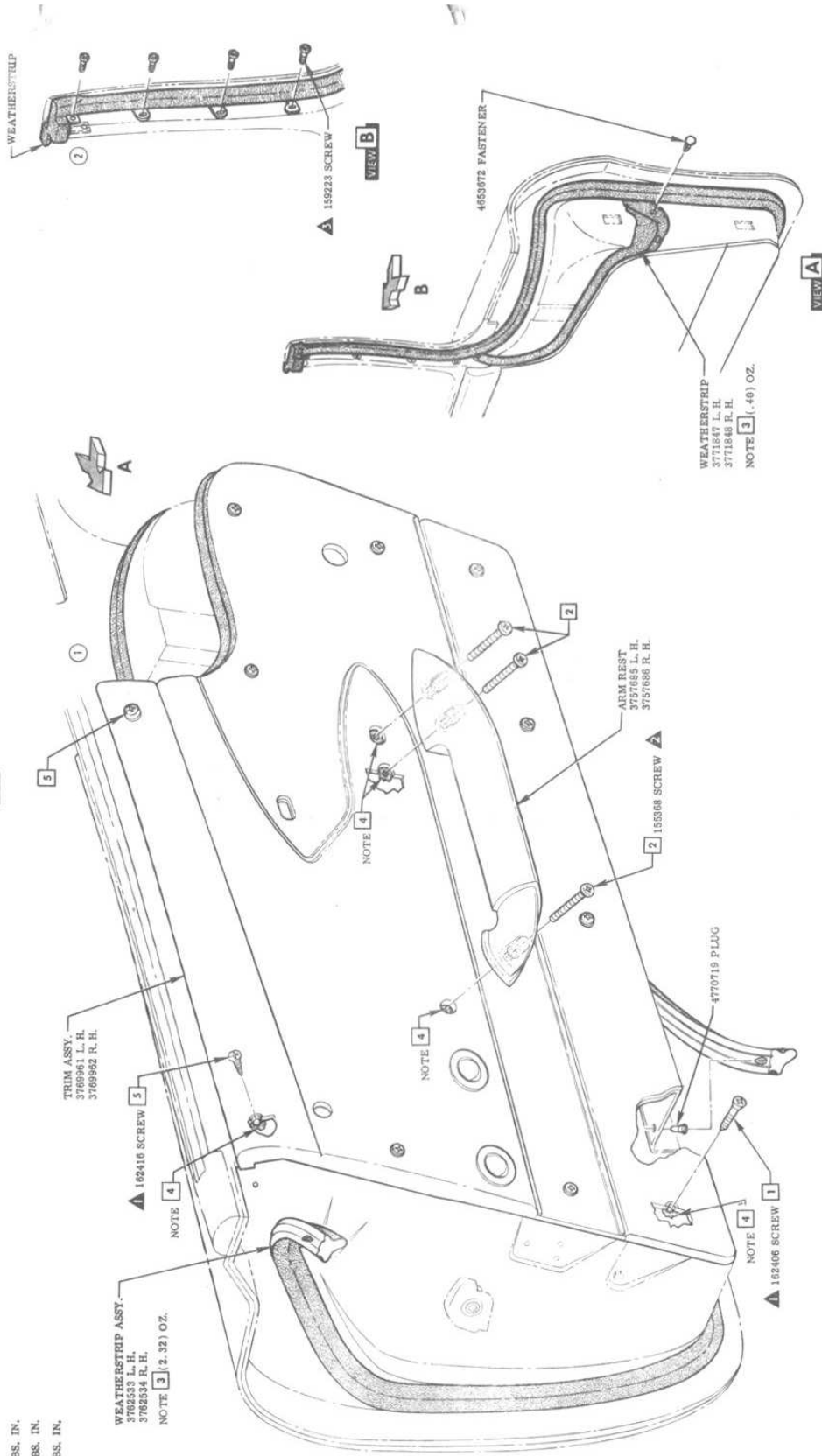
GENERAL MOTORS CORPORATION



**MOULDINGS & ARM REST PLATE**

				NAME					CORVETTE INSTRUCTION MANUAL	
DATE	SYM.	REVISION RECORD	AUTH.	DR.	CK.	REF.	DRAWN	CHECKED	SECT.	SHEET
9-29-59	1	NOTE ADDED RELEASED	---	CO	F	19977	ORR	BUCK	F	11.00
						DATE	PART No.			
						6-5-59	3774300			

- ▲ 8 - 12 LBS. IN.
- ▲ 32-40 LBS. IN.
- ▲ 10-14 LBS. IN.



WEATHERSTRIP ASSEMBLY  
3782533 L. H.  
3782534 R. H.  
NOTE 3 (2.32) OZ.

TRIM ASSEMBLY  
3769961 L. H.  
3769962 R. H.

ARM REST  
3757685 L. H.  
3757686 R. H.

WEATHERSTRIP  
3771847 L. H.  
3771848 R. H.  
NOTE 3 (.40) OZ.

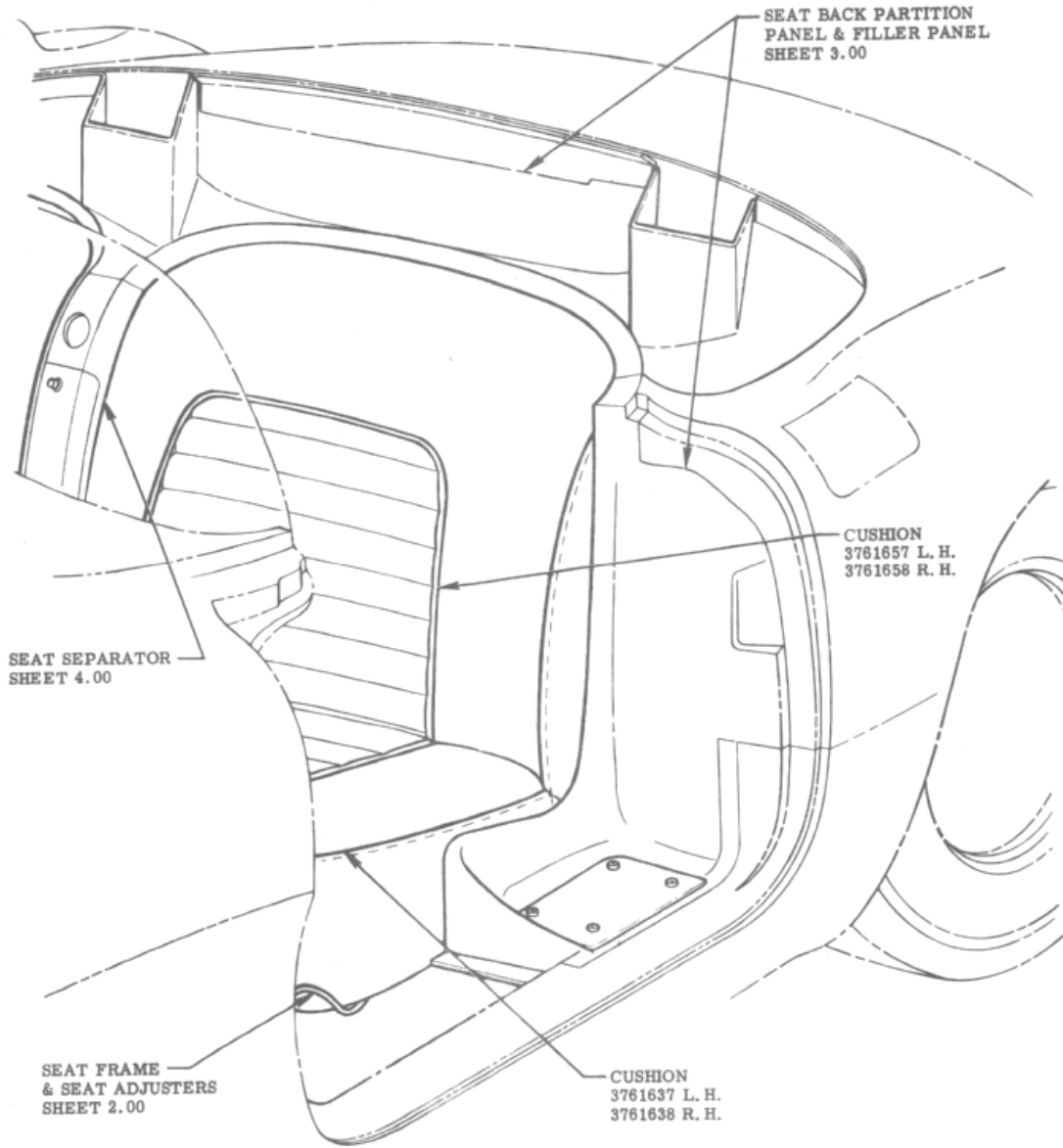
- 4 486943 COMPOUND (2.2) - OZ
- 3 3865016 CEMENT 1

TRIM PANEL, MOULDING & WEATHERSTRIPS

DATE	SYM.	REVISION RECORD	AUTH.	DL. CK.	DATE	ORR.	BUCK	SHEET
11-18-59	3	WAS 3709788	15941	CO	19077	ORR	F	12.00
9-28-59	2	PICTURE REVISED	---	CO	---	---	---	---
9-28-59	1	162406 SCREW REMOVED	---	---	---	---	---	---
		RELEASED						
		REVISION RECORD			6-11-59		3774300	







**SEATS INDEX**

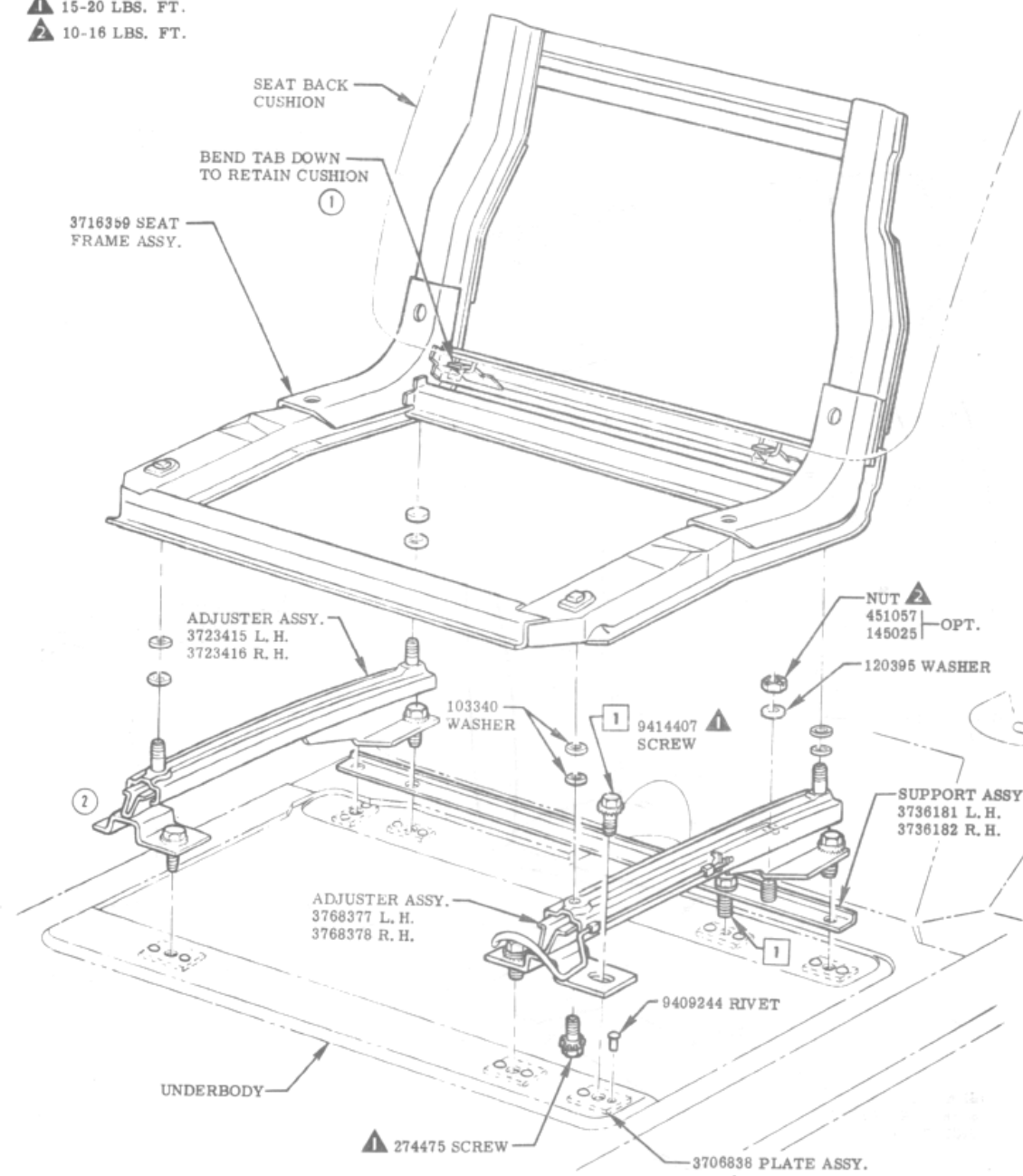
							NAME	CORVETTE INSTRUCTION MANUAL					
							REF.	DRAWN	ORR	CHECKED	BUCK	SECT.	SHEET
							19977					J	1.00
							DATE	PART No. 3 7 7 4 3 0 0					
DATE	SYM.	REVISION RECORD		AUTH.	DR.	CK.	5-26-59						

CHEVROLET MOTOR DIVISION



GENERAL MOTORS CORPORATION

- ▲ 15-20 LBS. FT.
- ▲ 10-16 LBS. FT.



**SEAT FRAME & SEAT ADJUSTERS**

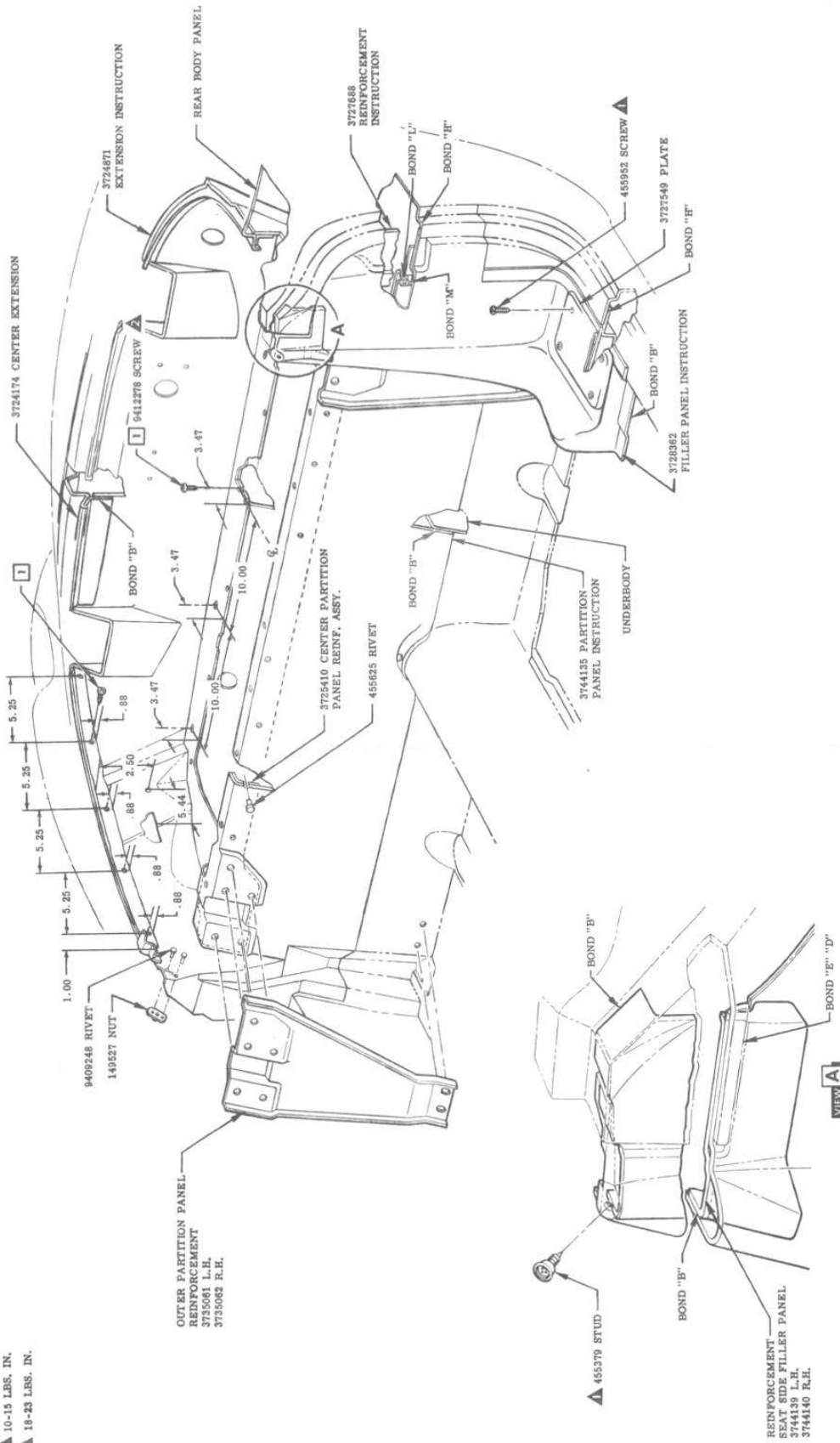
DATE	SYM.	REVISION RECORD	AUTH.	DR.	CK.	NAME	CORVETTE INSTRUCTION MANUAL			
11-11-59	2	PICTURE REVISED	15937	CO	HB	REF.	DRAWN	CHECKED	SECT.	SHEET
9-29-59	1	PICTURE REVISED, NOTE ADDED		CO	F	19977	ORR	BUCK	J	2.00
		RELEASED				DATE	PART No. 3774300			
						6-8-59				

CHEVROLET MOTOR DIVISION



GENERAL MOTORS CORPORATION

▲ 10-15 LBS. IN.  
▲ 18-23 LBS. IN.



DATE	SYM.	REVISION RECORD	AUTH.	DR.	CK.	DATE	RELEASED	ORR.	CHECKED	DRAWN	NAME
						6-19-59					1997T
											REF.
											CORVETTE INSTRUCTION MANUAL
											BUCK
											SECT.
											J
											SHEET
											3.00

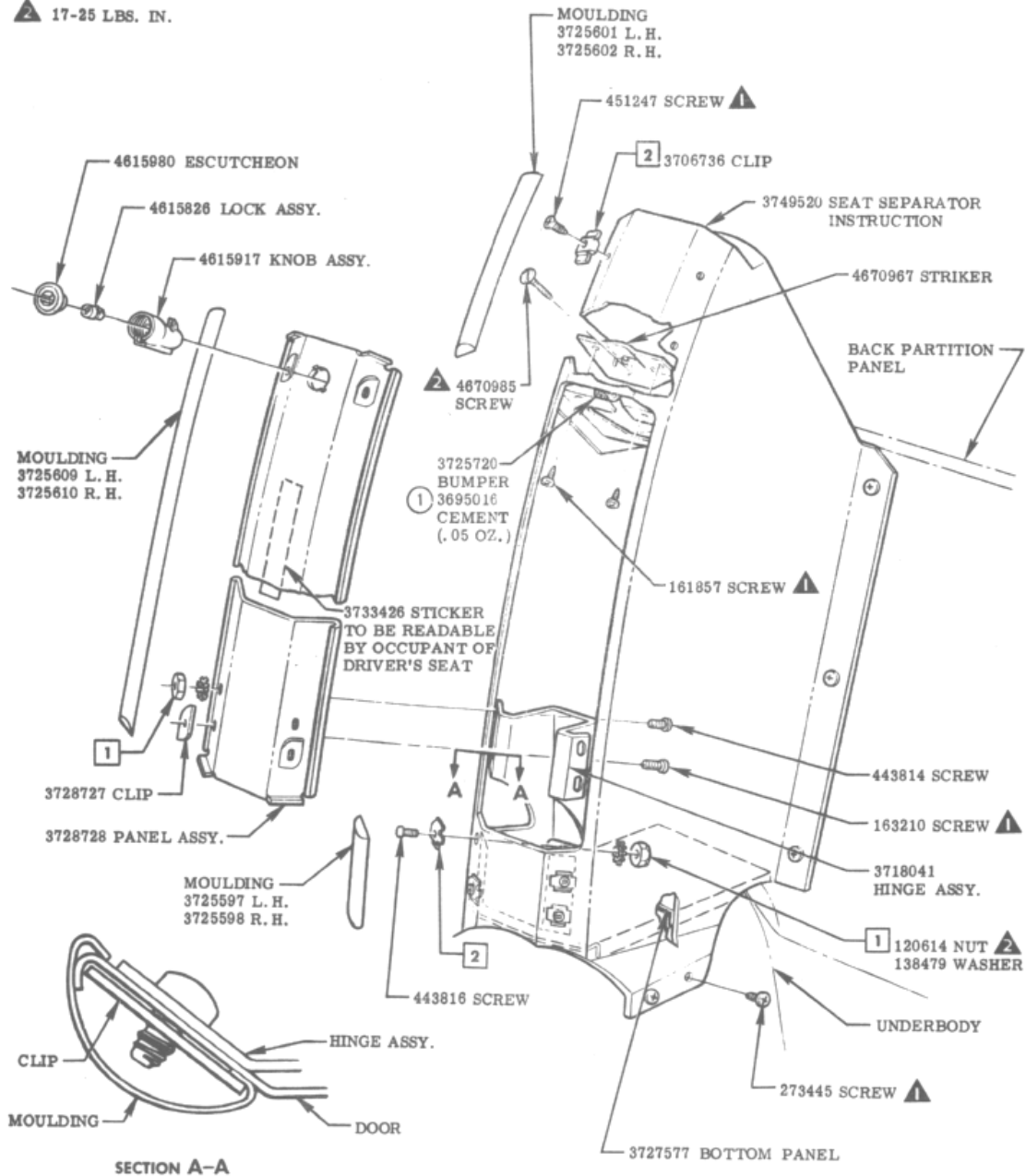
SEAT BACK PARTITION PANEL & FILLER PANEL

CHEVROLET MOTOR DIVISION



GENERAL MOTORS CORPORATION

- ▲ 10-15 LBS. IN.
- ▲ 17-25 LBS. IN.

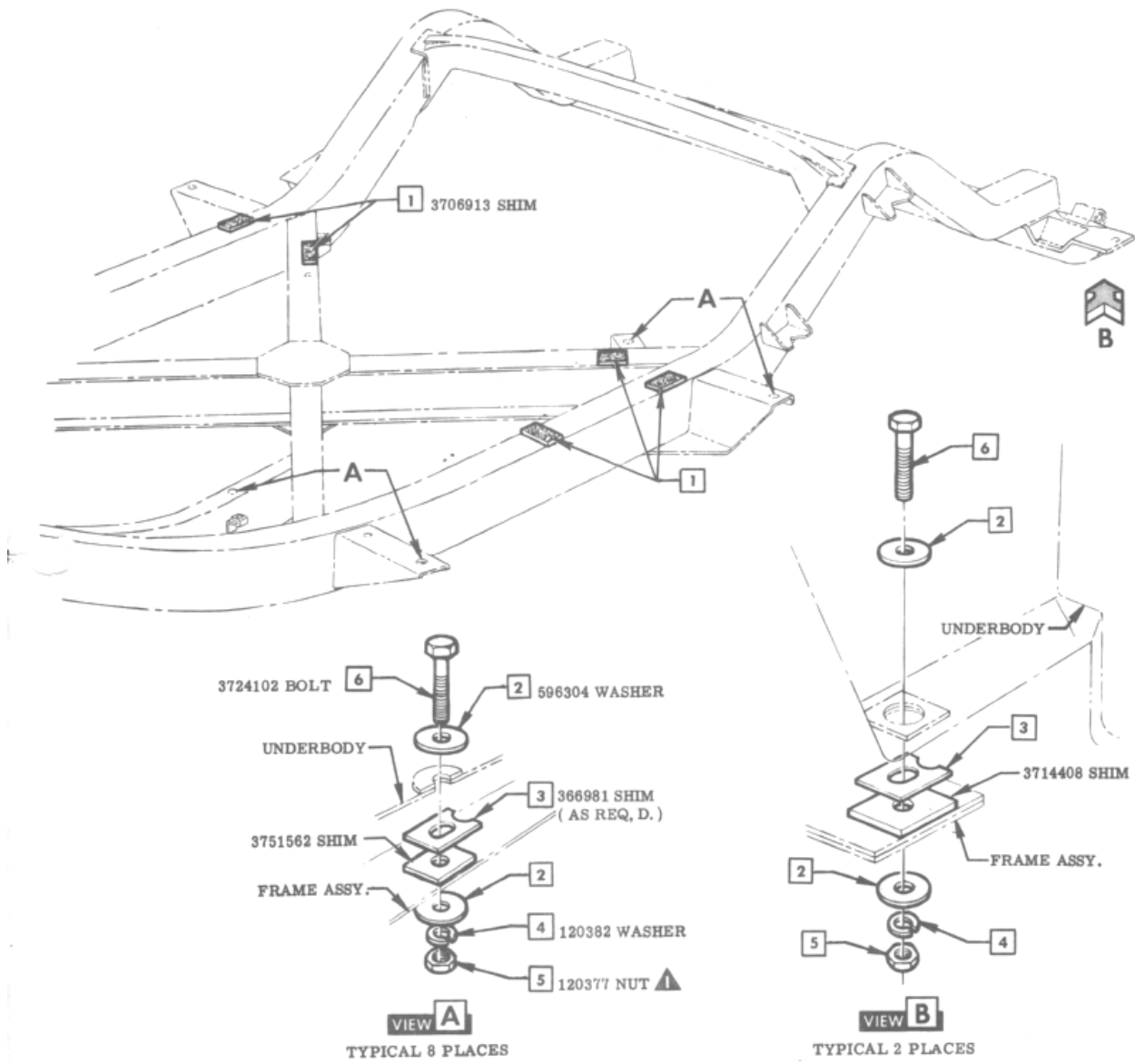


**SEAT SEPARATOR**

				NAME				CORVETTE INSTRUCTION MANUAL			
11-18-59	1	WAS 3709788 CEMENT RELEASED	15941	CO	HB	REF. 19977	DRAWN ORR	CHECKED BUCK	SECT. J	SHEET 4.00	
DATE	SYM.	REVISION RECORD	AUTH.	DR.	CK.	DATE 5-26-59	PART No. 3774300				



▲ 15-20 LBS. FT.



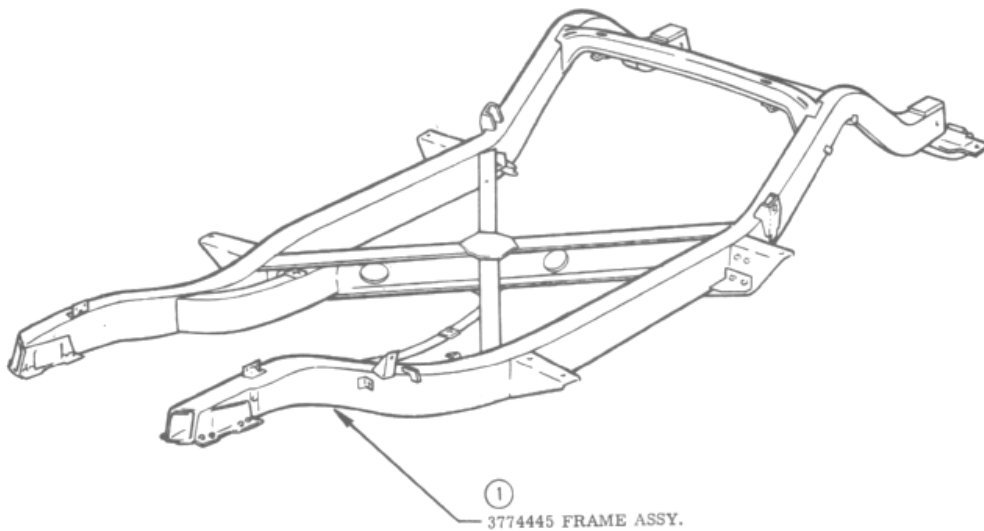
**BODY MOUNTING**

						NAME	CORVETTE INSTRUCTION MANUAL				
						REF.	19977	DRAWN SAUNDERS	CHECKED BUCK	SECT. 1	SHEET 1.00
		RELEASED				DATE	5-25-59	PART No. 3774300			
DATE	SYM.	REVISION RECORD	AUTH.	DR.	CK.						

CHEVROLET MOTOR DIVISION



GENERAL MOTORS CORPORATION



**FRAME ASSEMBLY**

						NAME	CORVETTE INSTRUCTION MANUAL			
						REF.	DRAWN	CHECKED	SECT.	SHEET
7-28-59	1	WAS 3760615	19889	WS	F	19977	SHAFFER	BUCK	2	1.00
		RELEASED				DATE	PART No. 3774300			
DATE	SYM.	REVISION RECORD	AUTH.	DR.	CK.	5-25-59				

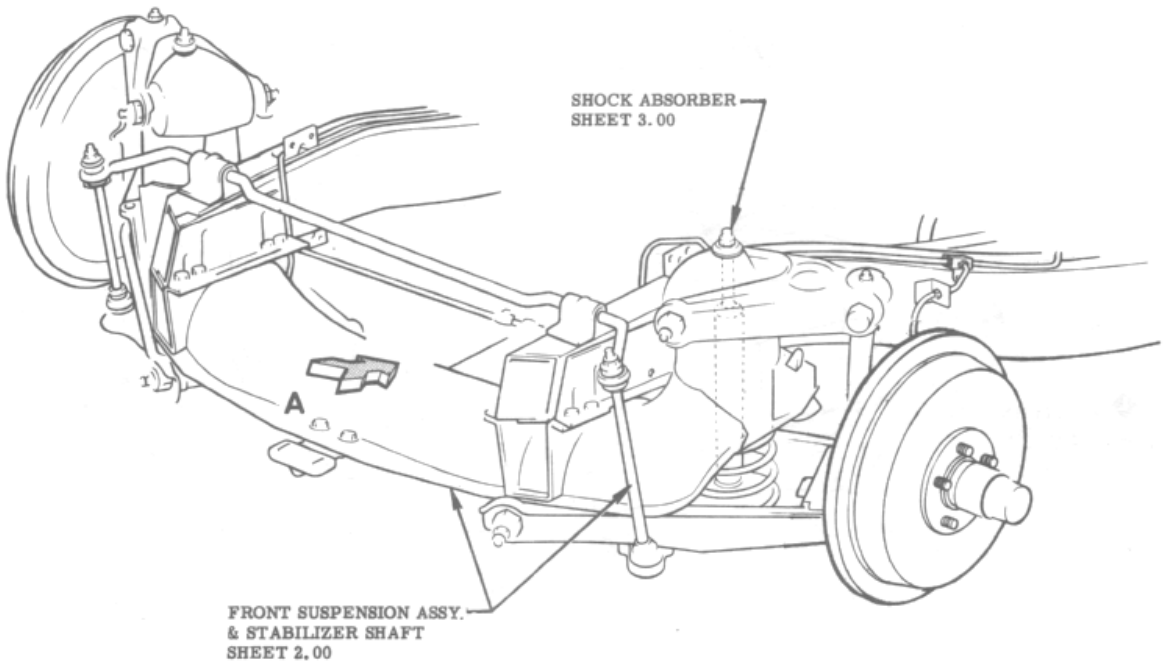
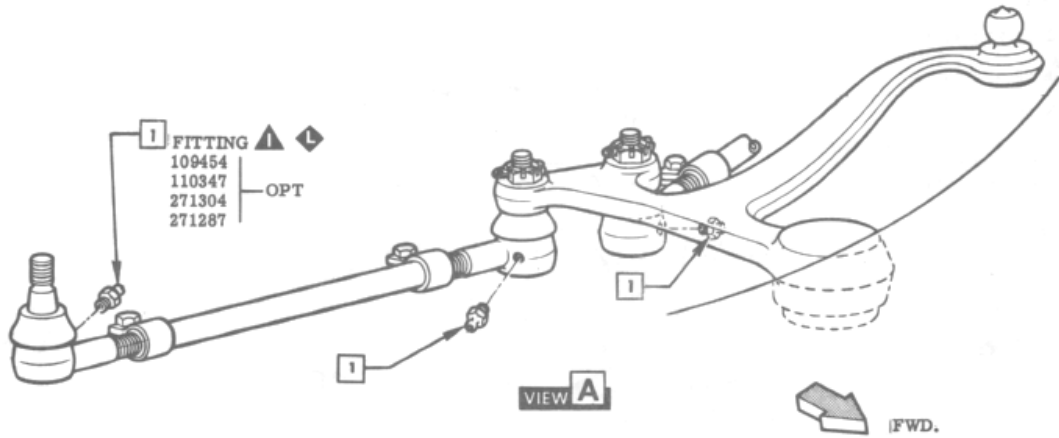


CHEVROLET MOTOR DIVISION



GENERAL MOTORS CORPORATION

**▲** 38 - 42 LBS. IN.



FRONT SUSPENSION GEOMETRY- SHEET 4.00 .

**FRONT SUSPENSION - INDEX**

						NAME	CORVETTE INSTRUCTION MANUAL			
						REF.	DRAWN	CHECKED	SECT.	SHEET
		RELEASED				19977	SHAFFER	BUCK	<b>3</b>	<b>1.00</b>
DATE	SYM.	REVISION RECORD	AUTH.	DR.	CK.	DATE	PART No. 3774300			
						5-25-59				



▲ 1 9-12 LBS. FT.

▲ 2 17-22 LBS. FT.

▲ 3 15-20 LBS. FT.

▲ 4 38-42 LBS. IN.

▲ 5 38 LBS. IN. @

@ PLUS ADDITIONAL TORQUE NECESSARY TO ALIGN FITTING PROPERLY.

① 3775454 SHAFT ASSEMBLE IN POSITION SHOWN WITH NO TORSION IN BUSHING

▲ 2 100027 BOLT

④ L. W.

3706033 SHIM

APPROX. 5.08

100135 BOLT

3733477 SHIM

103321 L. W. ④

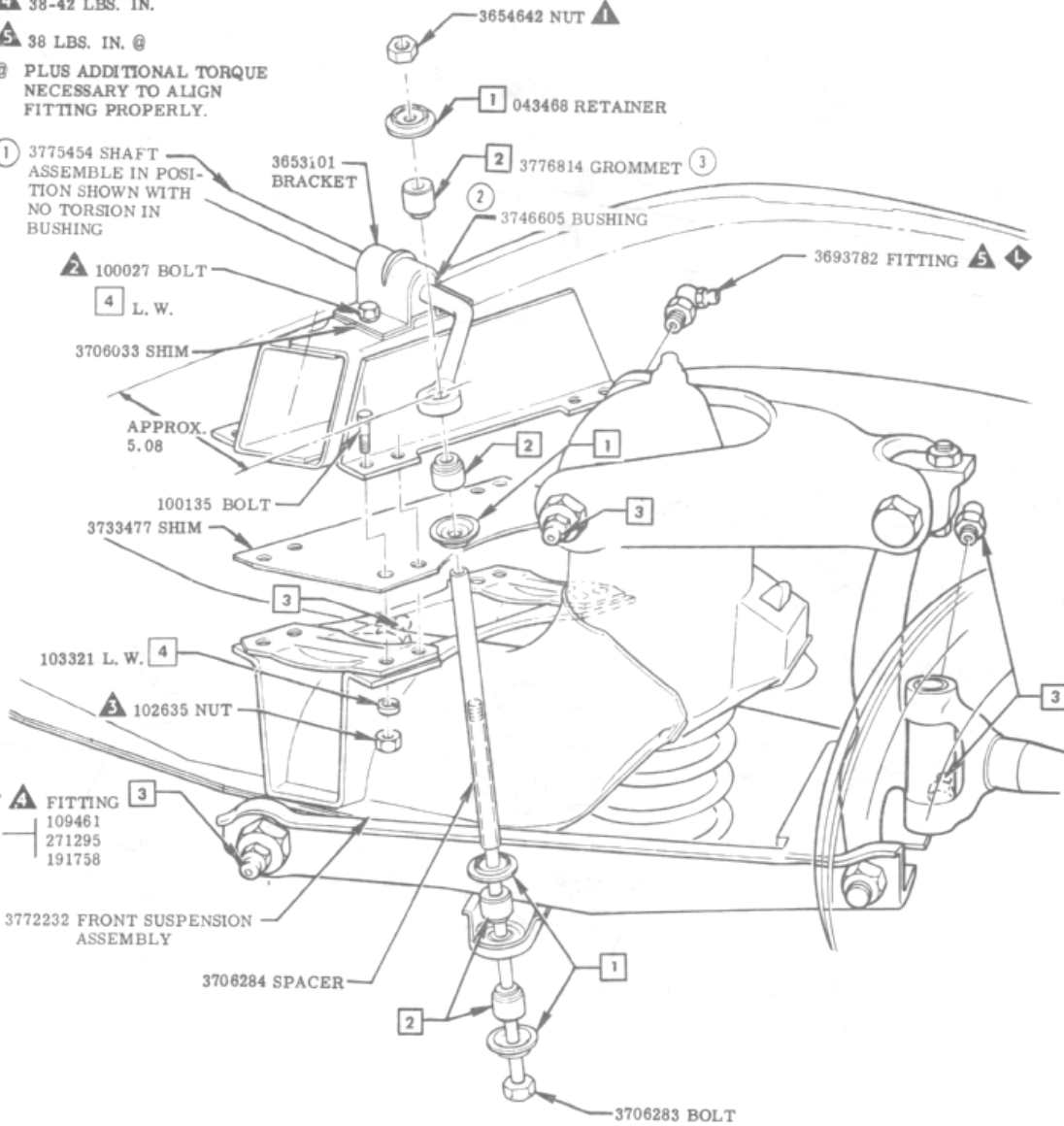
▲ 3 102635 NUT

▲ ④ FITTING ③  
OPT. 109461  
271295  
191758

3772232 FRONT SUSPENSION ASSEMBLY

3706284 SPACER

3706283 BOLT

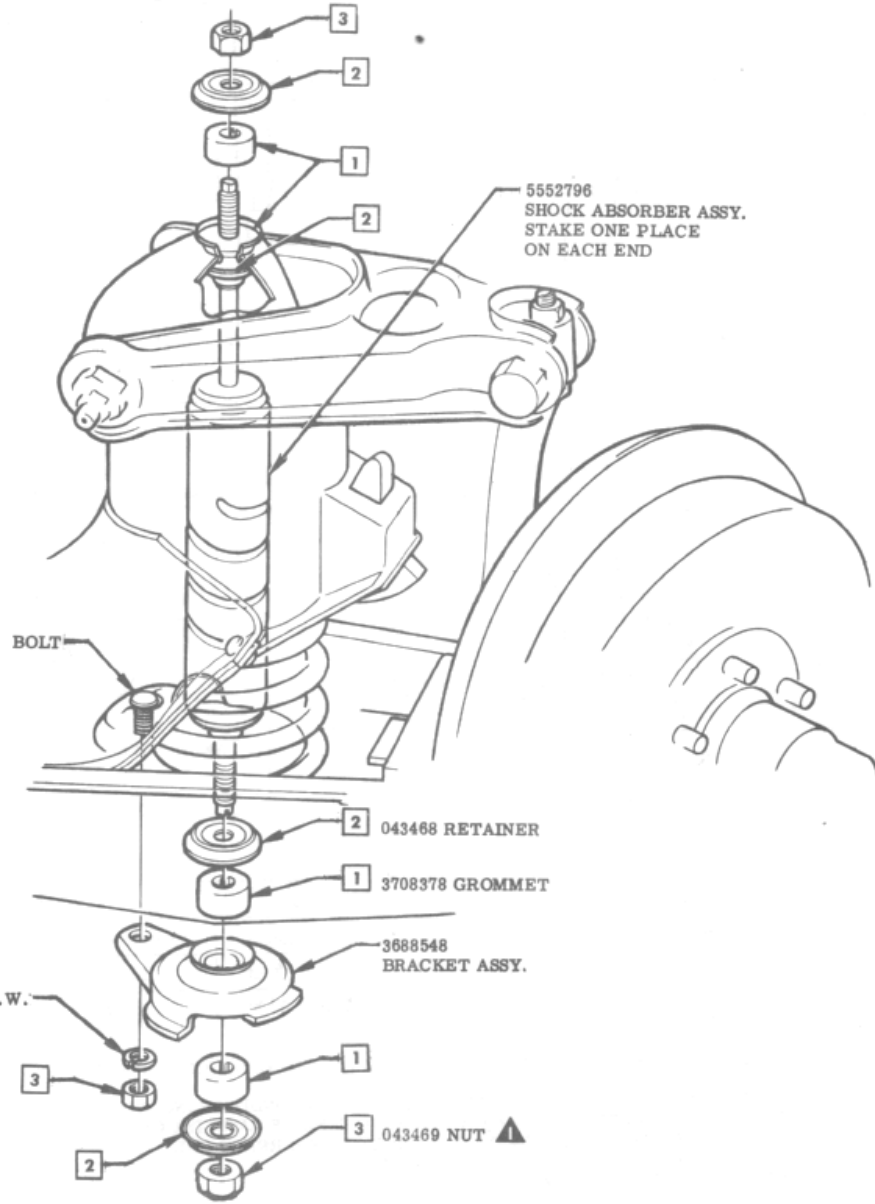


FRONT SUSPENSION & STABILIZER SHAFT

8-10-59	3	WAS 5325788	21584	CS	F	NAME CORVETTE INSTRUCTION MANUAL				
	2	WAS 599430				REF. 19977	DRAWN SHAFER	CHECKED BUCK	SECT. 3	SHEET 2.00
7-28-59	1	WAS 3706032	20984	WS		DATE 5-25-59	PART No. 3774300			
		RELEASED								
DATE	SYM.	REVISION RECORD	AUTH.	DR.	CK.					

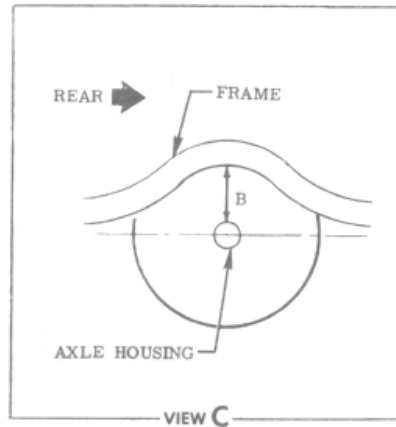
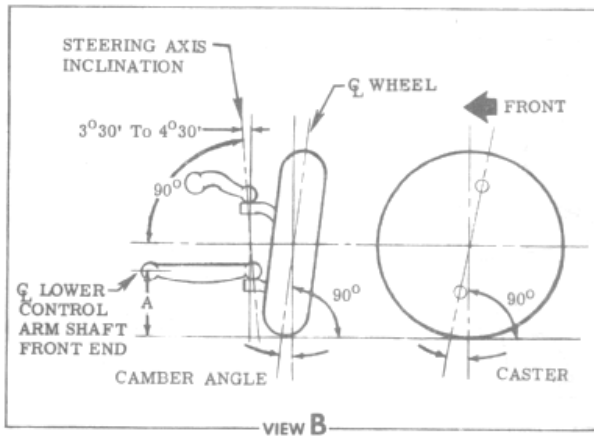
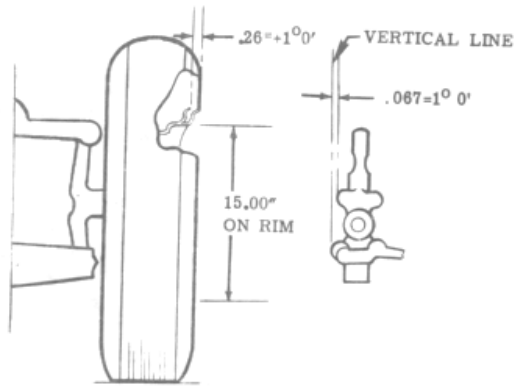
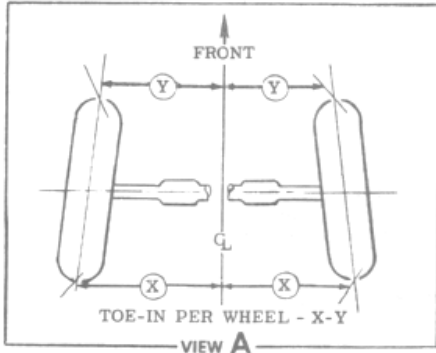


**▲** 9-11 LBS. FT.



**FRONT SHOCK ABSORBER**

					NAME				CORVETTE INSTRUCTION MANUAL					
					REF.		DRAWN		CHECKED		SECT.		SHEET	
					19977		SHAFER		BUCK		3		3.00	
					DATE		PART No.							
					5-25-59		3774300							
DATE	SYM.	REVISION RECORD			AUTH.	DR.	CK.							
		RELEASED												

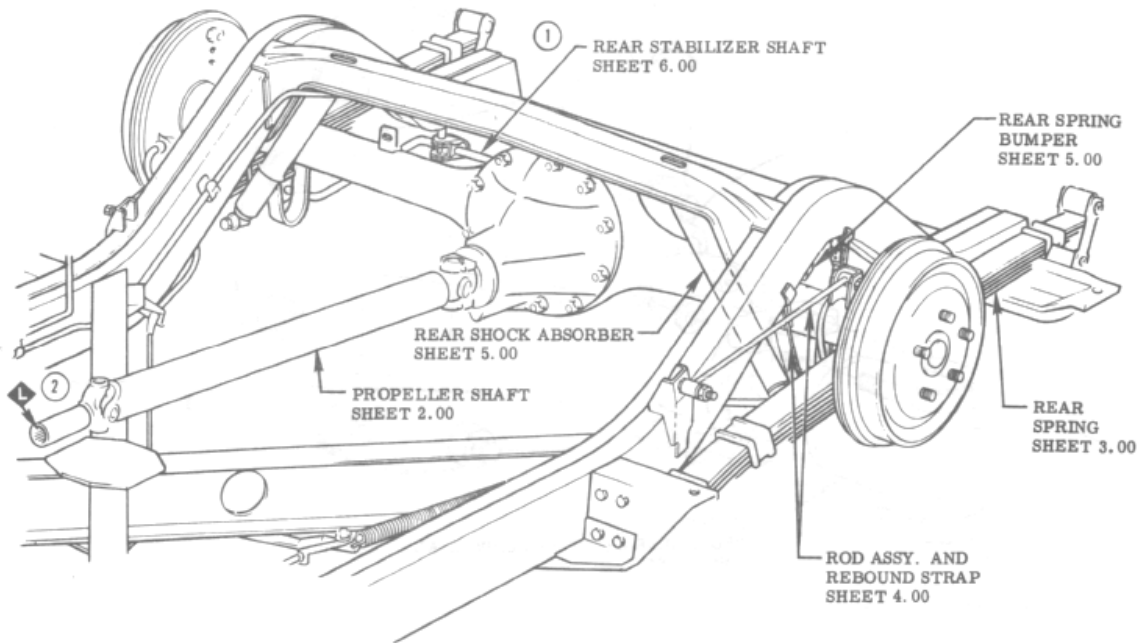


	VIEW A	VIEW B		VIEW C	
	Toe-In Per Wheel	Camber Angle	Caster Angle	Front Dim. A	Rear Dim. B
* DESIGN LOAD	.00 to .12	# 0° ± 0° 30'	# 2° 0' ± 0° 30'	10.17	4.40
** CURB WEIGHT	.06 to .18	0° ± 0° 30'	1° 50' ± 0° 30'	10.68	5.30

- \* DIMENSION WITH VEHICLE UNDER ACTUAL DESIGN LOAD CONDITION (2-150 LB. PASSENGERS.)
- \*\* DIMENSION WITH VEHICLE UNDER ACTUAL CURB LOAD CONDITION (NO PASSENGERS, BUT INCLUDING OIL, WATER & A FULL TANK OF GASOLINE OR EQUIV.). (THESE DIMENSIONS ARE THEORETICAL & ARE FOR REFERENCE ONLY, NOT TO BE USED FOR CHECKING WHEEL ALIGNMENT.)
- # RIGHT & LEFT SIDES EQUAL WITHIN 15.

FRONT SUSPENSION GEOMETRY

DATE	SYM.	REVISION RECORD	AUTH.	DR.	CK.	NAME	CORVETTE INSTRUCTION MANUAL			SECT.	SHEET
						REF. 19977	DRAWN SHAFER	CHECKED BUCK			
		RELEASED				DATE 5-26-59	PART No. 3774300		3	4.00	



**REAR SUSPENSION INDEX**

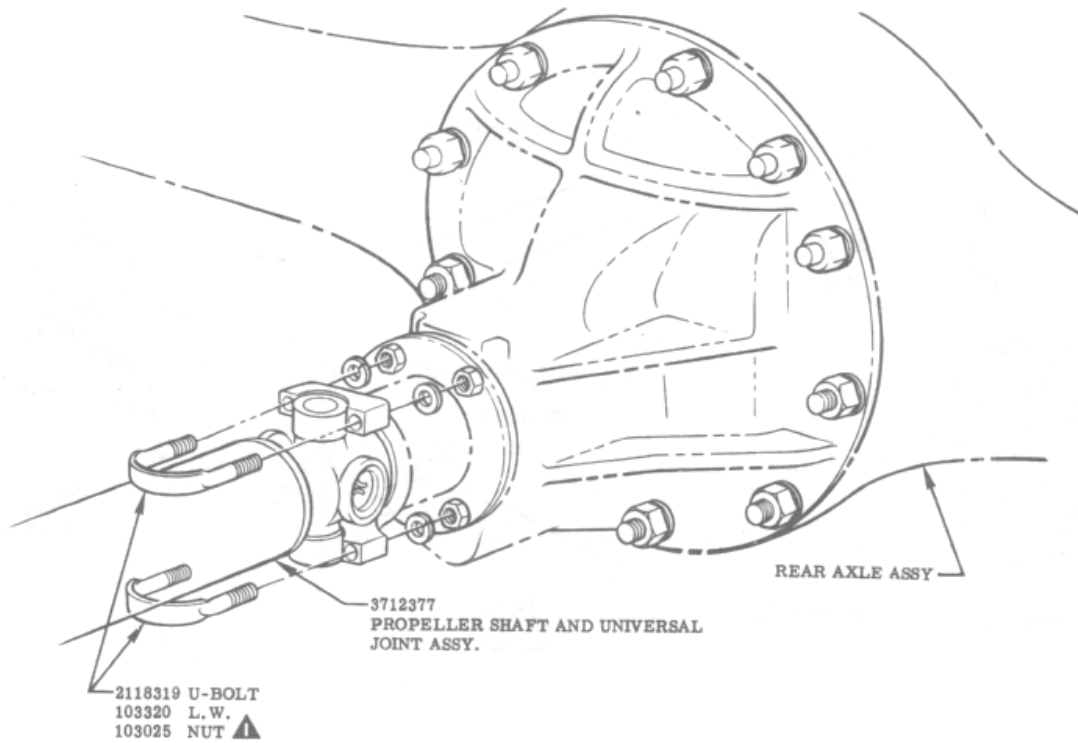
		CORVETTE INSTRUCTION MANUAL								
DATE	SYM.	REVISION RECORD	AUTH.	DR.	CK.	DATE	PART No.	SECT.	SHEET	
2-5-60	2	LUB. SYMBOL ADDED	15966	RV	F	REF. 19977	DRAWN SHAFER	CHECKED BUCK	4	1.00
7-28-59	1	NOTE ADDED	20984	WS	F					
		RELEASED								
						5-26-59	3774300			

CHEVROLET MOTOR DIVISION



GENERAL MOTORS CORPORATION

▲ 14-18 LBS. FT.



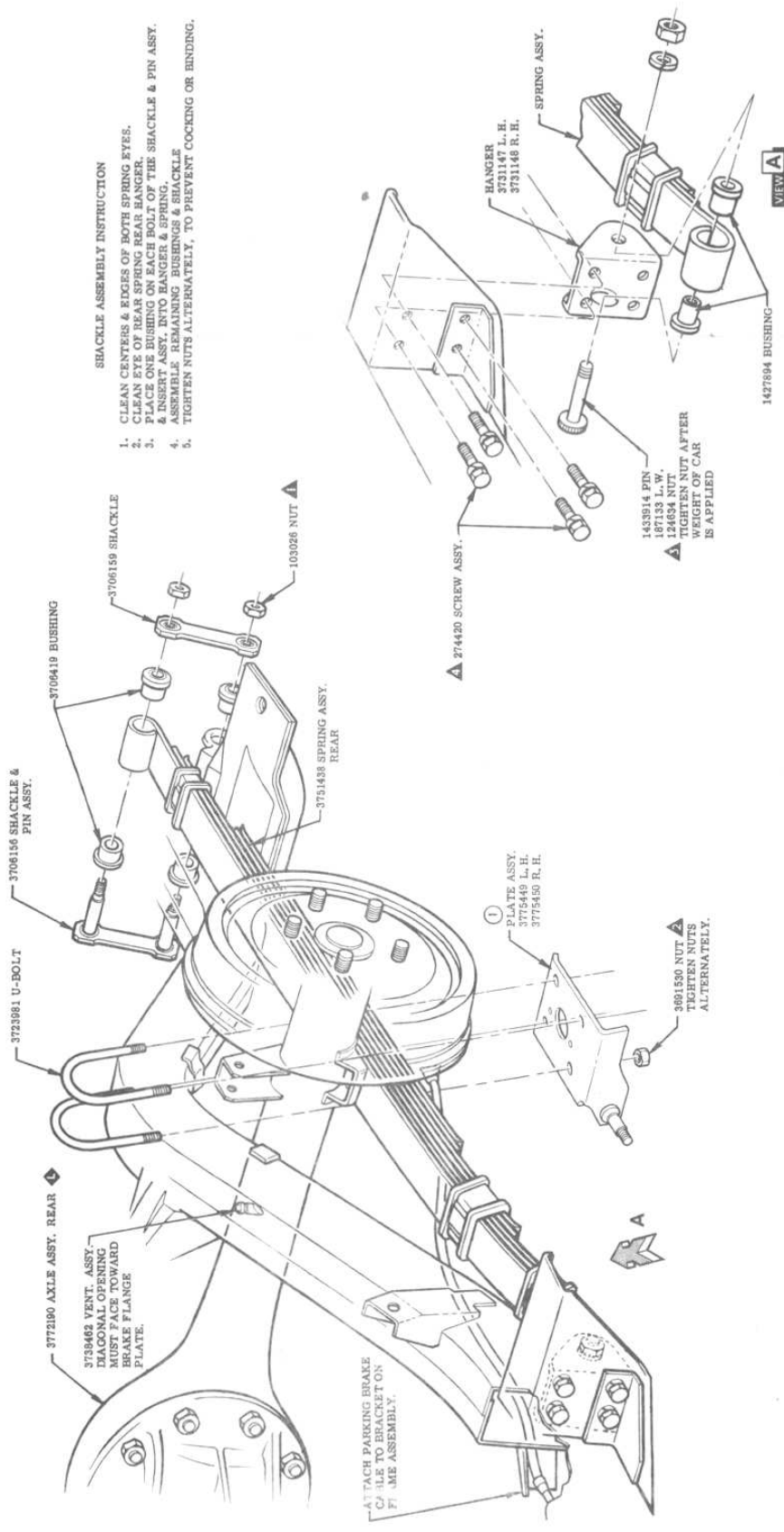
①

**PROPELLER SHAFT**

				NAME				CORVETTE INSTRUCTION MANUAL					
				REF.				DRAWN		CHECKED		SECT.	
2-5-60				15966				SHAFAER		BUCK		4	
1				RV				F		19977		2.00	
VIEW REMOVED								DATE		PART No.		3 7 7 4 3 0 0	
RELEASED								5-26-59					
DATE	SYM.	REVISION RECORD		AUTH.	DR.	CK.							



- ▲ 25-30 LBS. FT.
- ▲ 55-60 LBS. FT.
- ▲ 60-90 LBS. FT.
- ▲ 20-25 LBS. FT.



**SHACKLE ASSEMBLY INSTRUCTION**

1. CLEAN CENTERS & EDGES OF BOTH SPRING EYES.
2. CLEAN EYE OF REAR SPRING REAR HANGER.
3. PLACE ONE BUSHING ON EACH BOLT OF THE SHACKLE & PIN ASSY.
4. SLIDE INTO HANGER & SPRING ASSEMBLY. REAR SPRING EYE TO SHACKLE.
5. TIGHTEN NUTS ALTERNATELY, TO PREVENT COCKING OR BENDING.

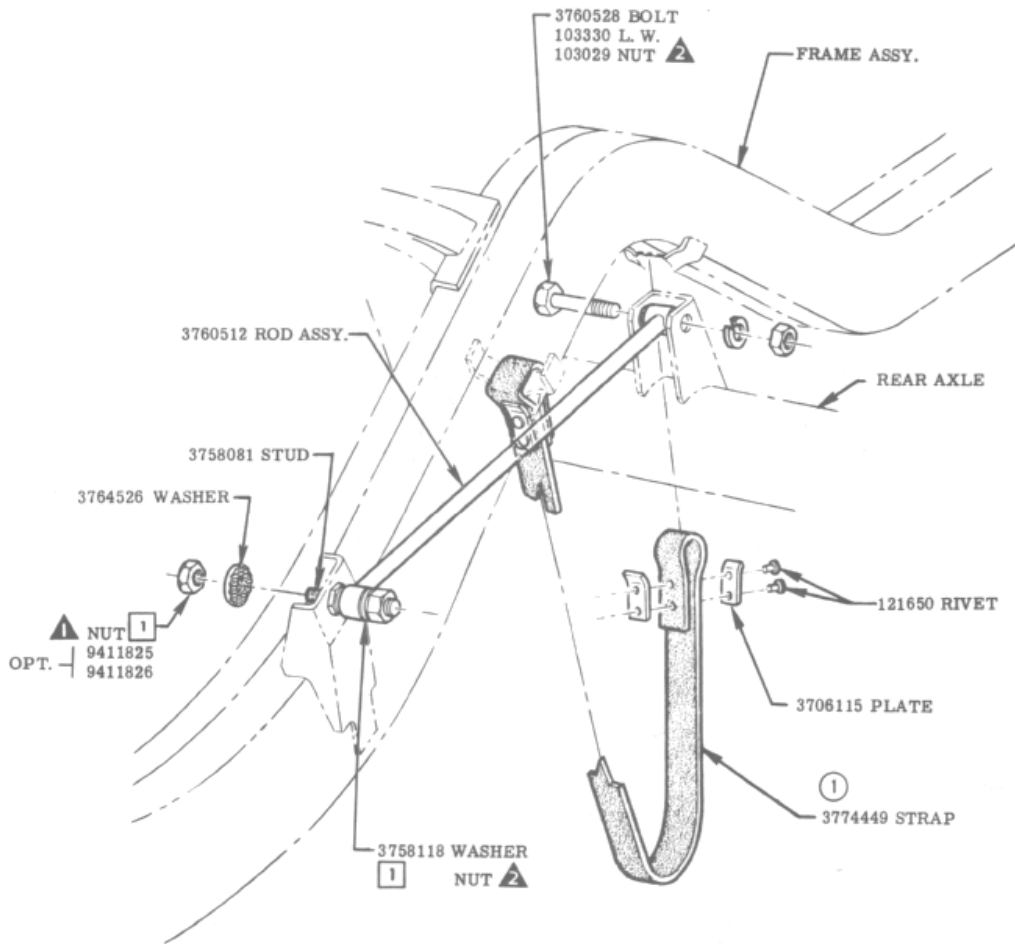
DATE	SYM.	REVISION RECORD	AUTH.	DR.	CK.	DATE	REF.	NAME	CORVETTE INSTRUCTION MANUAL	SHEET
7-28-59	1	WAS 3714311 L. H. & 3714312 R. H. RELEASED.				5-26-59	19977	SHAFFER	BUICK	3.00

REAR SPRING & REAR AXLE



▲ 95 - 125 LBS. FT.

▲ 51 - 73 LBS. FT.



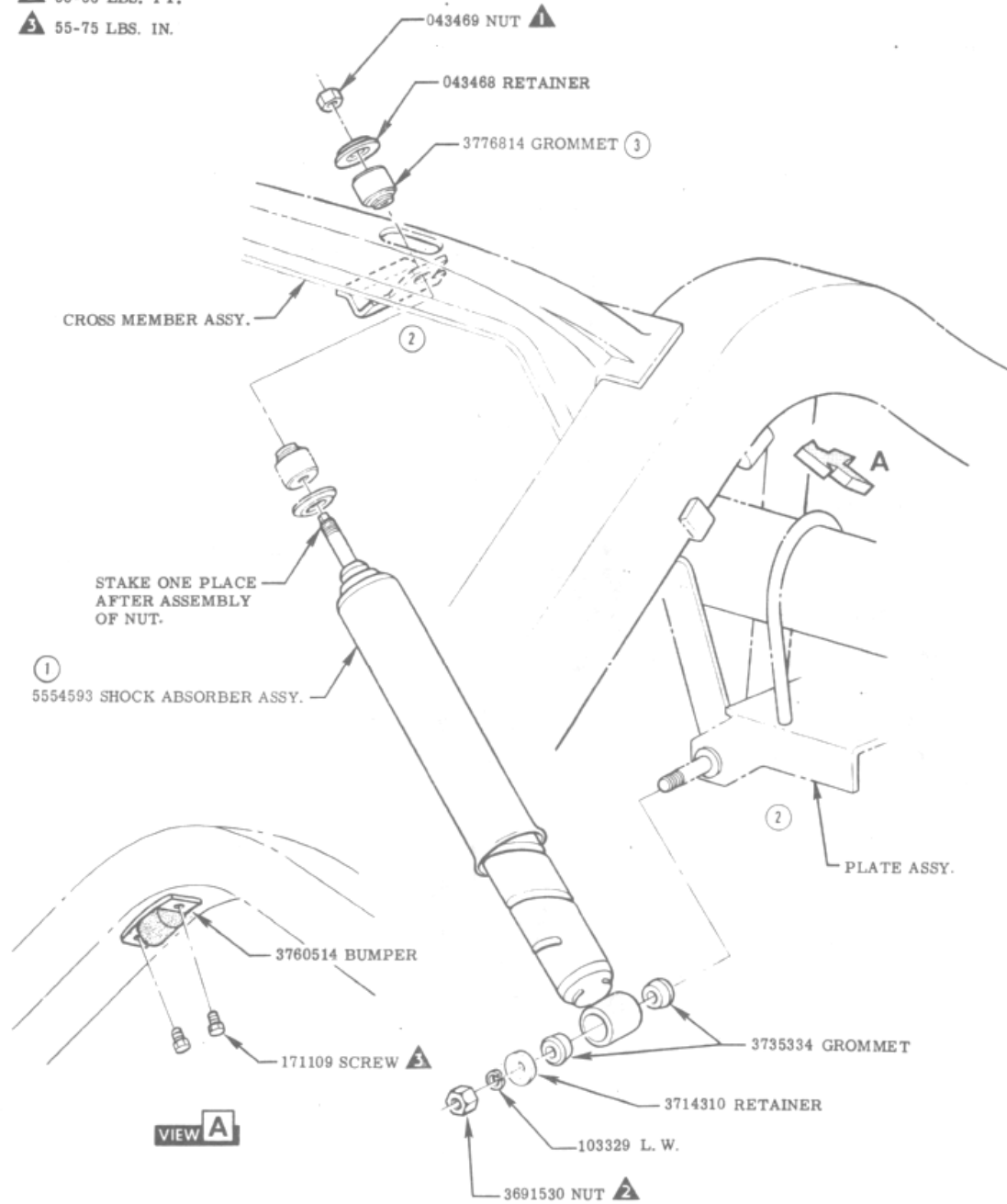
ROD ASSY. & REBOUND STRAP

				CORVETTE INSTRUCTION MANUAL				
				NAME	CORVETTE INSTRUCTION MANUAL		REF.	DATE
7-28-59	1	WAS 3764295	19889 WS F	SHAFAER	CHECKED	BUCK	19977	5-26-59
RELEASED				PART No. 3774300		SECT.	SHEET	
DATE	SYM.	REVISION RECORD	AUTH. DR. CK.			4	4.00	





- ▲ 1 9-11 LBS. FT.
- ▲ 2 50-60 LBS. FT.
- ▲ 3 55-75 LBS. IN.

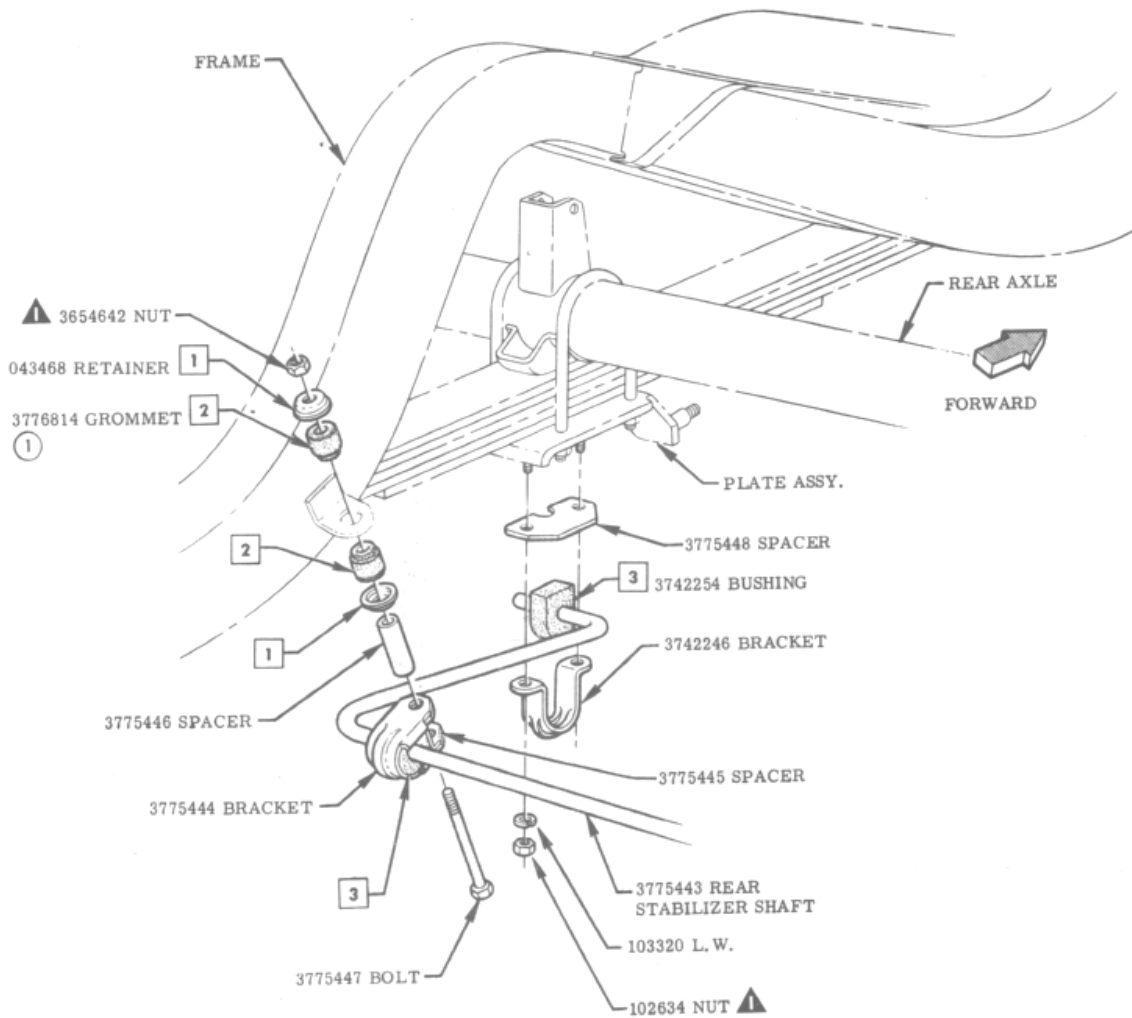


**REAR SHOCK ABSORBER & BUMPER ASSY.**

9-10-59	3	WAS 5325788	21584	CS	B	NAME CORVETTE INSTRUCTION MANUAL				
	2	PICTURE REVISED 2 PLACES			F	REF. 19977	DRAWN SHAFER	CHECKED BUCK	SECT. 4	SHEET 5.00
7-28-59	1	WAS 5552797	19889	WS		DATE 5-26-59	PART No. 3774300			
DATE	SYM.	REVISION RECORD	AUTH.	DR.	CK.					



▲ 9-12 LBS. FT.



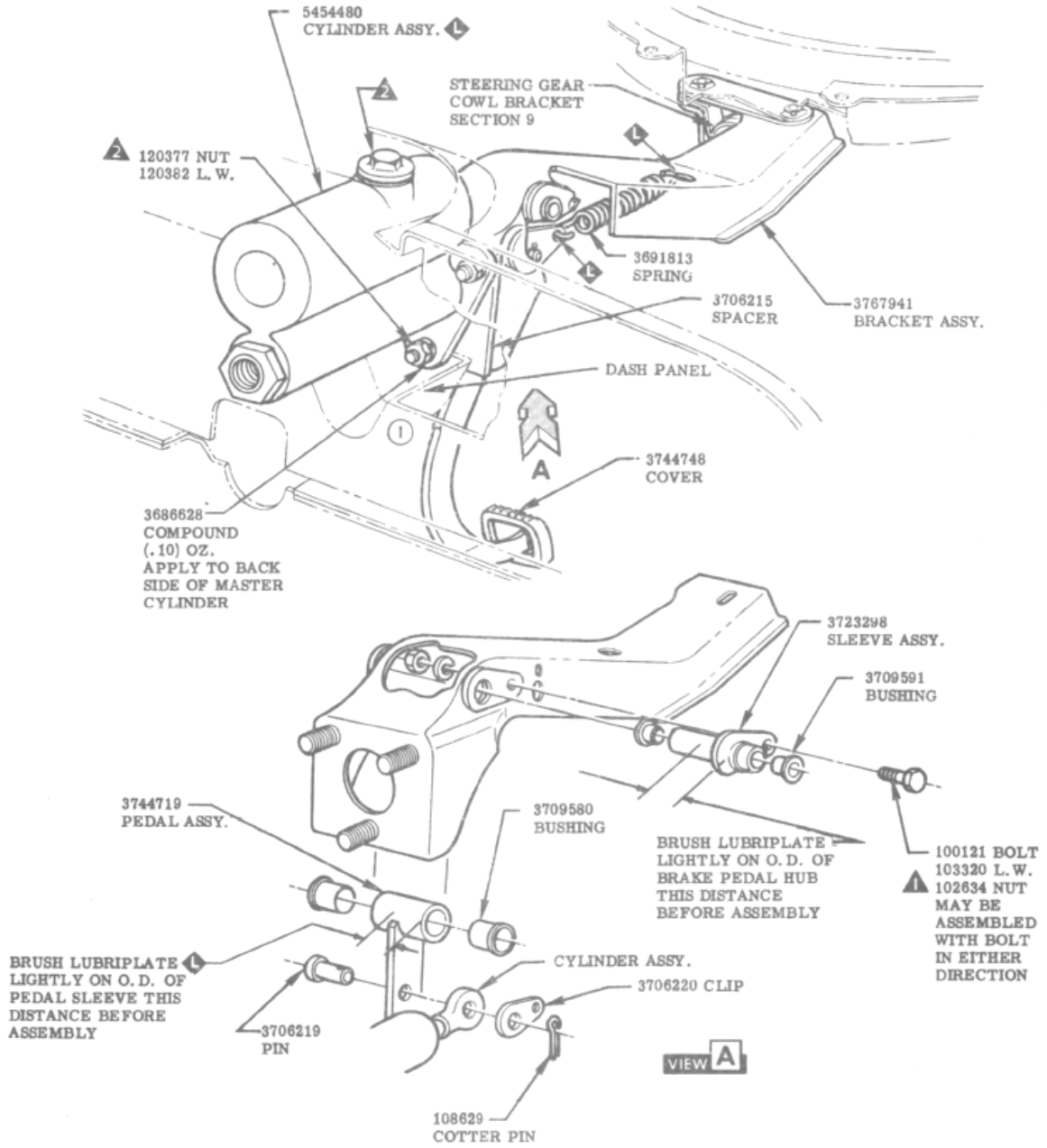
**REAR STABILIZER SHAFT**

					CORVETTE INSTRUCTION MANUAL					
DATE	SYM.	REVISION RECORD	AUTH.	DR.	CK.	REF.	DRAWN	CHECKED	SECT.	SHEET
9-10-59	1	WAS 5325788 RELEASED	21584	CS	B	20984	SHAFFER	F		
						7-28-59			4	6.00
						PART No. 3774300				



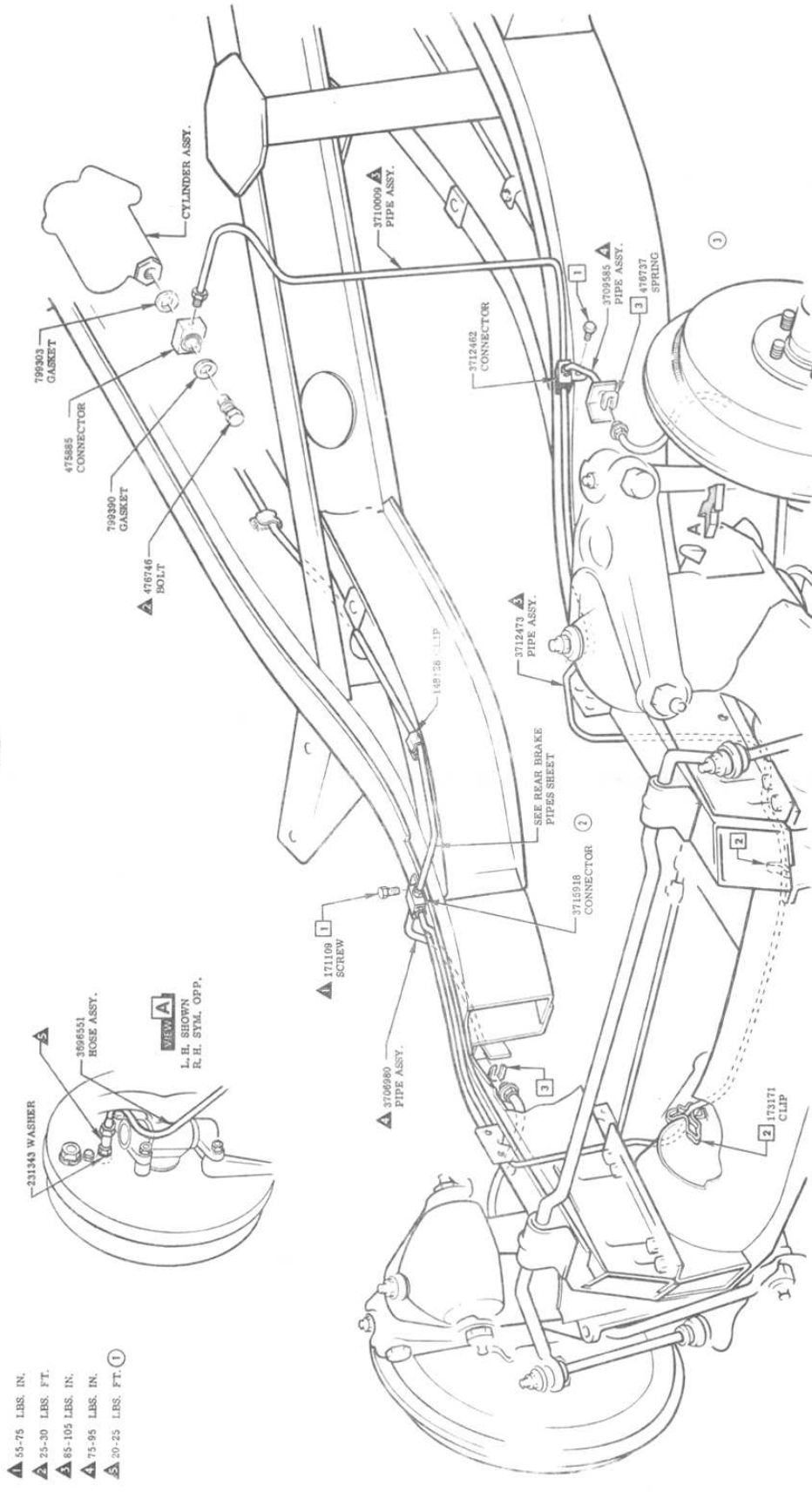


- ▲ 86-107 LBS. IN.
- ▲ 15-20 LBS. FT.



**BRAKE PEDAL & MAIN CYLINDER**

						NAME		CORVETTE INSTRUCTION MANUAL			
DATE	SYM.	REVISION RECORD	AUTH.	DR.	CK.	REF.	DRAWN	CHECKED	BUCK	SECT.	SHEET
3-23-60	1	PICTURE CLARIFIED RELEASED	CO	F		19977	ORR	BUCK		5	2.00
						DATE	PART No.				
						6-12-59	3 7 7 4 3 0 0				



- ▲ 55-75 LBS. IN.
- ▲ 25-30 LBS. FT.
- ▲ 85-105 LBS. IN.
- ▲ 75-95 LBS. IN.
- ▲ 20-25 LBS. FT. ①

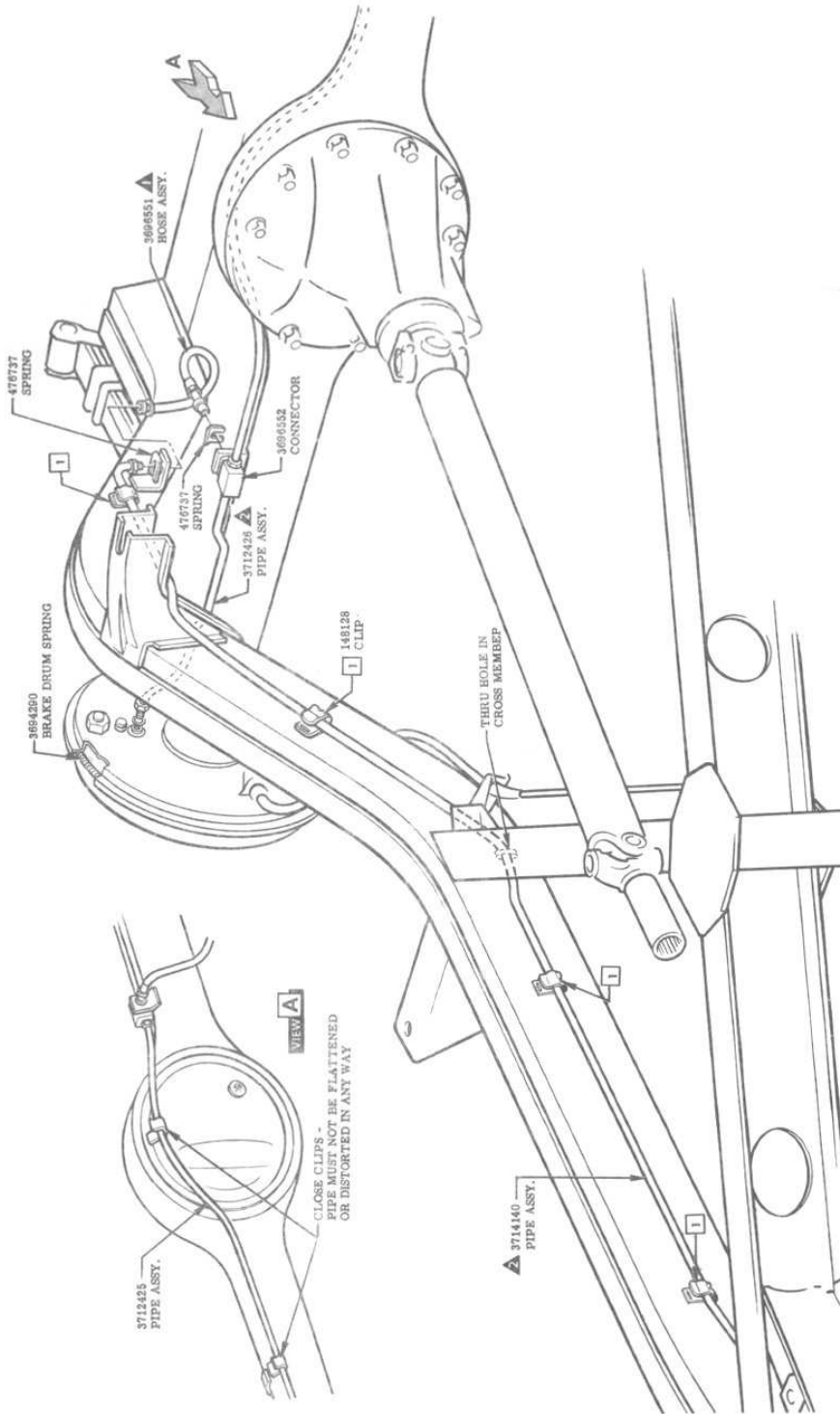
**VIEW A**  
L. H. SHOWN  
R. H. SYM. OPP.

CORVETTE INSTRUCTION MANUAL		SHEET	
F. NAME	REF.	DRAWN	CHECKED
3 3894290 SPRING	CO	19977	5
4-5-60	CD B	10940	BUCK
2 CALLOUT REMOVED	DATE	6-1-59	3.00
1 WAS 3719278	AUTH	DE	3774300
3 70 LBS. IN.	CK		
3 10-17-59			
1 RELEASED			
DATE	SYM.	REVISION RECORD	

FRONT BRAKE PIPES

▲ 100-125 LBS. IN.

▲ 75-95 LBS. IN.



DATE	SYM.	REVISION RECORD	AUTH.	DL.	CK.	NAME	CORVETTE INSTRUCTION MANUAL
						REF. 19977	DRAWN
						DATE 6--1--59	CHECKED
							BUCK
							SECT. 5
							SHEET 4.00
							PART No. 3774300

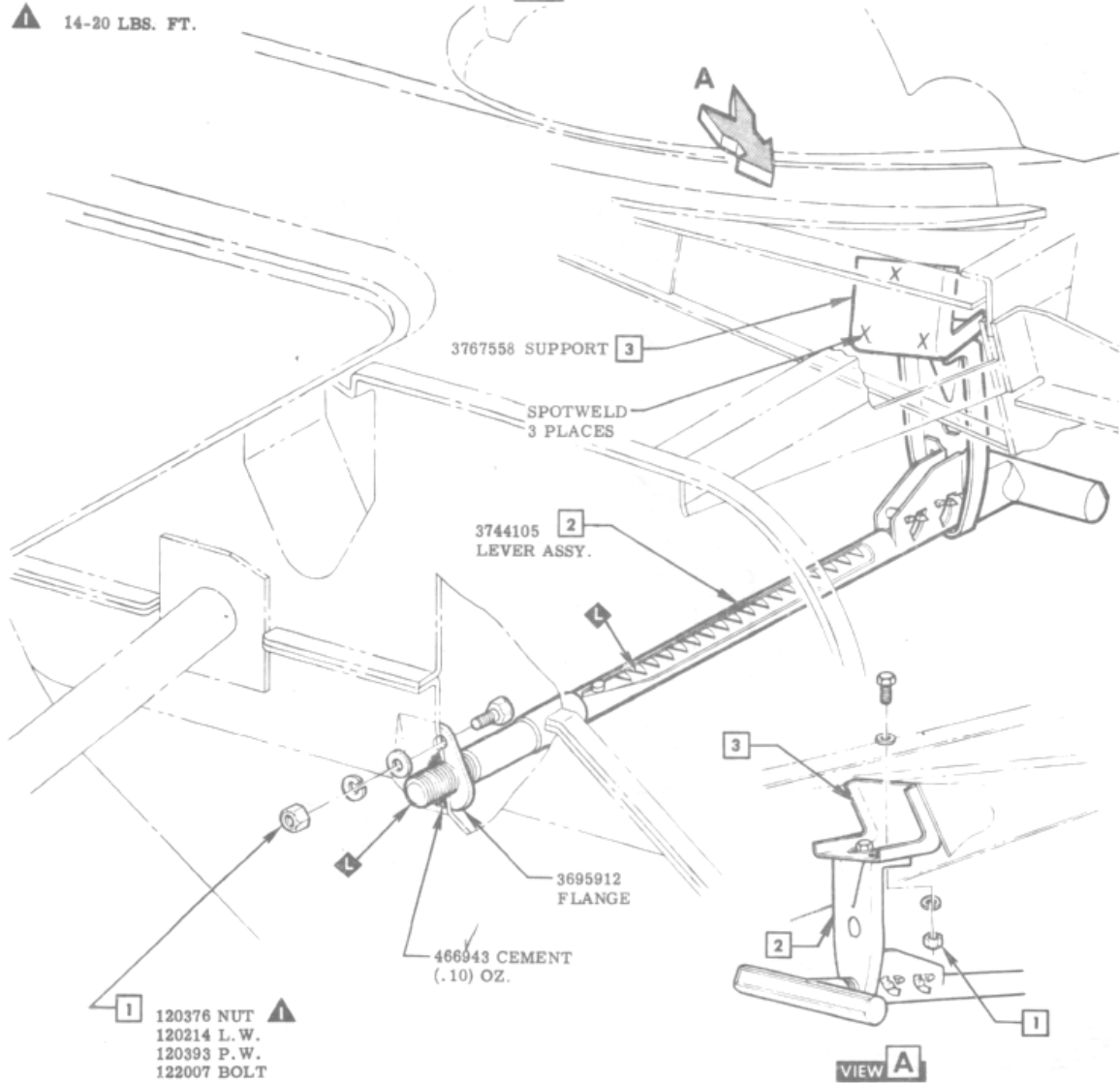
REAR BRAKE PIPES

CHEVROLET MOTOR DIVISION



GENERAL MOTORS CORPORATION

▲ 14-20 LBS. FT.



PARKING BRAKE ADJUSTMENT

TENSION ON BOTH CABLES MUST BE SUCH THAT WHEN CAR IS BROUGHT TO A FAST STOP FROM 15 M. P. H. BY APPLYING THE HAND BRAKE, ONE WHEEL WILL NOT SLIDE OR LOCK BEFORE THE OTHER BY MORE THAN 5 FEET WHEN CHECKED ON DRY CONCRETE PAVEMENT.

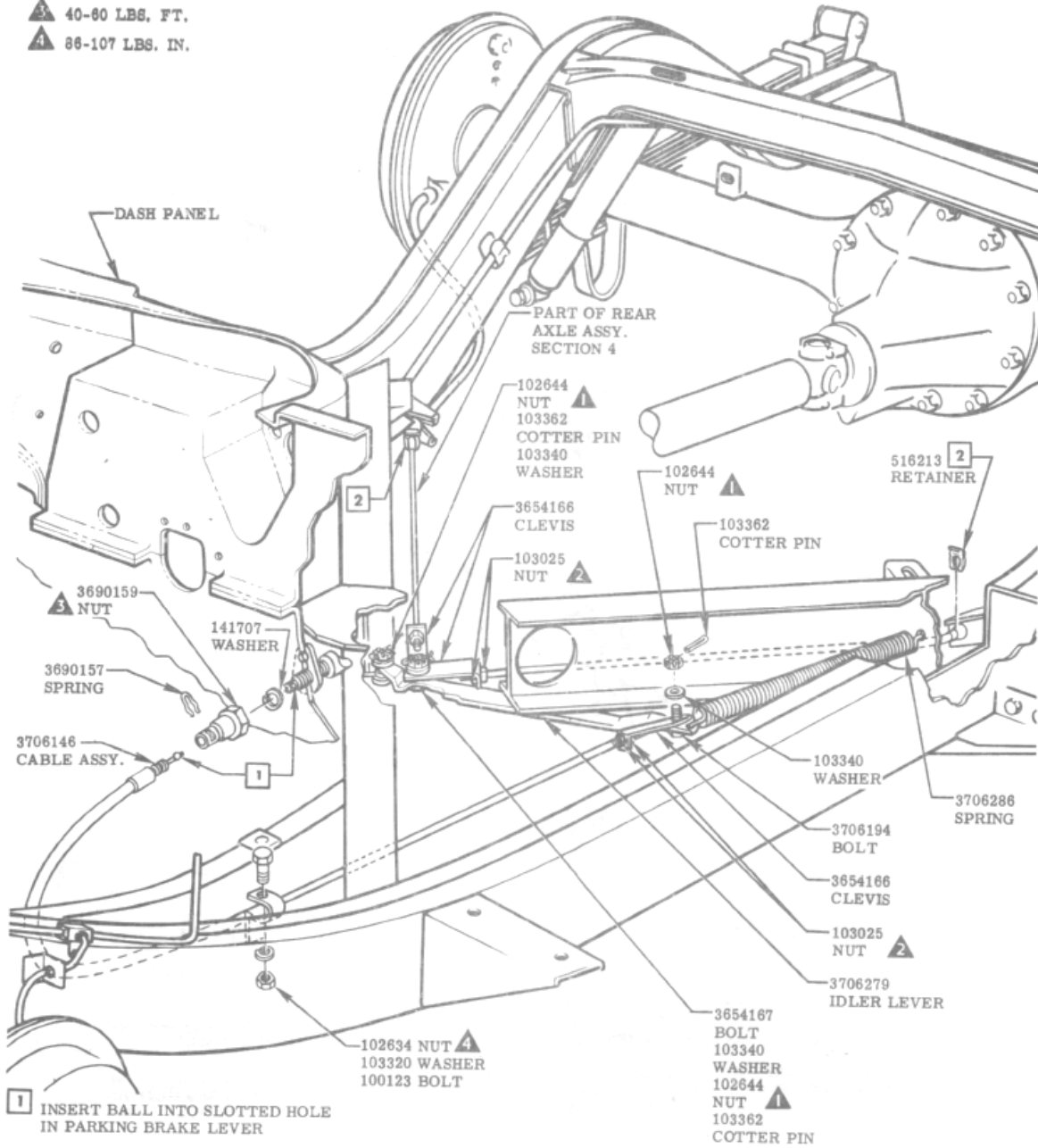
TO GUARD AGAINST TOO TIGHT OR TOO LOOSE ADJUSTMENT OF THE CABLES, THE PULL ON THE HAND BRAKE LEVER MUST BE 25-35 LBS. AT 7 CLICKS OF THE RATCHETS. (THIS LOAD MUST BE NOTICEABLY AFFECTED BY ANY FRICTION IN THE HAND BRAKE SYSTEM.)

PARKING BRAKE LEVER

					NAME					CORVETTE INSTRUCTION MANUAL				
					REF.		DRAWN		CHECKED		SECT.		SHEET	
					19977		ORR		BUCK		5		5.00	
					DATE		PART No.							
					6-2-59		3774300							
DATE	SYM.	REVISION RECORD			AUTH.	DR.	CK.							



- ▲ 96-120 LBS. IN.
- ▲ 8-12 LBS. FT.
- ▲ 40-80 LBS. FT.
- ▲ 86-107 LBS. IN.



**PARKING BRAKE LINKAGE**

				NAME				CORVETTE INSTRUCTION MANUAL					
				REF. 19977		DRAWN ORR		CHECKED BUCK		SECT. 5		SHEET 6.00	
				DATE 6-12-59		PART No. 3774300							
DATE	SYM.	REVISION RECORD	AUTH.	DR.	CK.								





CHEVROLET MOTOR DIVISION

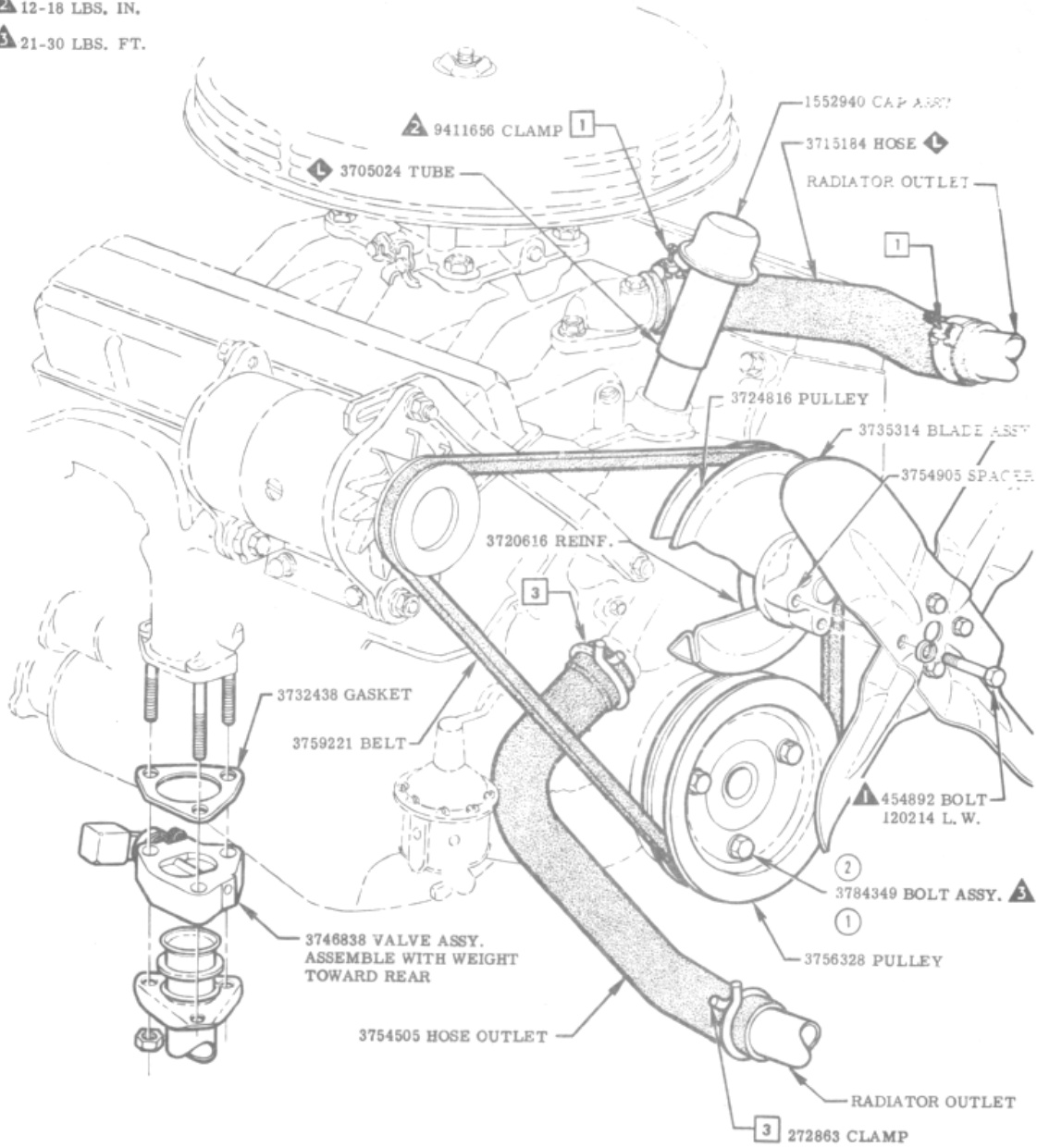


GENERAL MOTORS CORPORATION

▲ 20-25 LBS. FT.

◀ 12-18 LBS. IN.

▲ 21-30 LBS. FT.

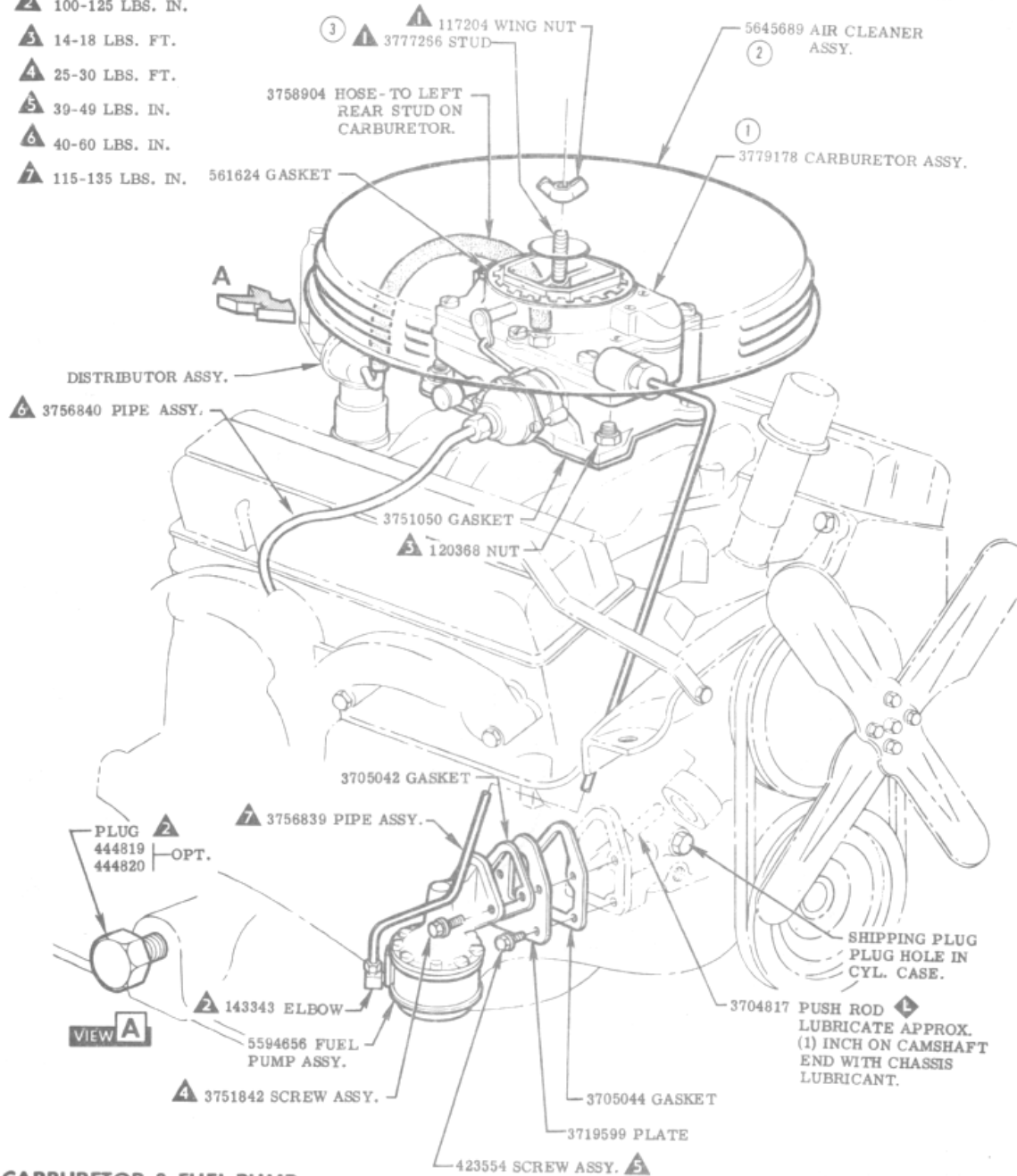


**EXHAUST VALVE, OIL FILLER,  
RADIATOR HOSES & FAN**

					CORVETTE INSTRUCTION MANUAL					
DATE	SYM.	REVISION RECORD	AUTH.	DR.	CK.	REF.	DRAWN	CHECKED	SECT.	SHEET
3-11-60	2	WAS 3774994	26371	JS	F	19977	W. OHRYN	BUCK	6	2.00
12-22-59	1	WAS 106284 BOLT & 103321 L. W. RELEASED	20939	RV	F					
						DATE	PART No. 3774300			
						5-26-59				



- ▲ 15-25 LBS. IN.
- ▲ 2 100-125 LBS. IN.
- ▲ 3 14-18 LBS. FT.
- ▲ 4 25-30 LBS. FT.
- ▲ 5 39-49 LBS. IN.
- ▲ 6 40-60 LBS. IN.
- ▲ 7 115-135 LBS. IN.



**CARBURETOR & FUEL PUMP**

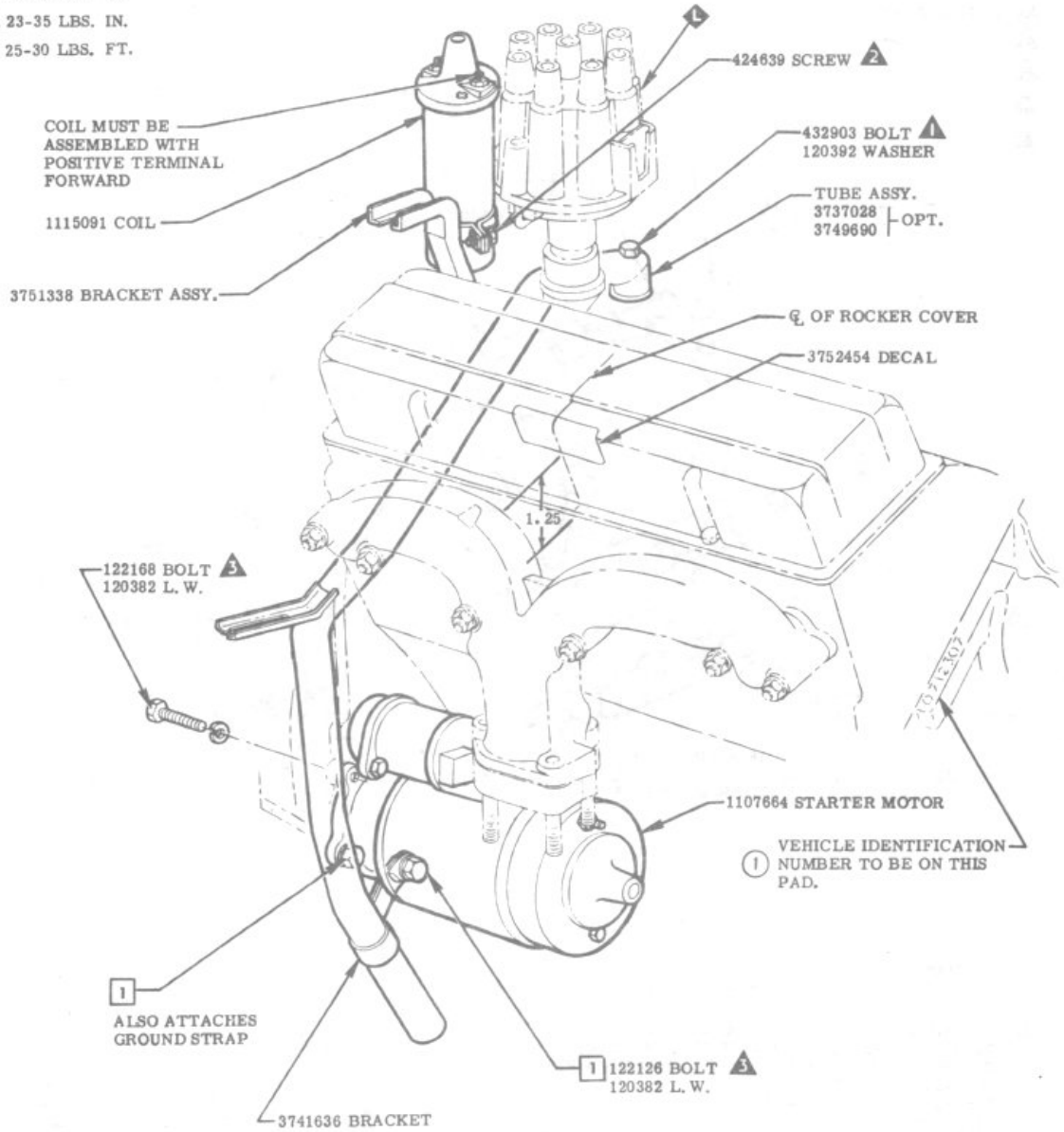
				NAME				CORVETTE INSTRUCTION MANUAL			
	3	WAS 3750992					REF.	DRAWN	CHECKED	SECT.	SHEET
	2	WAS 1553495	22371				19977	W. OHRYN	BUCK	6	3.00
10-19-59	1	WAS 3756676	23064	WO			DATE	PART No. 3774300			
		RELEASED					5-26-59				
DATE	SYM.	REVISION RECORD		AUTH.	DR.	CK.					

CHEVROLET MOTOR DIVISION



GENERAL MOTORS CORPORATION

- ▲ 39-49 LBS. IN.
- ▲ 23-35 LBS. IN.
- ▲ 25-30 LBS. FT.



**STARTER MOTOR,  
CRANK CASE VENTILATOR & COIL**

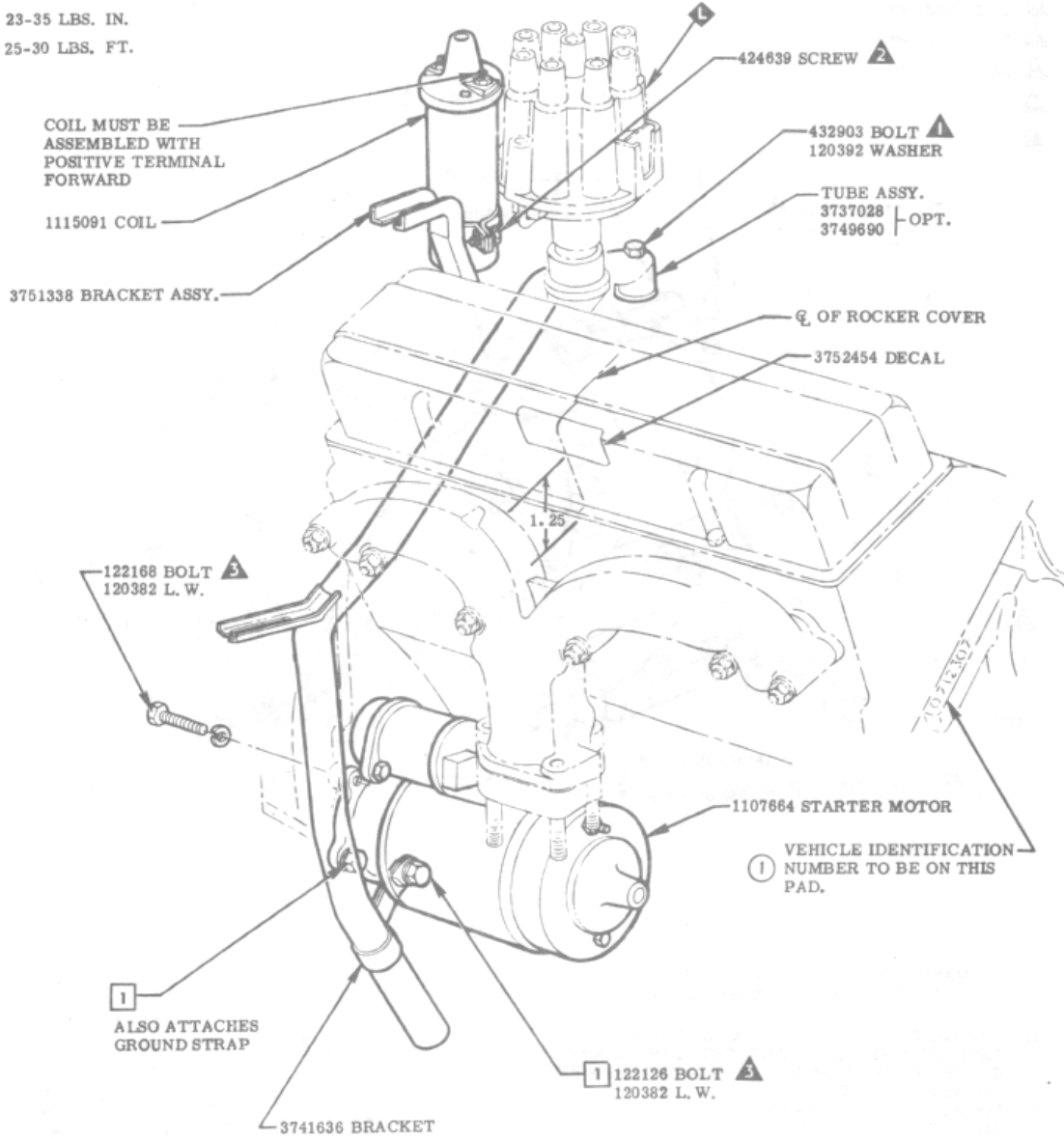
					CORVETTE INSTRUCTION MANUAL					
DATE	SYM.	REVISION RECORD	AUTH.	DR.	CK.	REF.	DRAWN	CHECKED	SECT.	SHEET
5-16-60	1	NOTE ADDED & PICTURE REVISED	15972	WO		19977	OHRYN	BUCK	6	4.00
						DATE	PART No. 3774300			
						6-1-59				

CHEVROLET MOTOR DIVISION



GENERAL MOTORS CORPORATION

- ▲ 39-49 LBS. IN.
- ▲ 23-35 LBS. IN.
- ▲ 25-30 LBS. FT.

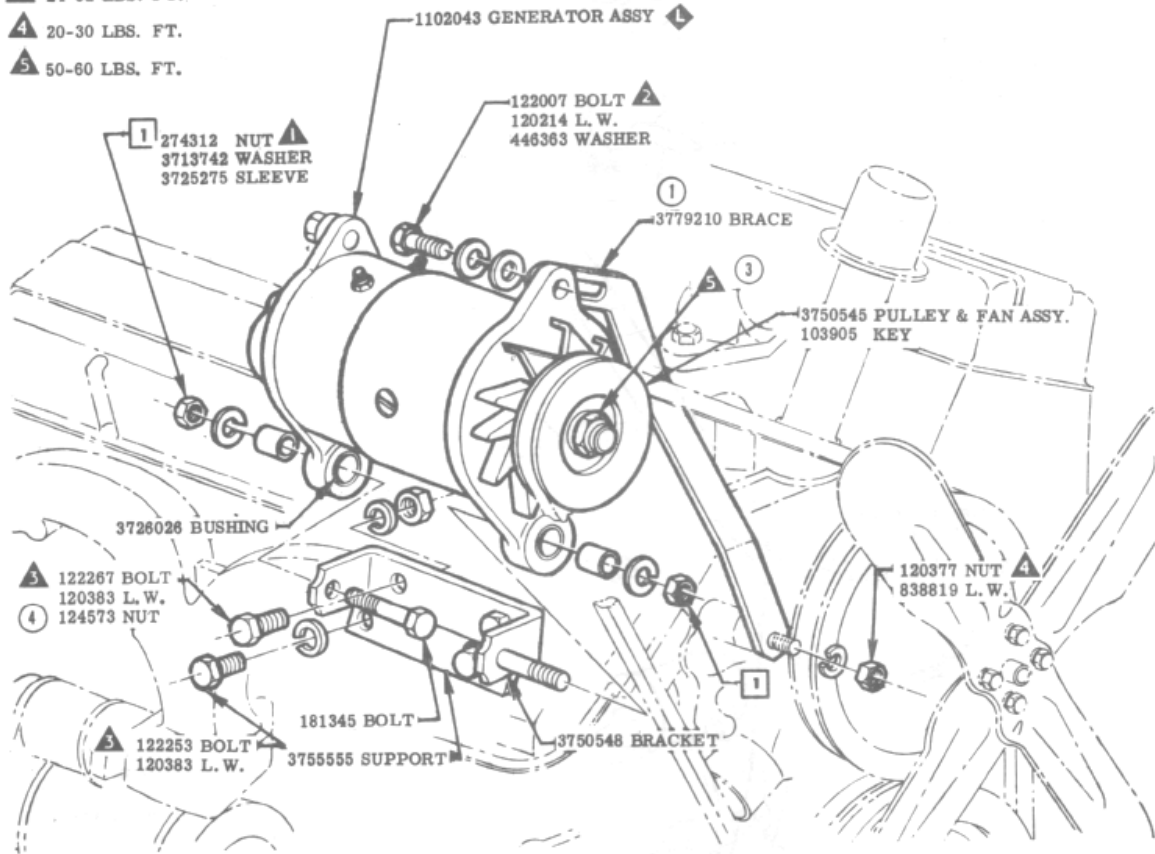


**STARTER MOTOR,  
CRANK CASE VENTILATOR & COIL**

				CORVETTE INSTRUCTION MANUAL						
DATE	SYM.	REVISION RECORD	AUTH.	DR.	CK.	REF.	DRAWN	CHECKED	SECT.	SHEET
5-16-60	1	NOTE ADDED & PICTURE REVISED	15972	WO		19977	OHRYN	BUCK	6	4.00
						DATE	PART No.			
						6-1-59	3774300			

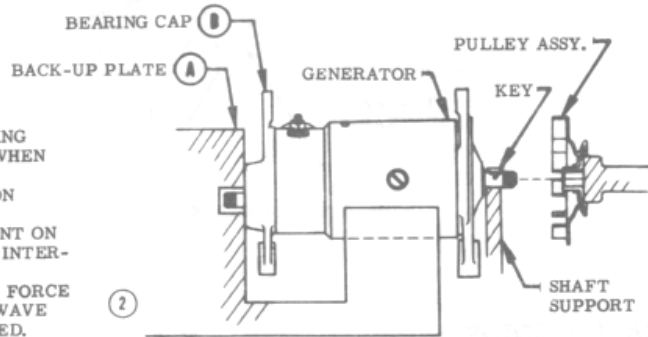


- ▲ 20-25 LBS. FT.
- ▲ 14-18 LBS. FT.
- ▲ 24-32 LBS. FT.
- ▲ 20-30 LBS. FT.
- ▲ 50-60 LBS. FT.



**MANDATORY GENERATOR PULLEY ASSY.  
(TO AVOID DAMAGE TO BEARINGS)**

1. CRADLE THE GENERATOR IN A FIXTURE WITH BACK-UP PLATE (A) AGAINST THE REAR BEARING CAP (B) (TO AVOID DAMAGE TO BEARING CAP WHEN INSTALLING THE PULLEY).
2. INSERT KEY INTO KEYWAY USING A SUPPORT ON THE LOWER SIDE OF SHAFT.
3. LINE UP KEY WITH KEYWAY IN PULLEY & MOUNT ON SHAFT, USING A STEADY PRESS ON PULLEY IF INTERFERENCE IS ENCOUNTERED.
4. USING A STALL WRENCH & APPLYING A BRAKE FORCE IN THE PULLEY GROOVE, TORQUE NUT. THE WAVE WASHER MUST BE FLAT AFTER NUT IS TORQUED.

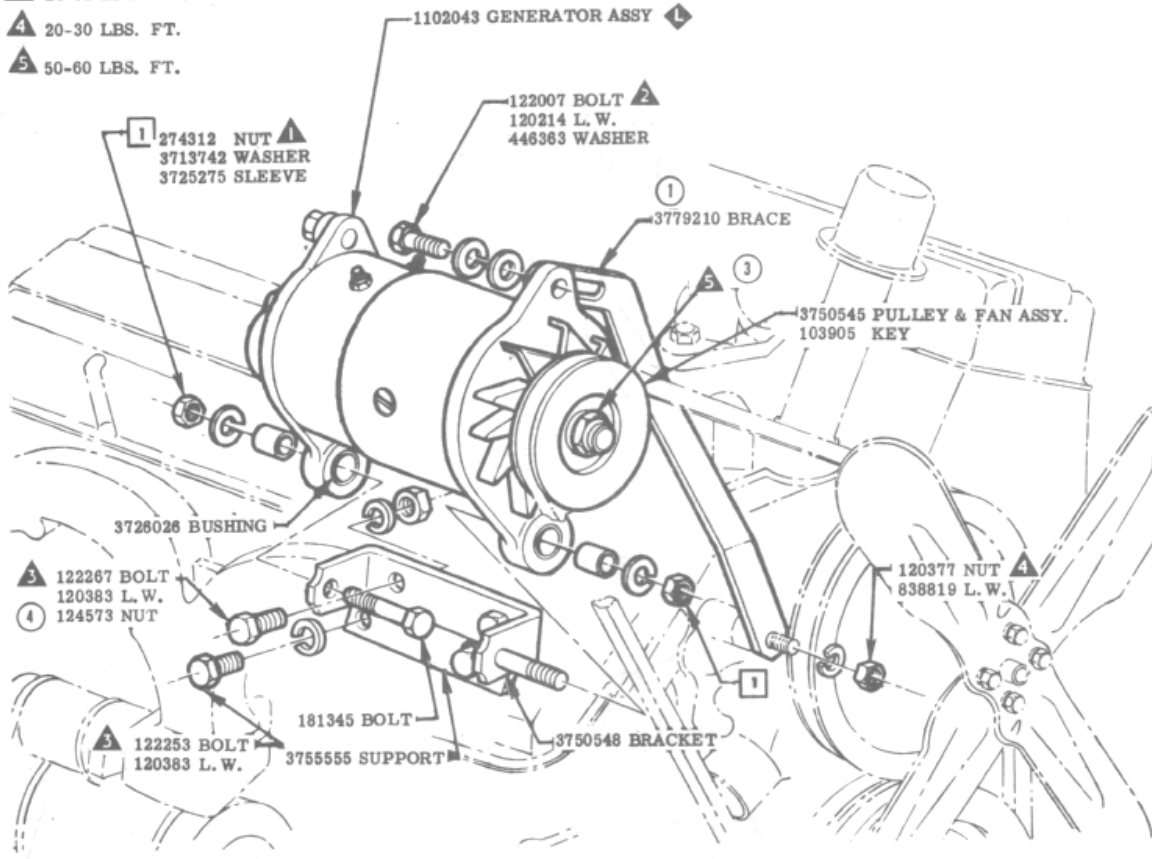


**GENERATOR**

1-21-60	4	WAS 271501	23050	WS	F	NAME	CORVETTE INSTRUCTION MANUAL			
	3	TORQUE ADDED				REF.	DRAWN	CHECKED	SECT.	SHEET
1-8-60	2	VIEW ADDED	10231	WS		19977	OHRYN	BUCK	6	5.00
12-17-59	1	WAS 3770360 RELEASED	23127	RV	F	DATE	PART No. 3774300			
DATE	SYM.	REVISION RECORD	AUTH.	DR.	CK.	5-26-59				

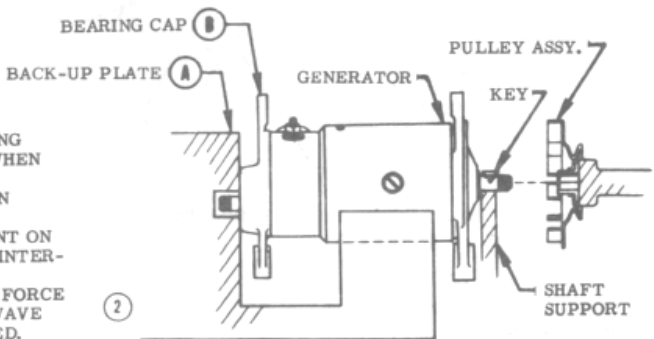


- ▲ 20-25 LBS. FT.
- ▲ 14-18 LBS. FT.
- ▲ 24-32 LBS. FT.
- ▲ 20-30 LBS. FT.
- ▲ 50-60 LBS. FT.



MANDATORY GENERATOR PULLEY ASSY.  
(TO AVOID DAMAGE TO BEARINGS)

1. CRADLE THE GENERATOR IN A FIXTURE WITH BACK-UP PLATE (A) AGAINST THE REAR BEARING CAP (B) (TO AVOID DAMAGE TO BEARING CAP (B) WHEN INSTALLING THE PULLEY).
2. INSERT KEY INTO KEYWAY USING A SUPPORT ON THE LOWER SIDE OF SHAFT.
3. LINE UP KEY WITH KEYWAY IN PULLEY & MOUNT ON SHAFT, USING A STEADY PRESS ON PULLEY IF INTERFERENCE IS ENCOUNTERED.
4. USING A STALL WRENCH & APPLYING A BRAKE FORCE IN THE PULLEY GROOVE, TORQUE NUT. THE WAVE WASHER MUST BE FLAT AFTER NUT IS TORQUED.



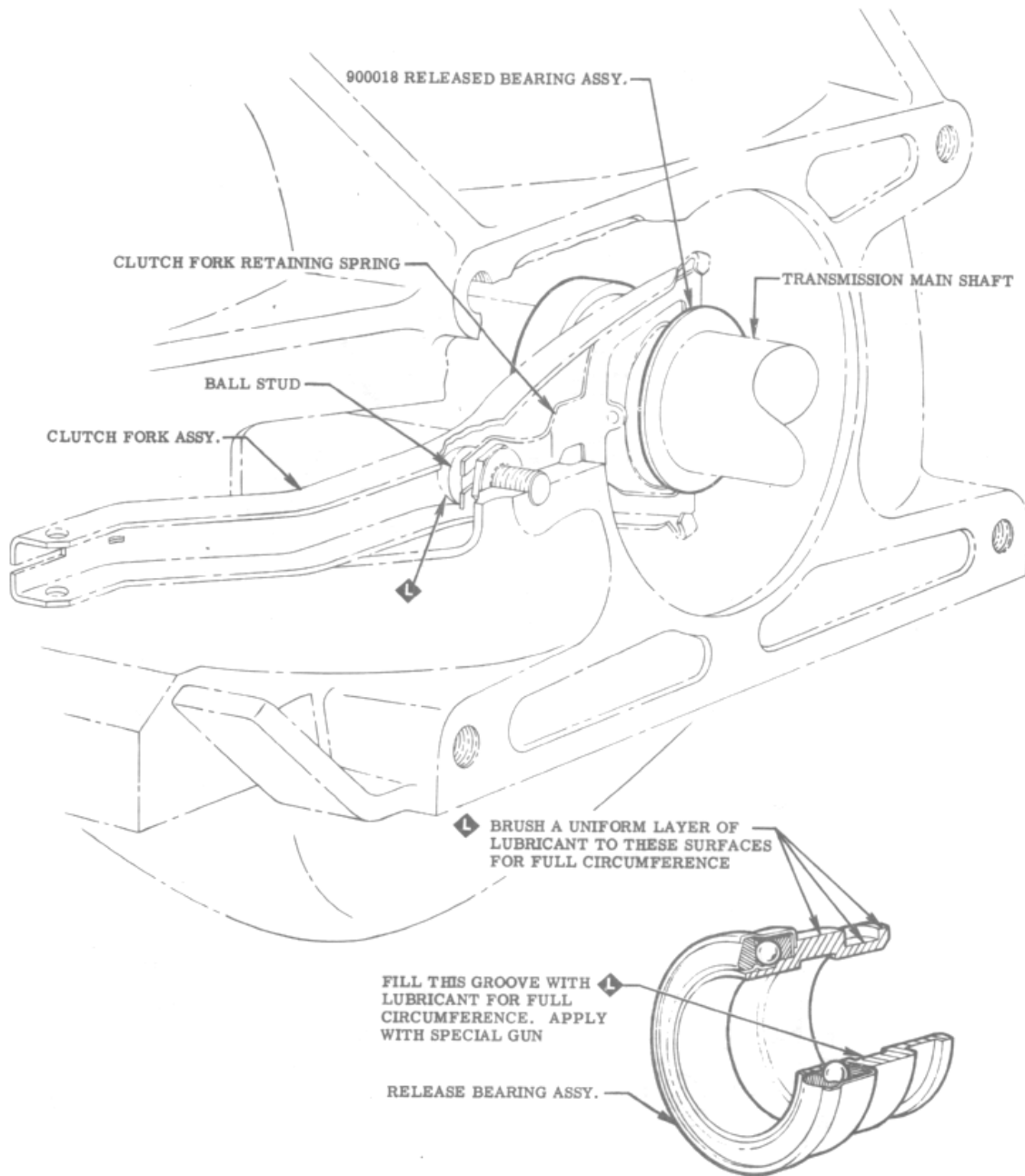
**GENERATOR**

1-21-60	4	WAS 271501	23050	WS	F	NAME	CORVETTE INSTRUCTION MANUAL			
	3	TORQUE ADDED				REF.	DRAWN	CHECKED	SECT.	SHEET
1-8-60	2	VIEW ADDED	10231	WS		19077	OHRYN	BUCK	6	5.00
12-17-59	1	WAS 3770360	23127	RV	F	DATE	PART No. 3774300			
		RELEASED				5-26-59				
DATE	SYM.	REVISION RECORD	AUTH.	DR.	CK.					







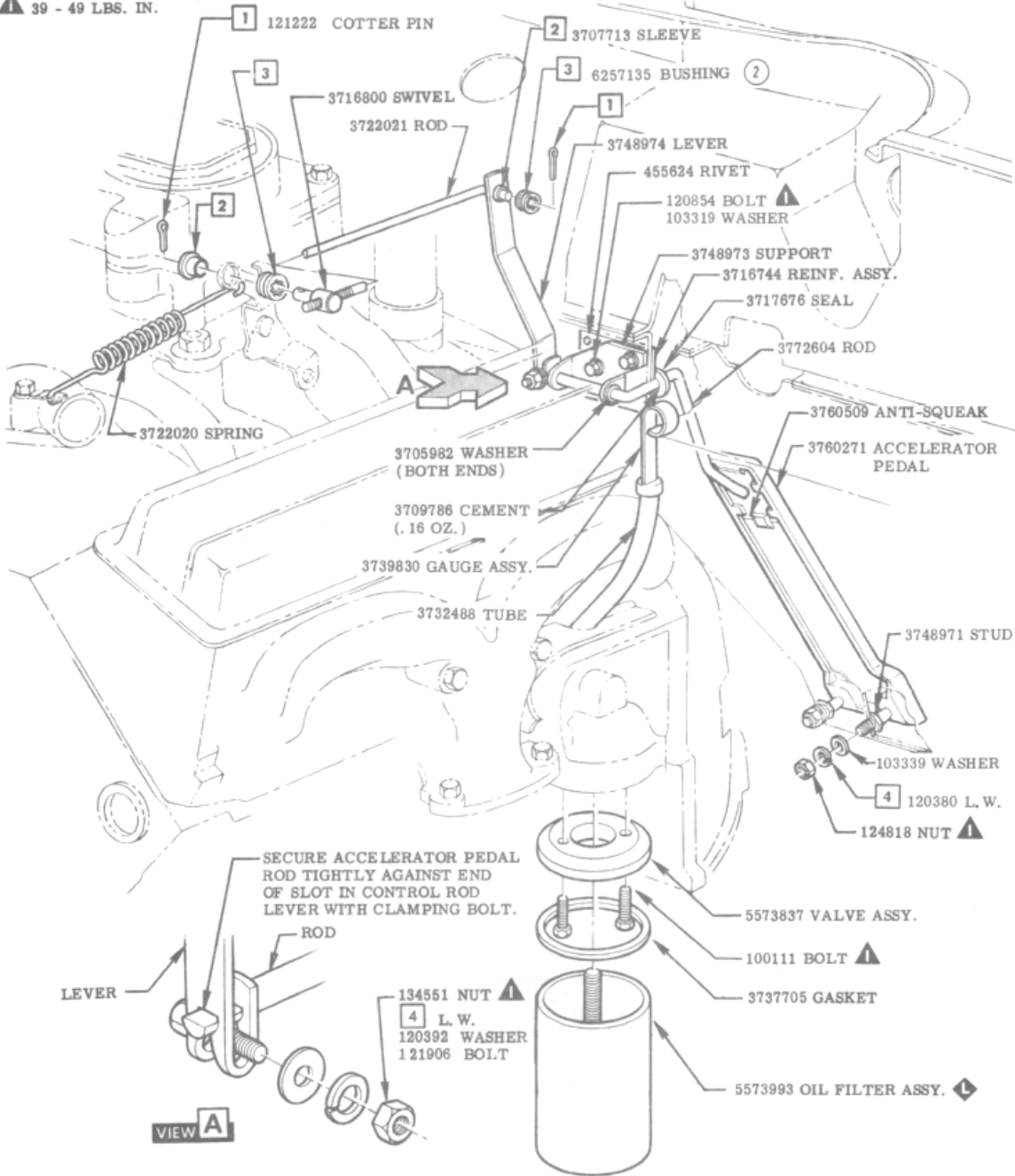


**CLUTCH RELEASE BEARING**

					CORVETTE INSTRUCTION MANUAL					
					NAME					
					REF.	19977	DRAWN	CHECKED	SECT.	SHEET
							OHRYN	BUCK	6	8.00
					DATE	PART No.				
DATE	SYM.	REVISION RECORD	AUTH.	DR.	CK.	5-26-59	3774300			

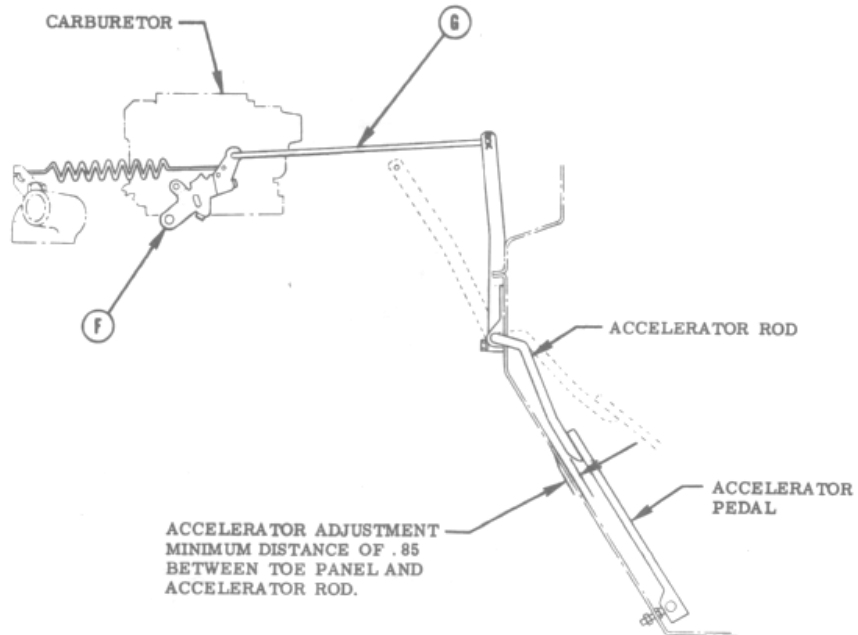


▲ 39 - 49 LBS. IN.



**ACCELERATOR, OIL FILTER & DIP STICK**

				NAME CORVETTE INSTRUCTION MANUAL						
4-30-60		2	WAS 3707710	25181	SB	REF. 19977	DRAWN OHYRN	CHECKED BUCK	SECT. 6	SHEET 9.00
DATE	SYM.	REVISION RECORD		AUTH.	DR. CK.	DATE 5-26-59	PART No. 3774300			



ACCELERATOR ADJUSTMENT

1. WITH ACCELERATOR PEDAL DEPRESSED, PLACING LOWEST POINT ON ACCELERATOR ROD THE INDICATED DISTANCE ABOVE THE TOE PANEL, AND LEVER (F) ROTATED TO WIDE OPEN POSITION, ADJUST SWIVEL IN ROD (G) FOR FREE ENTRY INTO LEVER (F) BEFORE FIXING SWIVEL TO LEVER (F)
2. CHECK ADJUSTMENT BY RELEASING, THEN DEPRESSING ACCELERATOR PEDAL, CHECK LEVER (F) FOR WIDE OPEN POSITION. IF LEVER (F) WILL NOT REACH WIDE OPEN POSITION, REPEAT STEP 1.

ACCELERATOR ADJUSTMENT

				NAME				CORVETTE INSTRUCTION MANUAL			
				REF.	DRAWN	CHECKED	SECT.	SHEET			
				19977	OHRYN	BUCK	6	10.00			
				DATE	PART No.						
DATE	SYM.	REVISION RECORD	AUTH.	DR.	CK.	5-26-59	3774300				
RELEASED											

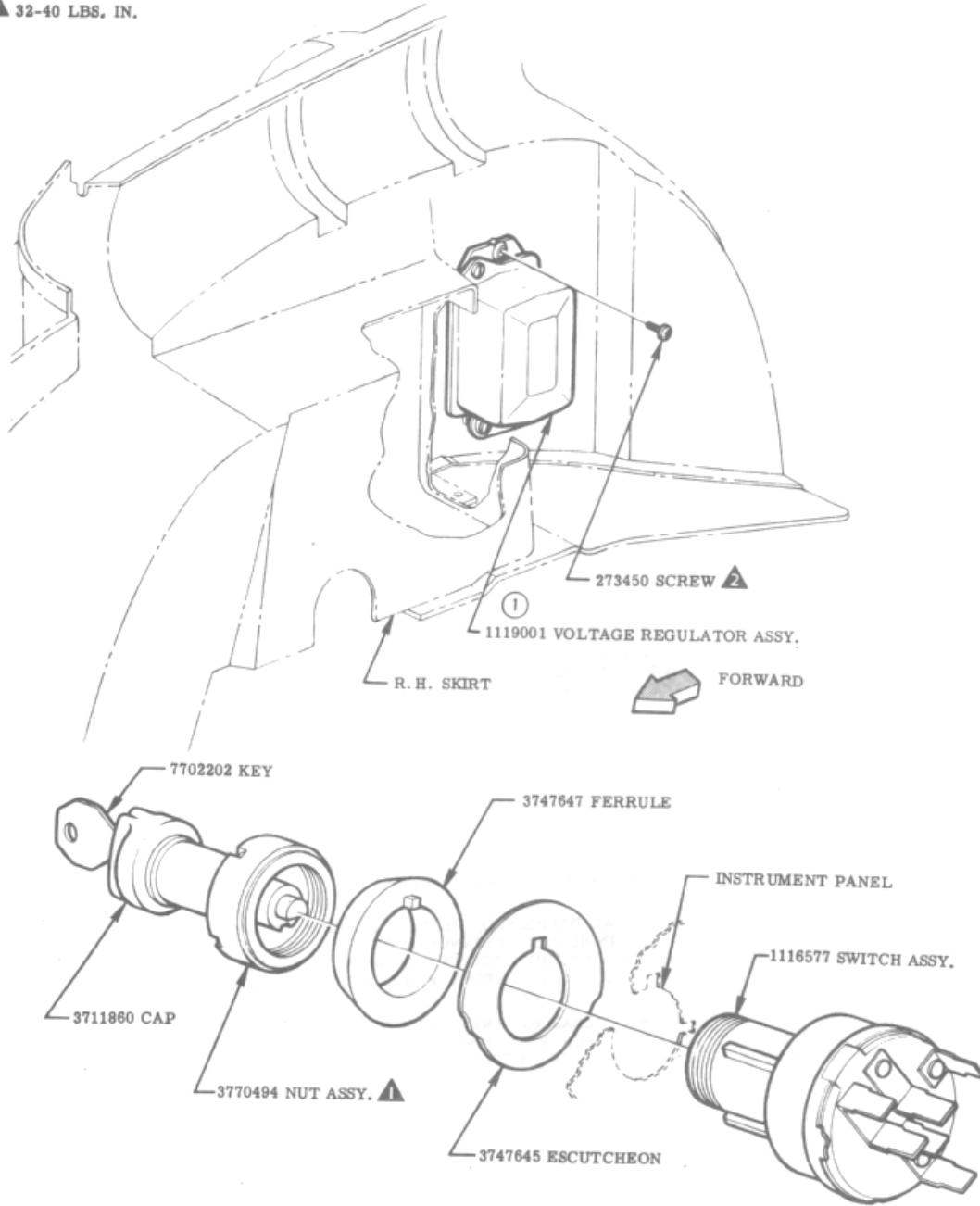
CHEVROLET MOTOR DIVISION



GENERAL MOTORS CORPORATION

▲ 20-25 LBS. IN.

▲ 32-40 LBS. IN.



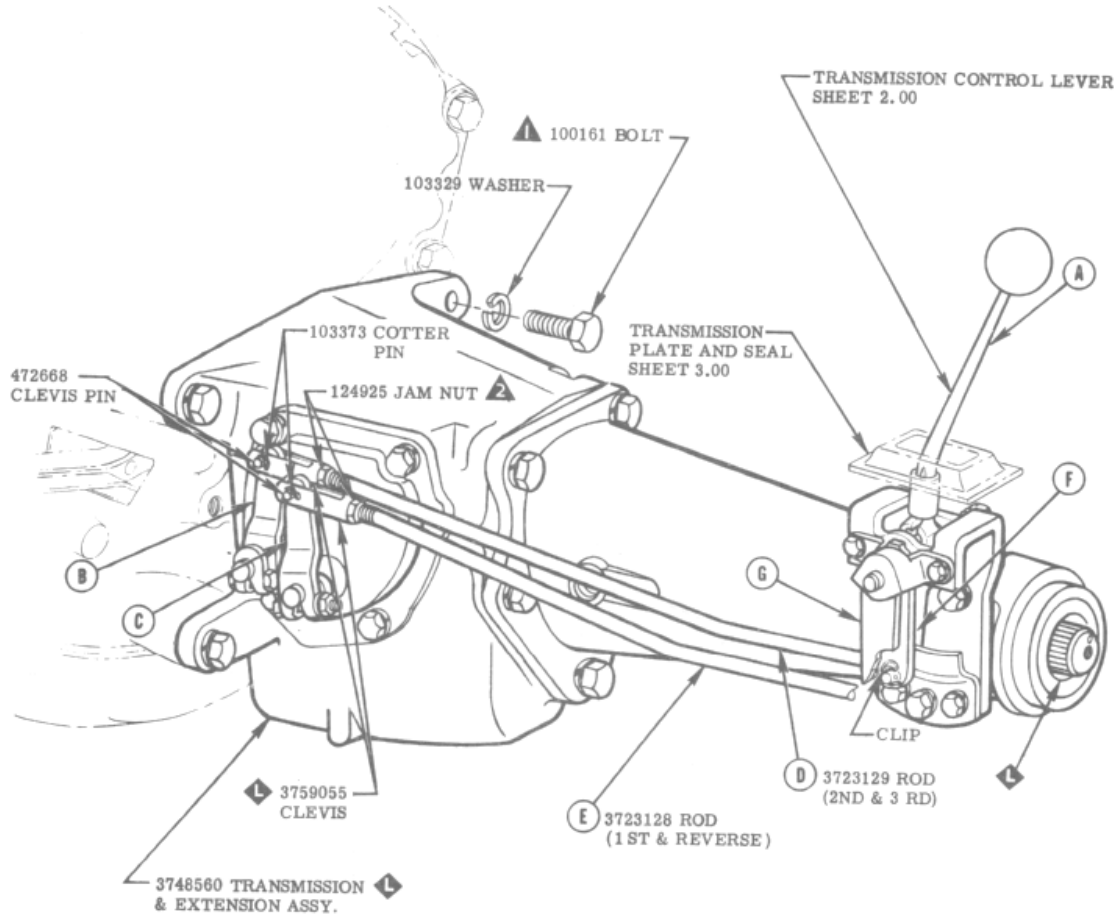
**VOLTAGE REGULATOR & IGNITION SWITCH**

				NAME					CORVETTE INSTRUCTION MANUAL			
7-6-59	1	WAS 1119261	19917	WO	F	REF.	19977	DRAWN	W. OHRYN	CHECKED	SECT.	SHEET
5-26-59		RELEASED	19977			DATE	5-26-59	PART No.	3 7 7 4 3 0 0		6	11.00
DATE	SYM.	REVISION RECORD	AUTH.	DR.	CK.							



▲ 40-50 LBS. FT.

▲ 11-16 LBS. FT.



TRANSMISSION LEVER & LINKAGE ADJUSTMENT

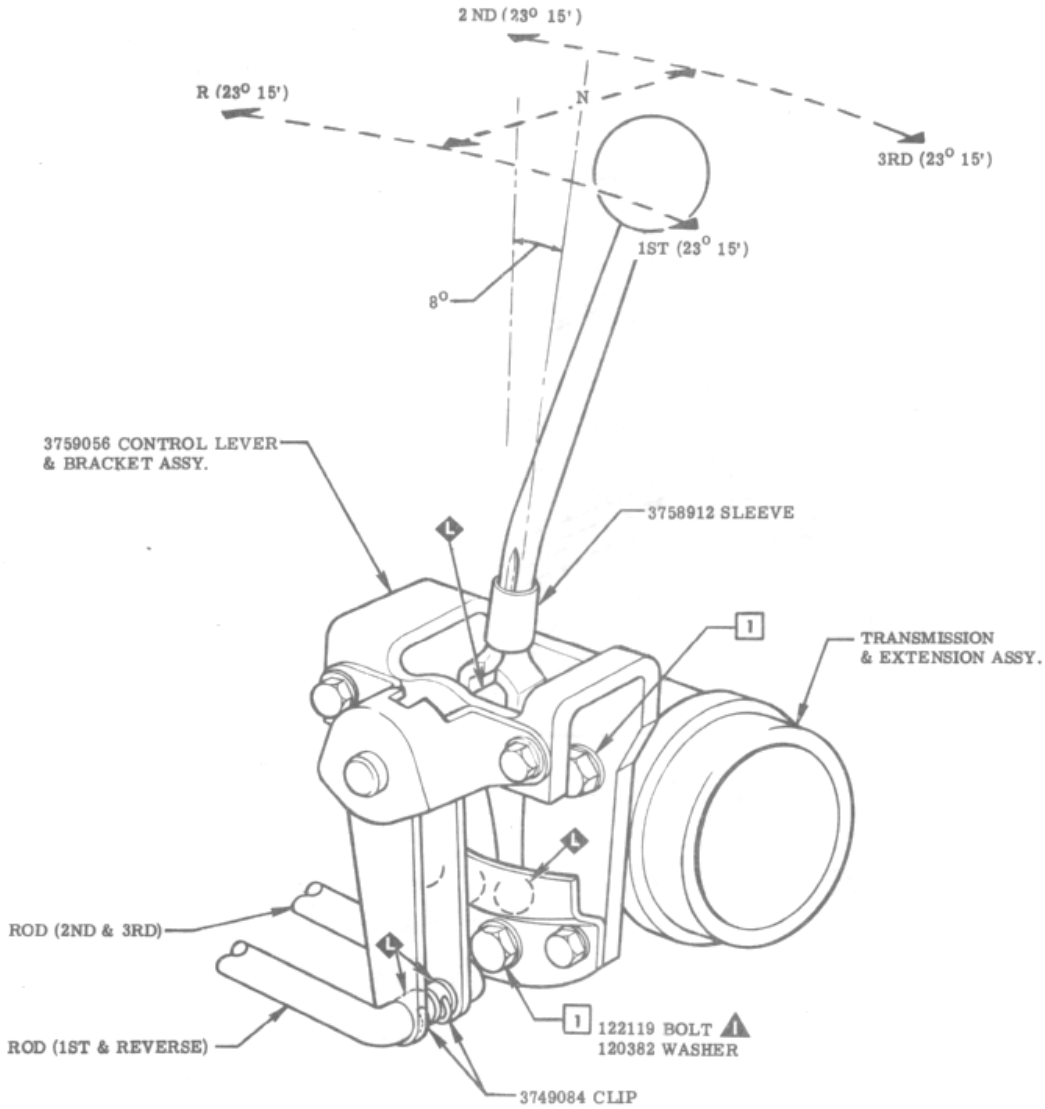
1. SET LEVERS (A), (B), & (C) IN NEUTRAL DETENT POSITION. INSTALL ROD (D) ON LEVER (F) & INSERT CLIP.
2. ADJUST CLEVIS UNTIL CLEVIS PIN CAN BE FREELY ADMITTED THRU HOLES IN CLEVIS & LEVER (B).
3. INSTALL CLEVIS PIN & COTTER PIN.
4. MOVE LEVER (A) TO 1ST. & REVERSE SIDE MAINTAINING LEVER (A) IN NEUTRAL DETENT.
5. INSTALL ROD (E) ON LEVER (C) & INSERT CLIP.
6. ADJUST CLEVIS UNTIL CLEVIS PIN CAN BE FREELY ADMITTED THRU HOLES IN CLEVIS & LEVER (C).
7. INSTALL CLEVIS PIN & COTTER PIN.

TRANSMISSION INDEX

					NAME				CORVETTE INSTRUCTION MANUAL			
					REF.	DRAWN	CHECKED	SECT.	SHEET			
					19977	OHRYN	BUCK	7			1.00	
					DATE	PART No.						
DATE	SYM.	REVISION RECORD	AUTH.	DR.	CK.	6-4-59	3774300					



▲ 15 - 20 LBS. FT.



**TRANSMISSION CONTROL**

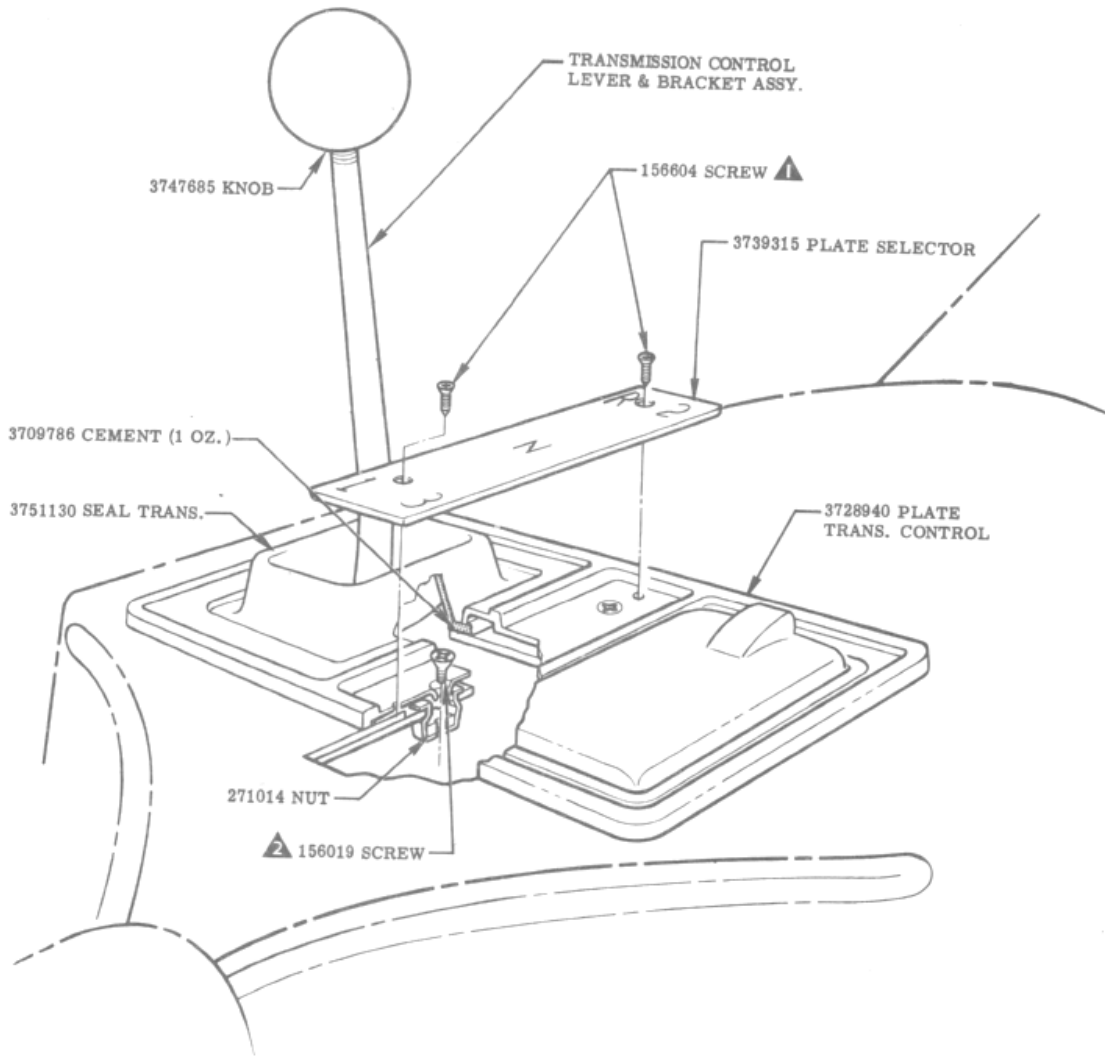
						NAME	CORVETTE INSTRUCTION MANUAL			
						REF.	DRAWN	CHECKED	SECT.	SHEET
						19977	OHRYN	BUCK	7	2.00
						DATE	PART No.			
DATE	SYM.	REVISION RECORD	AUTH.	DR.	CK.	5-26-59	3 7 7 4 3 0 0			

CHEVROLET MOTOR DIVISION



GENERAL MOTORS CORPORATION

- ▲ 9-15 LBS. IN.
- ▲ 25-35 LBS. IN.



**PLATE & SEAL**

					NAME				CORVETTE INSTRUCTION MANUAL			
					REF.	DRAWN	CHECKED	SECT.	SHEET			
					19977	OHRYN	BUCK	7	3.00			
					DATE	PART No.			3 7 7 4 3 0 0			
DATE	SYM.	REVISION RECORD	AUTH.	DR.	CK.	5-26-59						

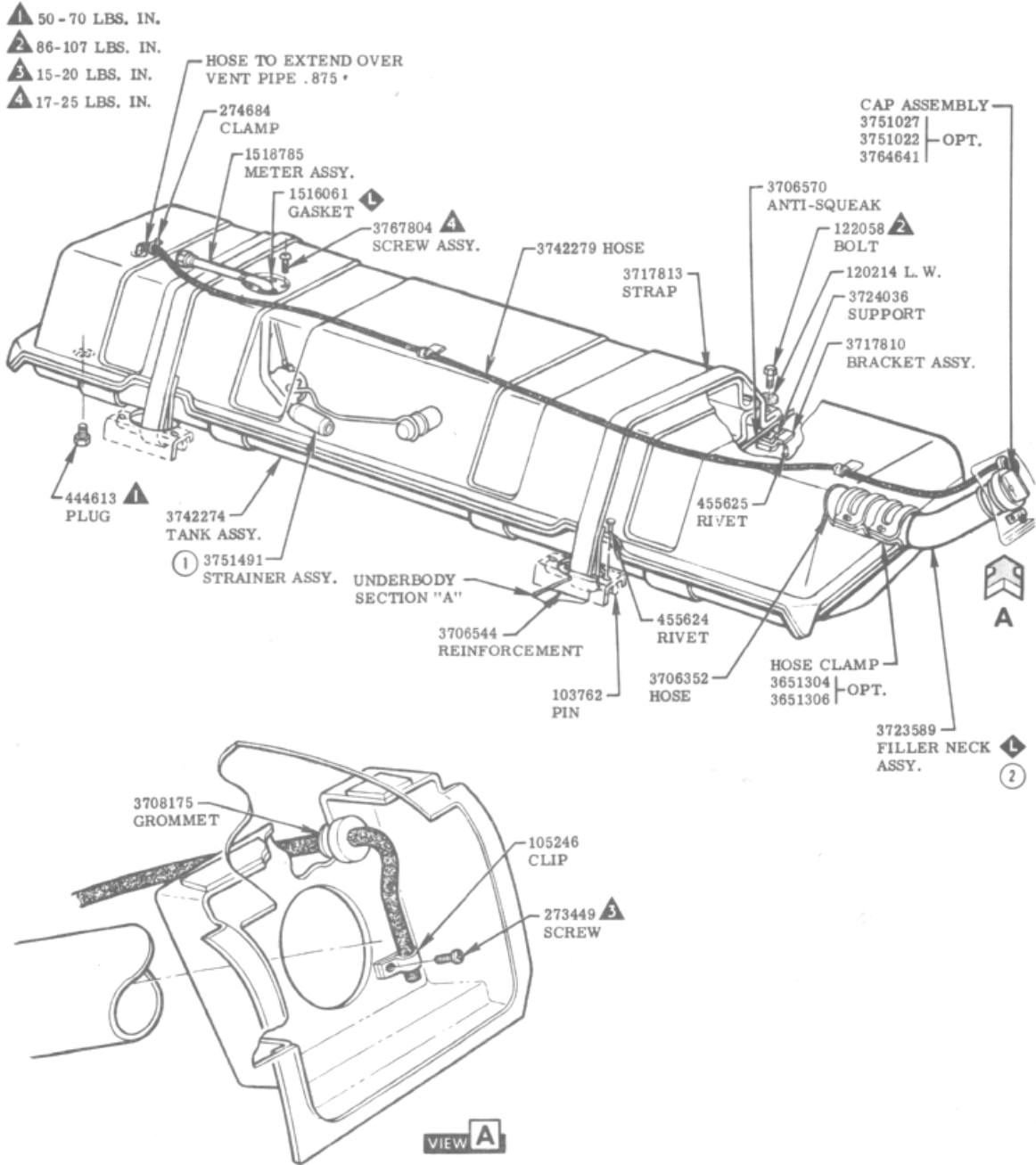




CHEVROLET MOTOR DIVISION



GENERAL MOTORS CORPORATION

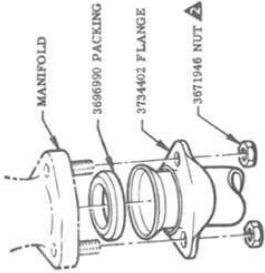


**FUEL TANK**

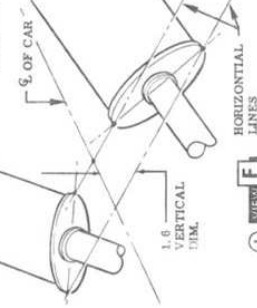
CORVETTE INSTRUCTION MANUAL											
DATE	SYM.	REVISION RECORD	AUTH.	DR.	CK.	NAME	REF.	DRAWN	CHECKED	SECT.	SHEET
9-14-59	2	LUBE SYMBOL ADDED	2370	CS	B	SHAFAER	19977	SHAFAER	BUCK	8	2.00
7-21-59	1	PART ADDED	20462	TH	F						
		RELEASED									
							DATE	PART No. 3774300			
							5-26-59				

- ▲ 40-80 LBS. IN.
- ▲ 15-20 LBS. FT.
- ▲ 39-49 LBS. IN.
- ▲ 14-18 LBS. FT.
- ▲ 42-52 LBS. IN.
- ▲ 10-15 LBS. IN.

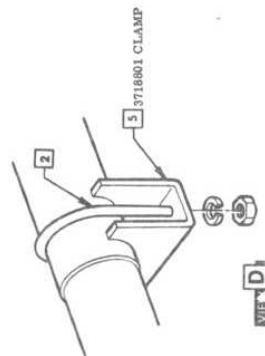
**NOTE** Before tightening clamps rotate mufflers to specified offset dim.



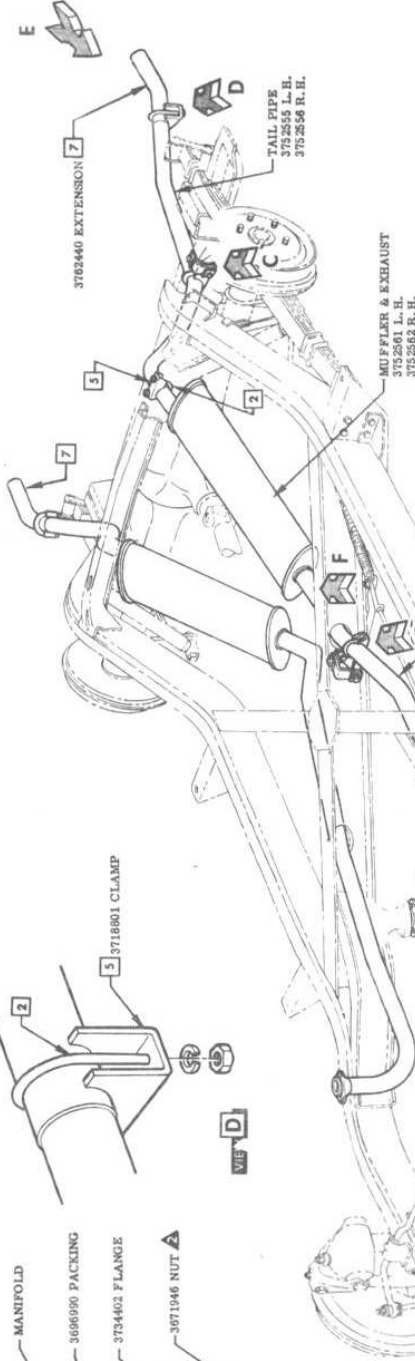
**VIEW A**



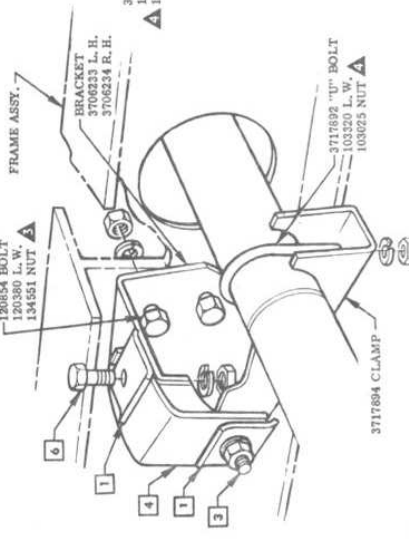
**VIEW F**



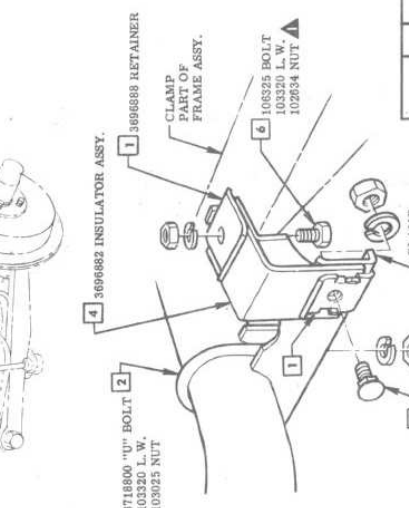
**VIEW D**



**VIEW E**



**VIEW B**



**VIEW C**

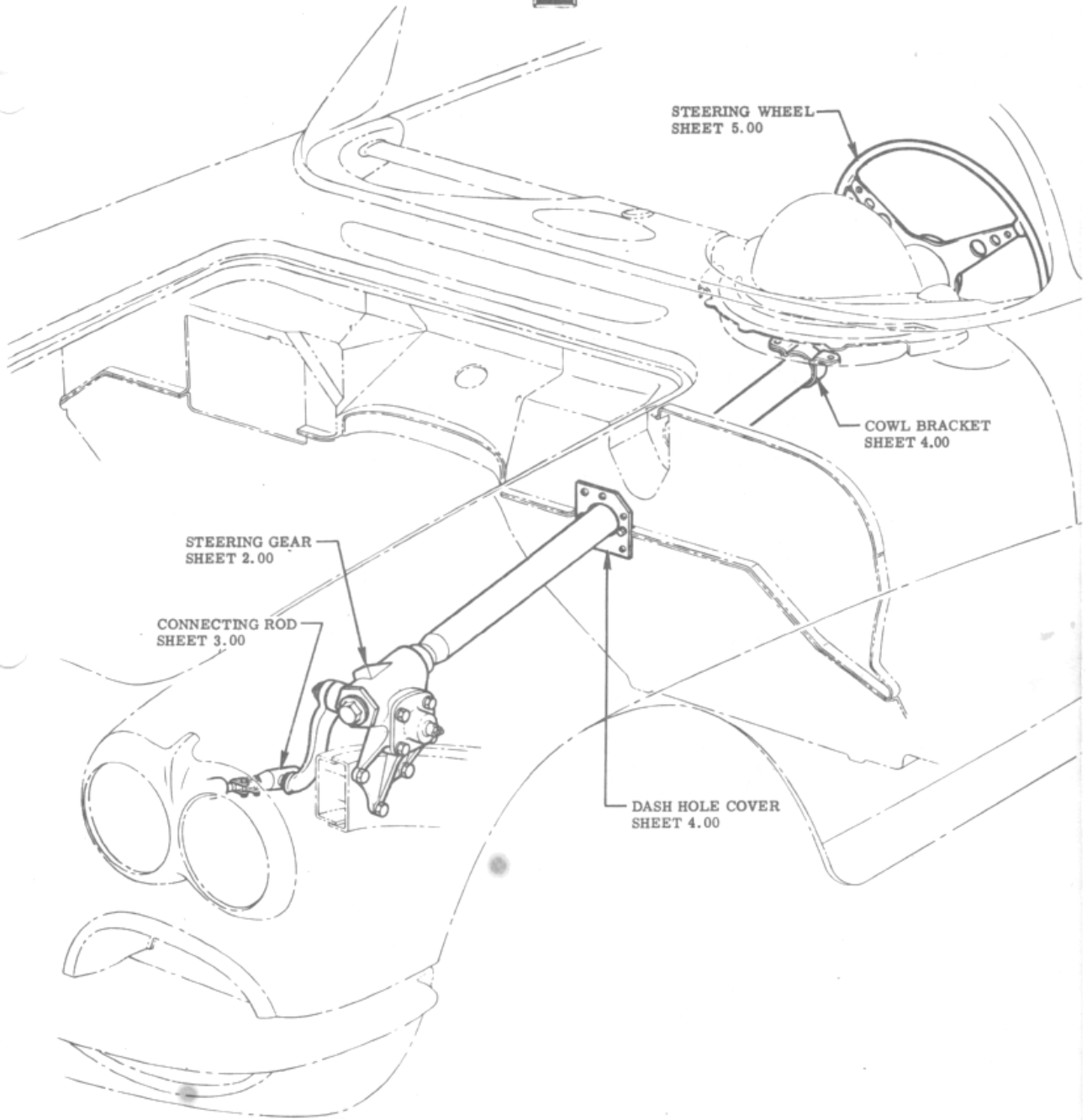
CORVETTE INSTRUCTION MANUAL		CORVETTE INSTRUCTION MANUAL	
NAME	REF.	DRAWN	CHECKED
		SHAFFER	BUCK
3-19-60	1	VIEW ADDED	27572 RV F
DATE	SYMBOL	RELEASED	DATE
			3-26-50
		REVISION RECORD	AUTH. DR. CK.
			3774300
			PART No.
			8
			3.00
			SHEET

EXHAUST SYSTEM

CHEVROLET MOTOR DIVISION



GENERAL MOTORS CORPORATION

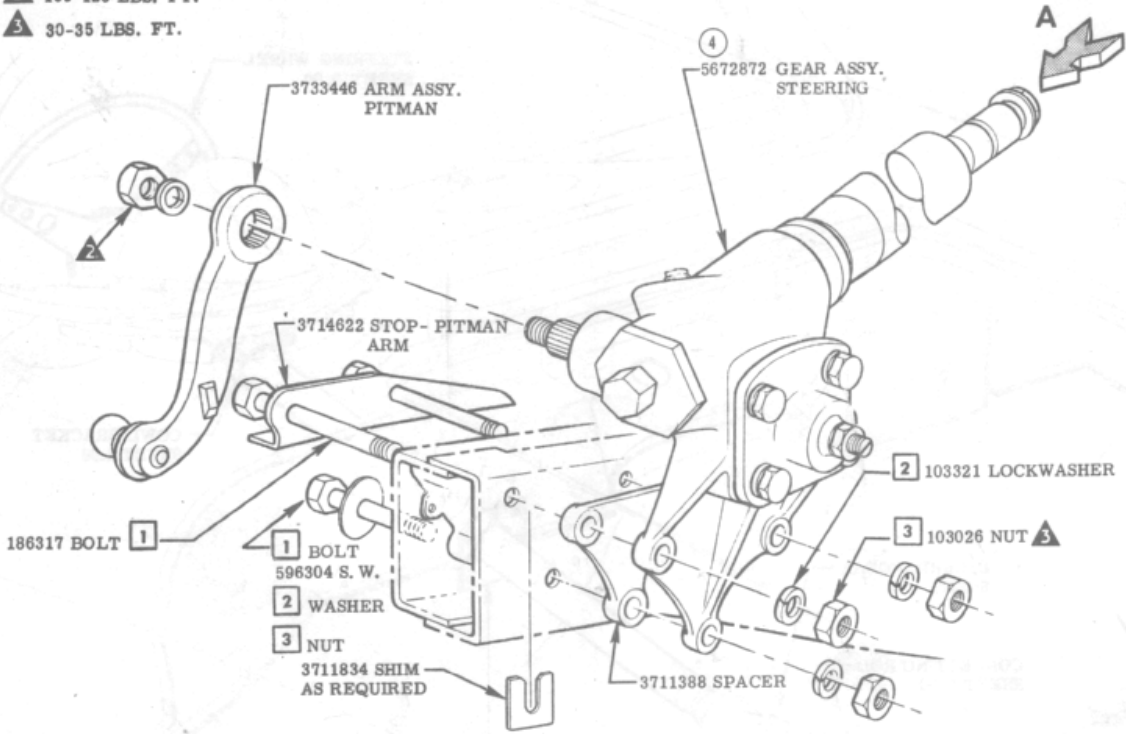


**STEERING INDEX**

							NAME	CORVETTE INSTRUCTION MANUAL			
							REF.	DRAWN	CHECKED	SECT.	SHEET
							19977	ORR	BUCK	9	1.00
							DATE	PART No. 3774300			
							5-27-59				
DATE	SYM.	REVISION RECORD			AUTH.	DR.	CK.				

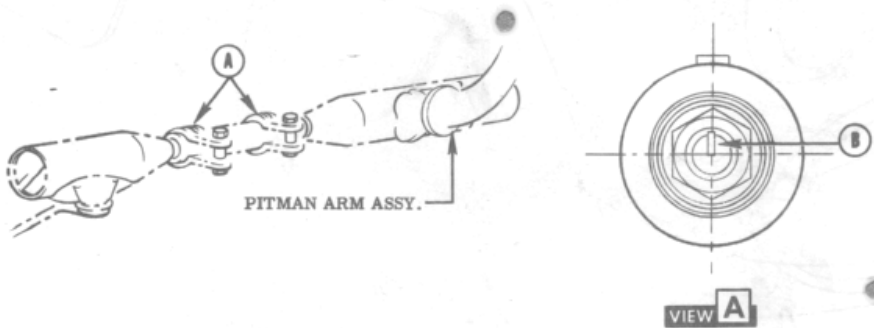


- ▲ 100-125 LBS. FT.
- ▲ 30-35 LBS. FT.



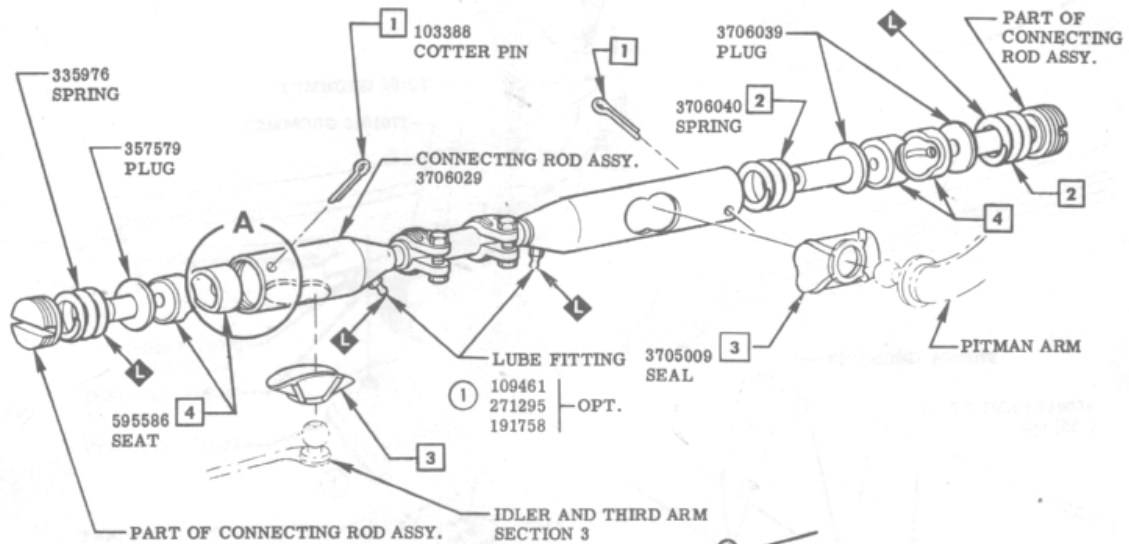
STEERING GEAR ADJUSTMENT

1. SET ROAD WHEELS IN STRAIGHT AHEAD POSITION.
2. LOOSEN CLAMPS (A) ON CONNECTING ROD.
3. ADJUST LENGTH OF CONNECTING ROD SO THAT THE MARK (B) IS STRAIGHT UP WHEN WHEELS ARE IN STRAIGHT AHEAD POSITION & RETIGHTEN CLAMPS (A).

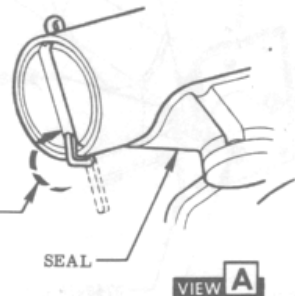


STEERING GEAR

				CORVETTE INSTRUCTION MANUAL							
				NAME	CORVETTE INSTRUCTION MANUAL						
				REF.	19977	DRAWN	ORR	CHECKED	BUCK	SECT.	SHEET
11-19-59	4	WAS 5674526	22176	CO	HB	DATE	5-28-59	PART No.	3774300	9	2.00
DATE	SYM.	REVISION RECORD	AUTH.	DR.	CK.						



NOTE:  
 INSERT COTTER PIN IN HOLE WHICH IS THE GREATEST  
 DISTANCE FROM SEAL AS SHOWN. BEND OVER END OF  
 DRAG LINK, NOT SIDE. BOTH ENDS.

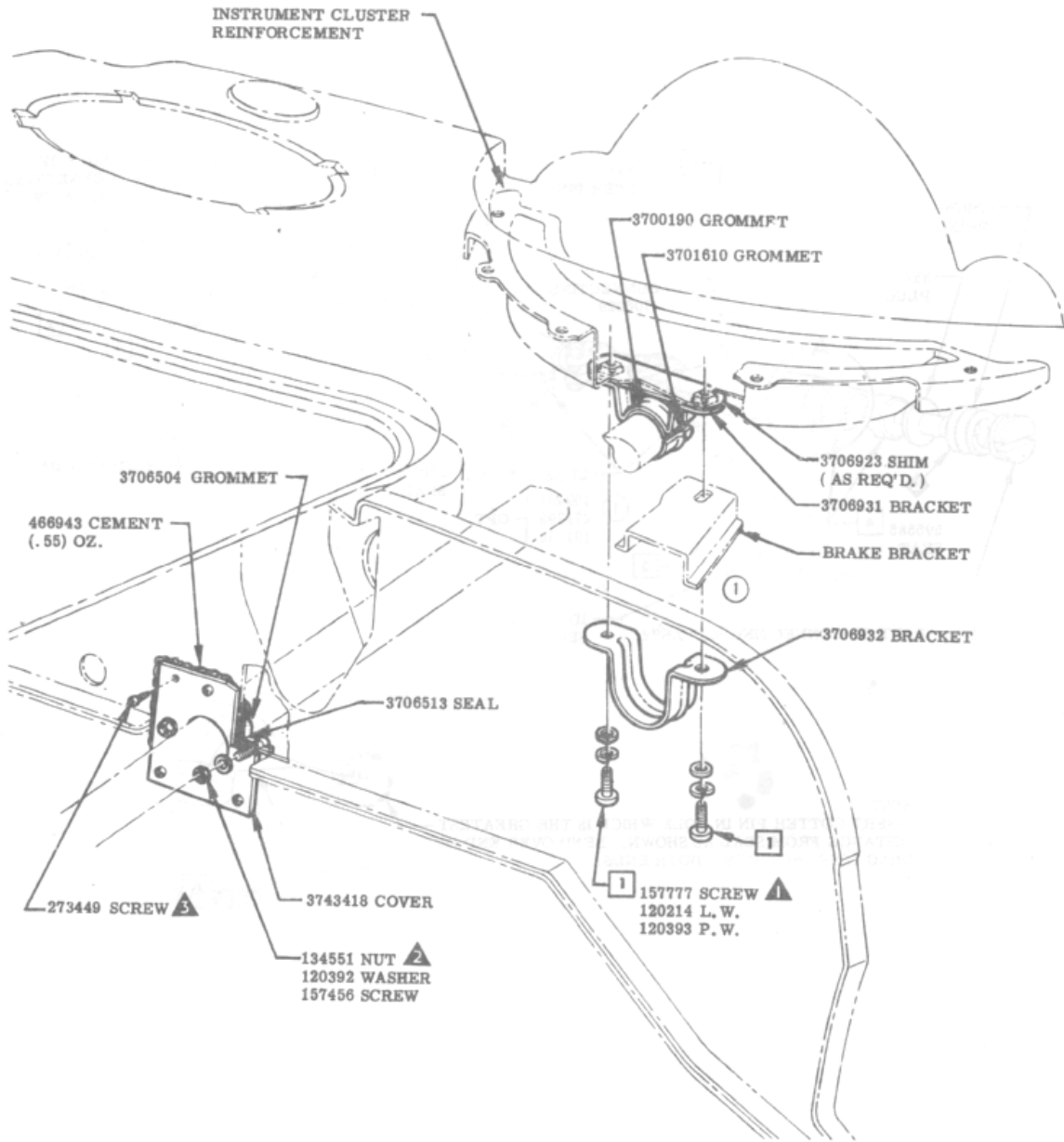


**CONNECTING ROD**

					NAME					CORVETTE INSTRUCTION MANUAL				
					REF.		DRAWN		CHECKED		SECT.		SHEET	
4-5-60					1		119512 OPT. REMOVED		ORR		BUCK		9	
							RELEASED						3.00	
DATE					SYM.					REVISION RECORD				
										AUTH. DR. CK.				
										DATE				
										5-28-59				
										PART No.				
										3 7 7 4 3 0 0				



- ▲ 69-86 LBS. IN.
- ▲ 42-52 LBS. IN.
- ▲ 20-25 LBS. IN.



**COWL BRACKET & DASH HOLE COVER**

				CORVETTE INSTRUCTION MANUAL			
DATE	SYM.	REVISION RECORD	AUTH.	DR.	CK.	REF.	PART No.
3-23-60	1	BRAKE BRACKET RELOCATED RELEASED	CO	F		19977	3774300
						5-27-59	

NAME	CORVETTE INSTRUCTION MANUAL
DRAWN	ORR
CHECKED	BUCK
DATE	5-27-59
REF.	19977
SECT.	9
SHEET	4.00

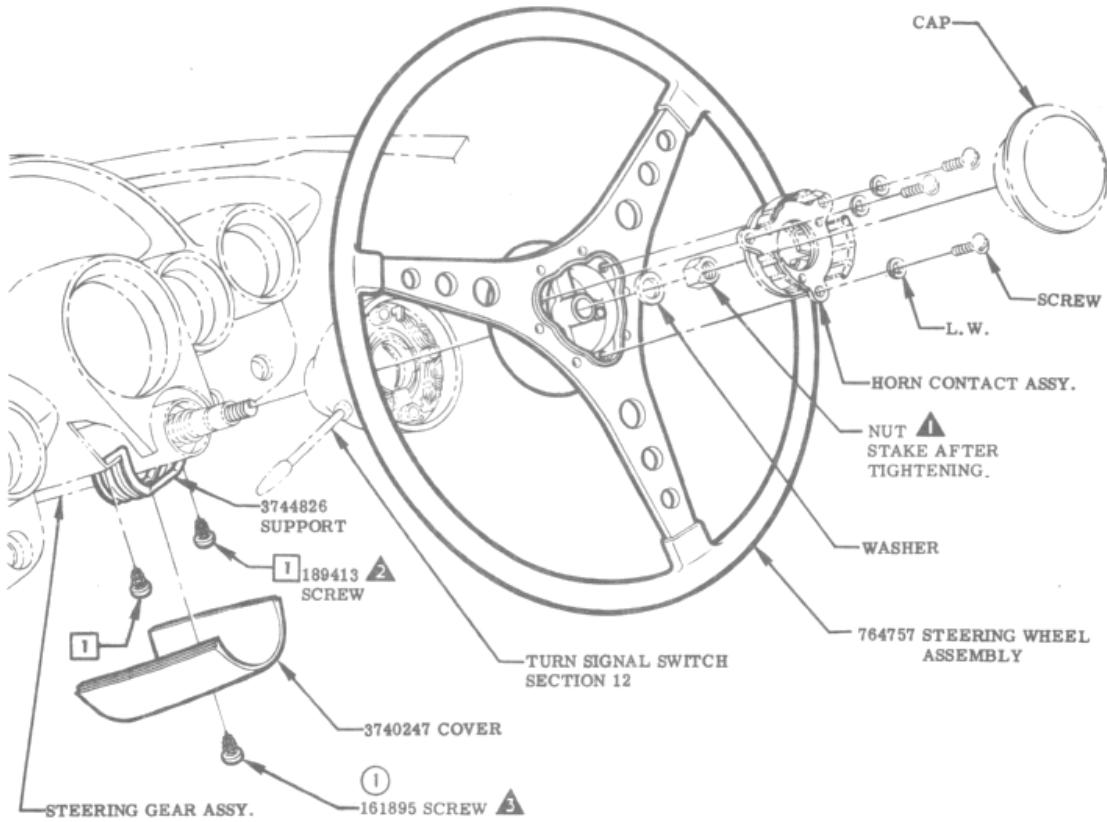
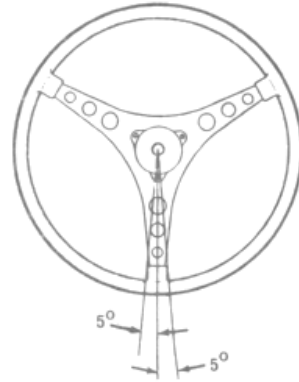
CHEVROLET MOTOR DIVISION



GENERAL MOTORS CORPORATION

- ▲ 1 35-40 LBS. FT.
- ▲ 2 11-15 LBS. IN.
- ▲ 3 20-25 LBS. IN.

SET STEERING WHEEL AS SHOWN WITH ROAD WHEELS IN STRAIGHT AHEAD POSITION



**STEERING WHEEL**

					NAME					CORVETTE INSTRUCTION MANUAL						
7-13-59		1	WAS 161897		21077	CO	F	REF.		19977	DRAWN	ORR	CHECKED	BUCK	SECT.	SHEET
DATE		SYM.	REVISION RECORD			AUTH.	DR.	CK.	DATE		PART No.			9	5.00	
									6-10-59		3 7 7 4 3 0 0					

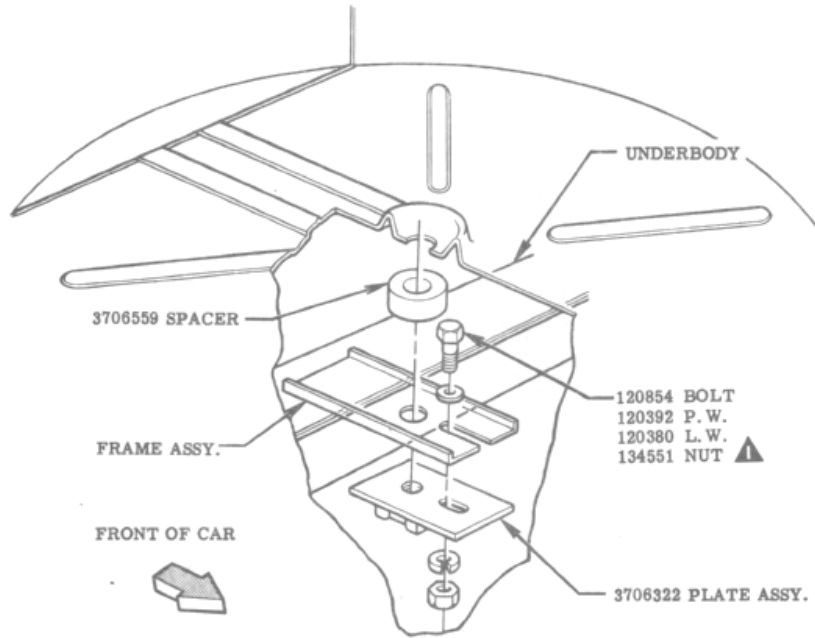


CHEVROLET MOTOR DIVISION

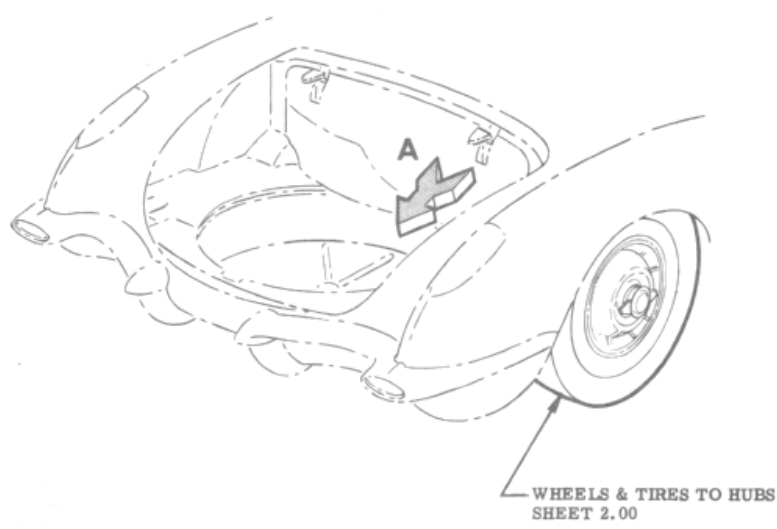


GENERAL MOTORS CORPORATION

▲ 39-49 LBS. IN.



VIEW A

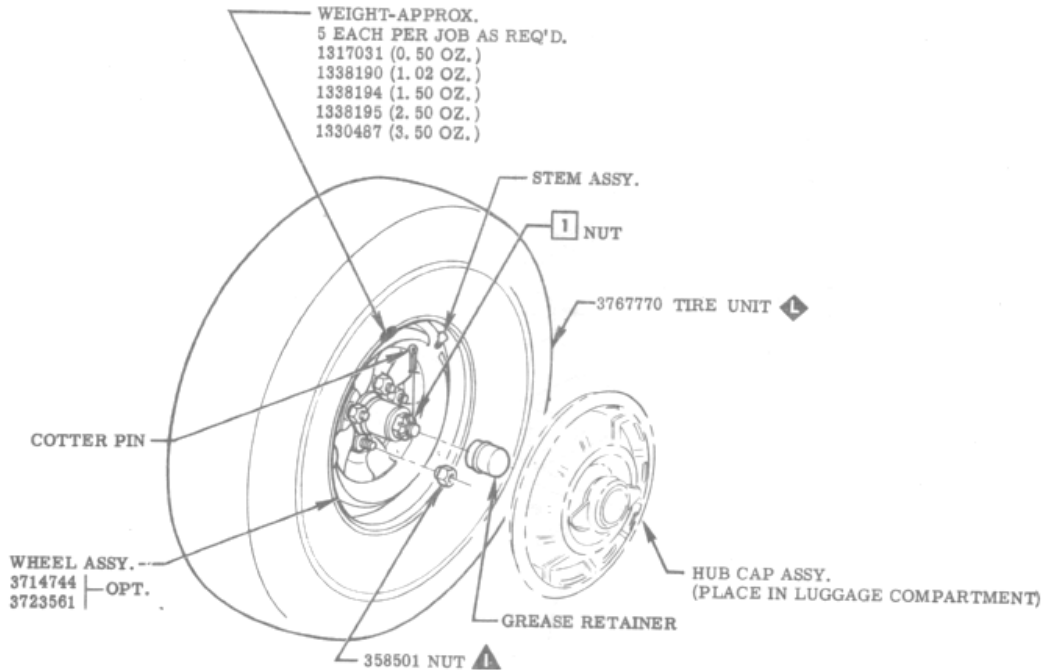


**WHEEL & TIRES**

					NAME CORVETTE INSTRUCTION MANUAL				
					REF.	DRAWN	CHECKED	SECT.	SHEET
					19977	SHAFAER	BUCK	10	1.00
					DATE	PART No. 3 7 7 4 3 0 0			
DATE	SYM.	RELEASED	REVISION RECORD	AUTH.	DR.	CK.	5-26-59		

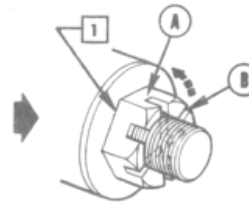


▲ 55-65 LBS. FT.

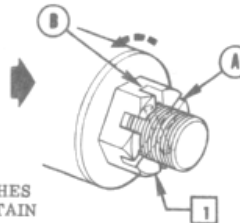


FRONT WHEEL BEARING ADJUSTMENT

TIGHTEN NUT TO 400 POUND INCHES ON TORQUE WRENCH. IF, AT THIS POINT SLOT (A) IN THE NUT LINES UP WITH EITHER OF THE HOLES IN THE SPINDLE, BACK OFF THE NUT (1/8 TURN) UNTIL THE NEXT SLOT (B) LINES UP WITH THIS SAME HOLE AND INSERT COTTER PIN.



TIGHTEN NUT TO 400 POUND INCHES ON TORQUE WRENCH. IF, WHEN THE NUT IS TIGHT, THE SLOT (A) HAS PASSED BEYOND THE POINT OF LINING UP WITH THE COTTER PIN HOLE, BACK OFF THE NUT A SUFFICIENT AMOUNT (LESS THAN 1/8 TURN) TO LINE UP THE SECOND NEXT SLOT (B) AND THE OTHER COTTER PIN HOLE.



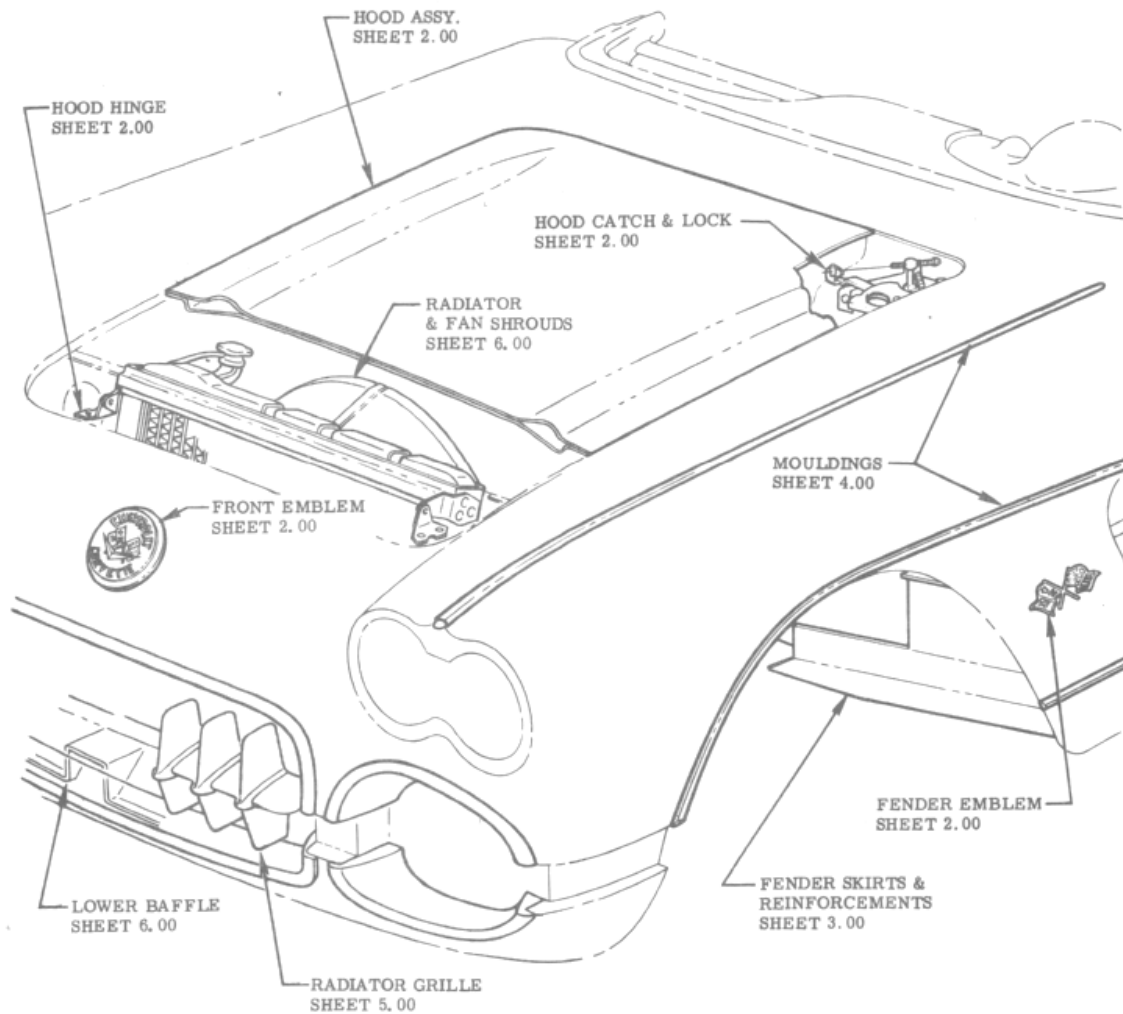
NOTE: IT IS IMPORTANT THAT WRENCHES BE CHECKED PERIODICALLY TO MAINTAIN SPECIFIED LOAD.

ALL TIRES OF SAME SIZE AND PLY RATING FURNISHED WITH ANY VEHICLE SHALL BE OF SAME MAKE

ALL WHEEL AND TIRE ASSEMBLIES ARE TO BE CHECKED FOR STATIC UNBALANCE. ADD WEIGHTS TO INSIDE OF WHEEL AT RIM EDGE TO OBTAIN A MAXIMUM UNBALANCE CONDITION OF FIVE (5) OUNCE INCHES.

WHEELS & TIRES TO HUBS

						CORVETTE INSTRUCTION MANUAL				
						NAME				
						REF.	DRAWN	CHECKED	SECT.	SHEET
						19977	SHAFAER	BUCK	10	2.00
						DATE	PART No. 3774300			
DATE	SYM.	REVISION RECORD	AUTH.	DR.	CK.	5-27-59				



**HOOD, FENDERS & RADIATOR - INDEX**

						NAME	CORVETTE INSTRUCTION MANUAL			
						REF.	DRAWN	CHECKED	SECT.	SHEET
						19977	MISKULIN	BUCK	11-13	1.00
						DATE	PART No.			
		RELEASED				6-5-59	3774300			
DATE	SYM.	REVISION RECORD	AUTH.	DR.	CK.					



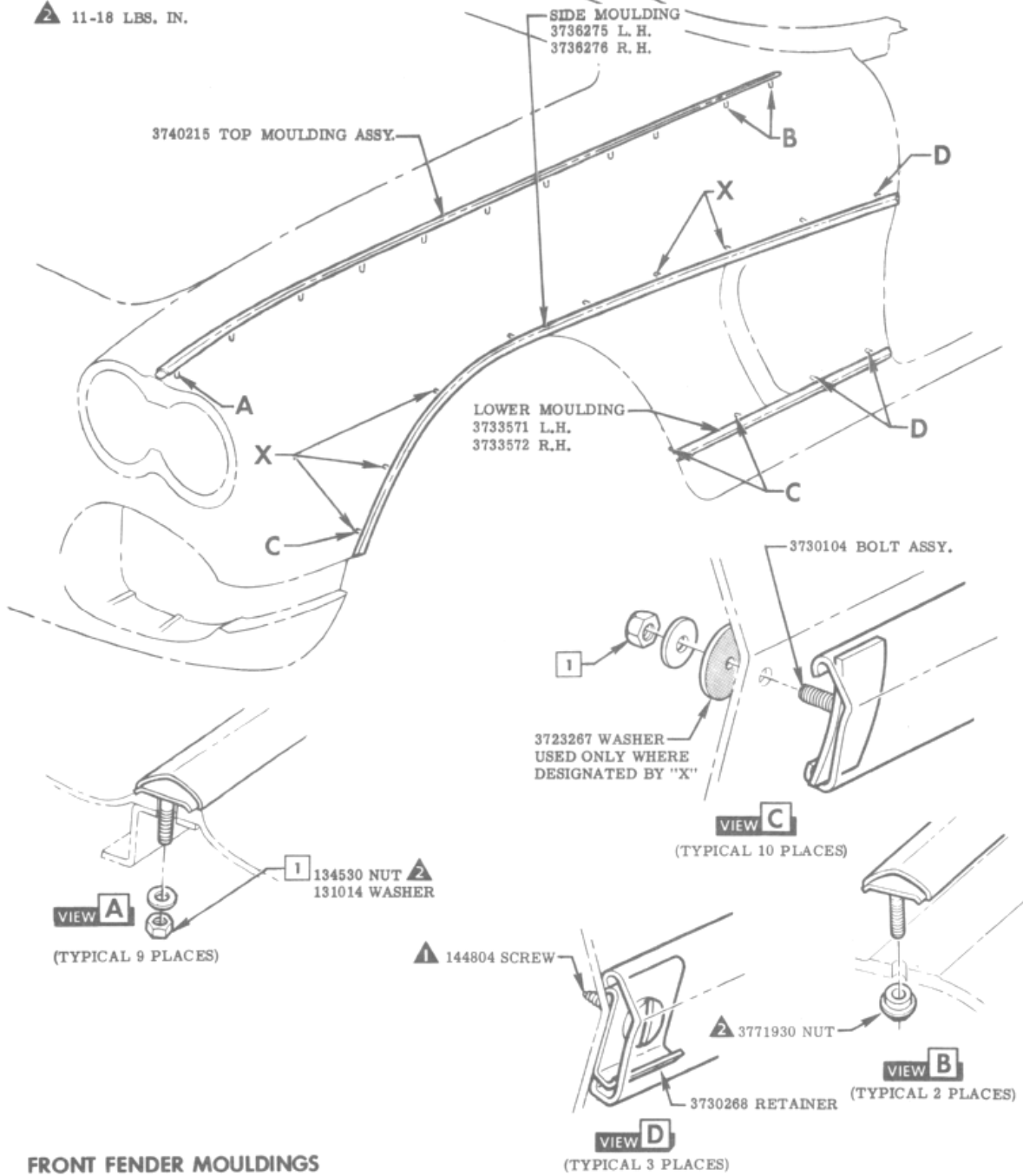


CHEVROLET MOTOR DIVISION



GENERAL MOTORS CORPORATION

- ▲ 1 8-10 LBS. IN.
- ▲ 2 11-18 LBS. IN.



**FRONT FENDER MOULDINGS**

					NAME					CORVETTE INSTRUCTION MANUAL				
					REF.		DRAWN		CHECKED		SECT.		SHEET	
					19977		MISKULIN		BUCK		11-13		4.00	
					DATE					PART No.				
					5-27-59					3774300				
DATE	SYM.	REVISION RECORD			AUTH.	DR.	CK.							

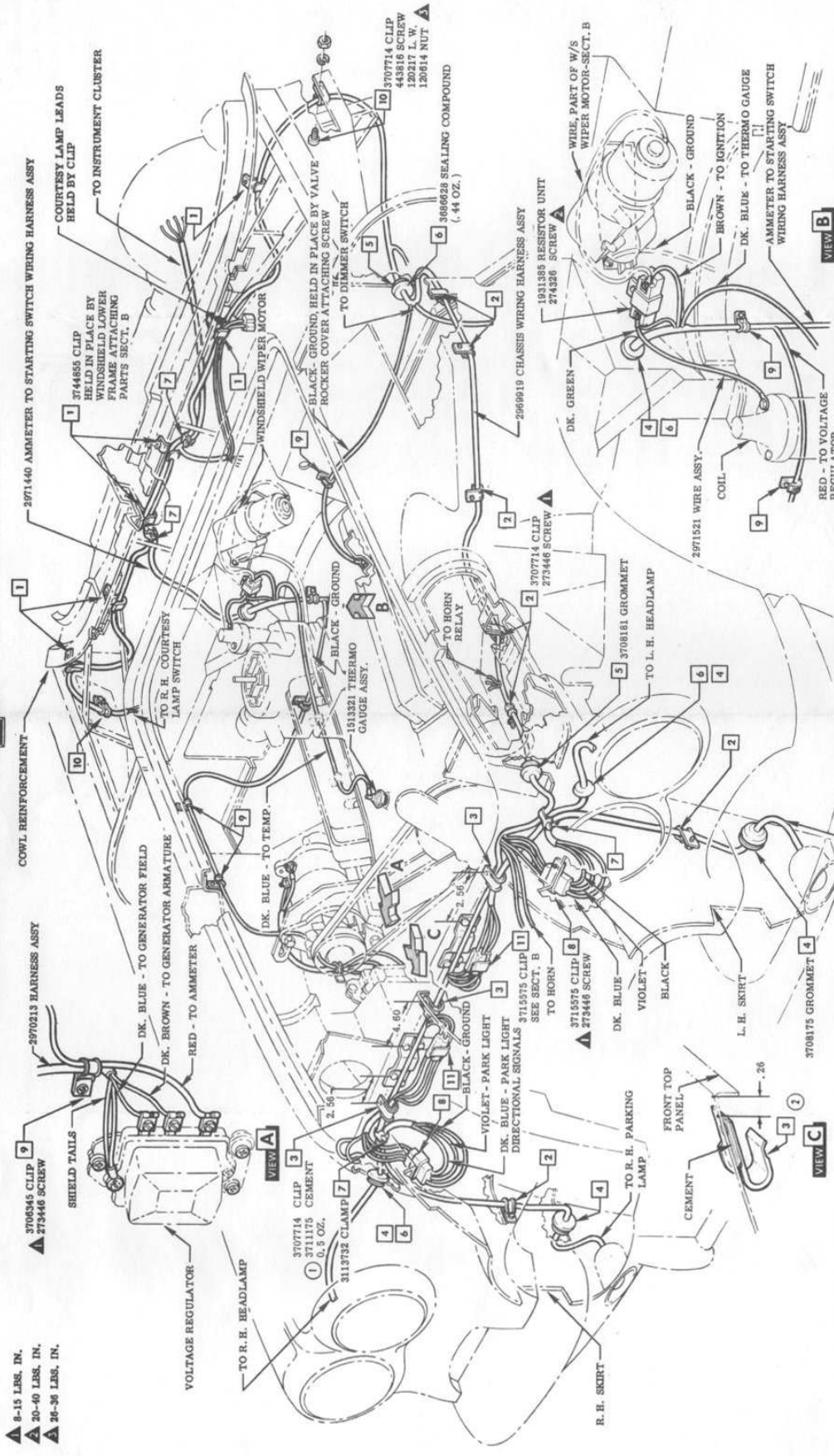








CHEVROLET MOTOR DIVISION GENERAL MOTORS CORPORATION



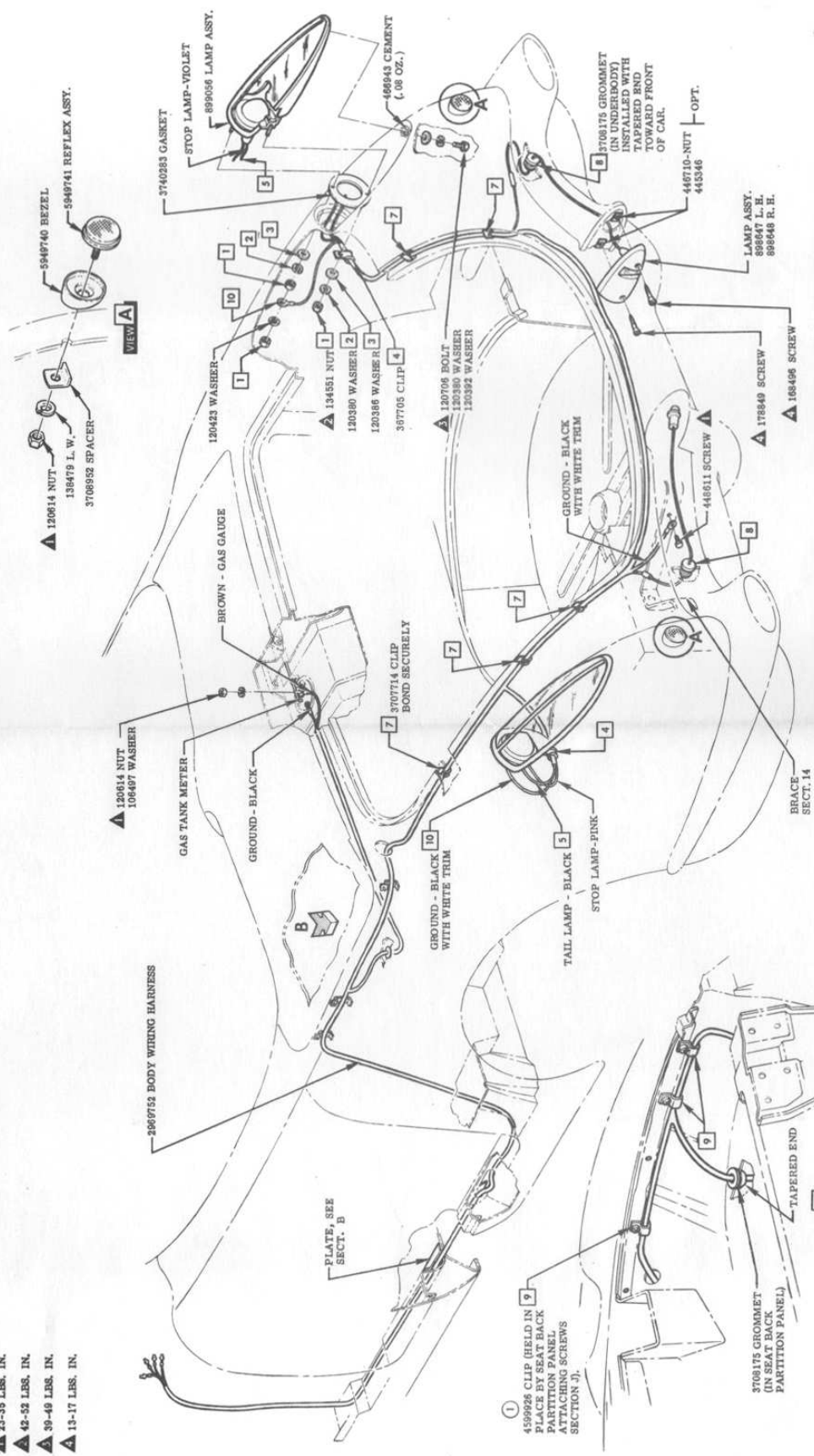
- ▲ 8-15 LBS. IN.
- ▲ 20-40 LBS. IN.
- ▲ 26-30 LBS. IN.

CORVETTE INSTRUCTION MANUAL	
DRAWN	CHECKED
F. 19977	BUCK
4-4-60	19977
1	WAS 9409244 RIVET & LOCATING DIMENSIONS ADDED 19581
DATE	SYN.
5-27-59	5-27-59
REVISION RECORD	AUTH. DR. CK.
3774300	

FOR BALANCE OF CLIPS & GROMMETS SEE:  
 SHEET 3.00 (BODY REAR)  
 SHEET 5.00 (TACHOMETER & SPEEDOMETER SHAFTS & OIL PRESSURE GAUGE PIPE)  
 SHEET 5.00 (BATTERY CABLES)

**AMMETER & CHASSIS WIRING HARNESS, CLIPS & GROMMETS**

- ▲ 23-35 LBS. IN.
- ▲ 42-52 LBS. IN.
- ▲ 39-49 LBS. IN.
- ▲ 13-17 LBS. IN.

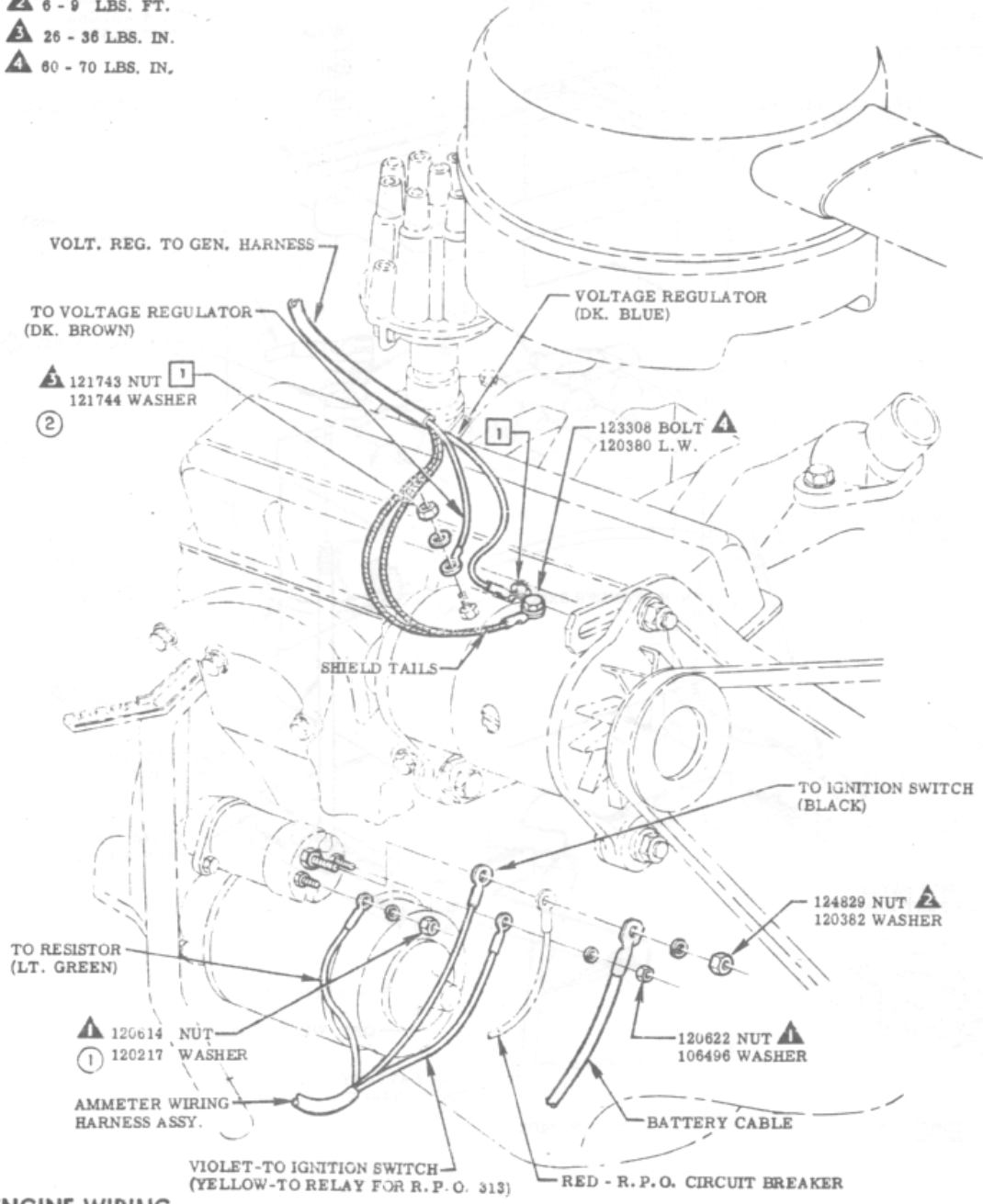


CORVETTE INSTRUCTION MANUAL		SHEET	
NAME	REF.	CHECKED	BUCK
WAS 374861B	21659	DF	F
RELEASED		DATE	PART No. 3774300
DATE	SYM.	REVISION RECORD	AUTH. DR. CC.
8-5-59		5-27-59	

BODY WIRING HARNESS, REAR LAMP & LICENSE LAMP



- ▲ 14 - 21 LBS. IN.
- ▲ 6 - 9 LBS. FT.
- ▲ 26 - 36 LBS. IN.
- ▲ 60 - 70 LBS. IN.



**ENGINE WIRING**

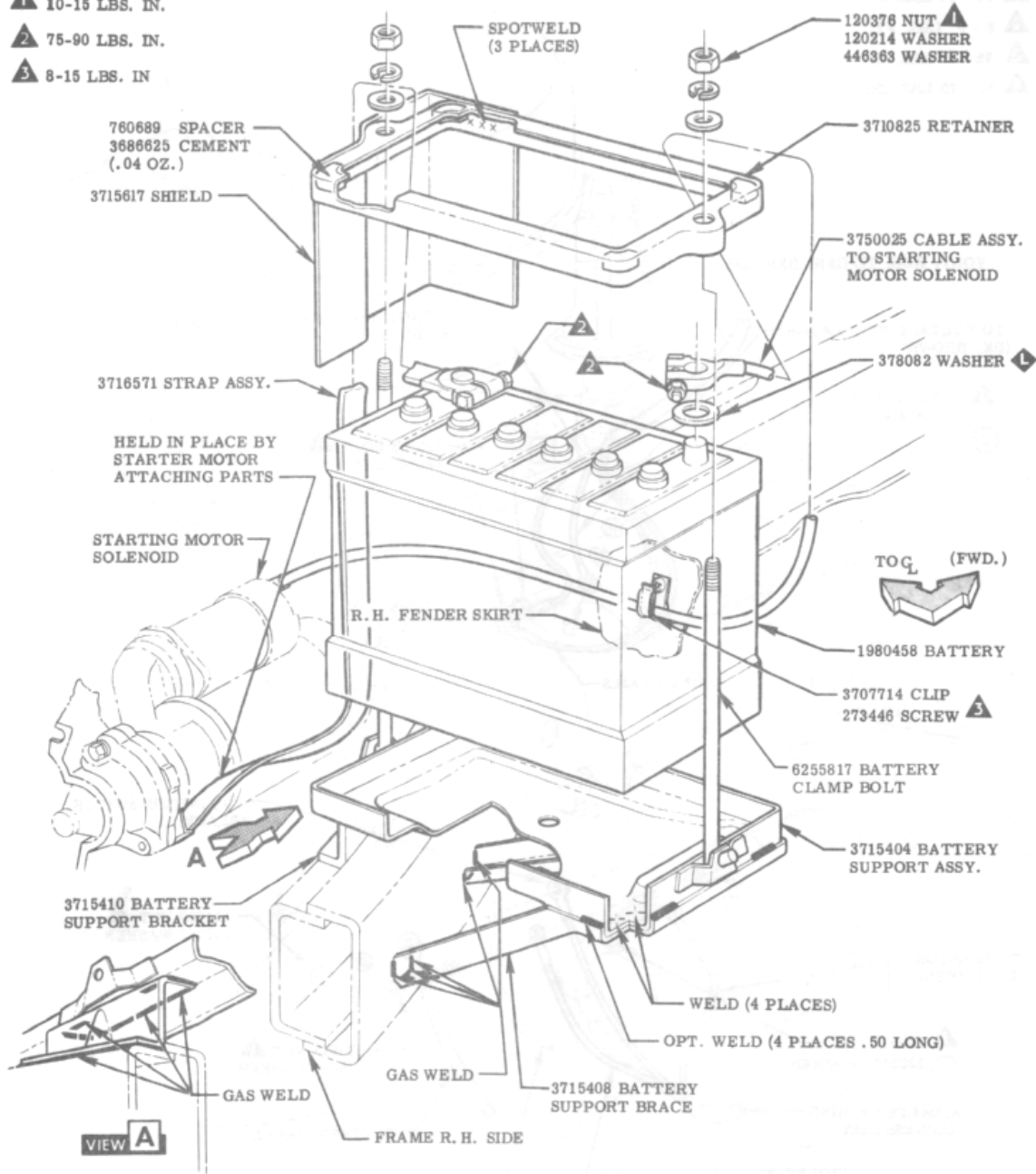
5-4-60	2	121744 WASHER REPOSITIONED	28273	J.A.		CORVETTE INSTRUCTION MANUAL				
3-8-60	1	120614 WAS 120622, & 120217 WAS 106496	27202	RV		REF. 19977	DRAWN FOWLER	CHECKED BUCK	SECT. 12	SHEET 4.00
		RELEASED				DATE 5-27-59	PART No. 3774300			
DATE	SYM.	REVISION RECORD	AUTH.	DR.	CK.					

CHEVROLET MOTOR DIVISION



GENERAL MOTORS CORPORATION

- ▲ 10-15 LBS. IN.
- ▲ 2 75-90 LBS. IN.
- ▲ 3 8-15 LBS. IN.



**BATTERY**

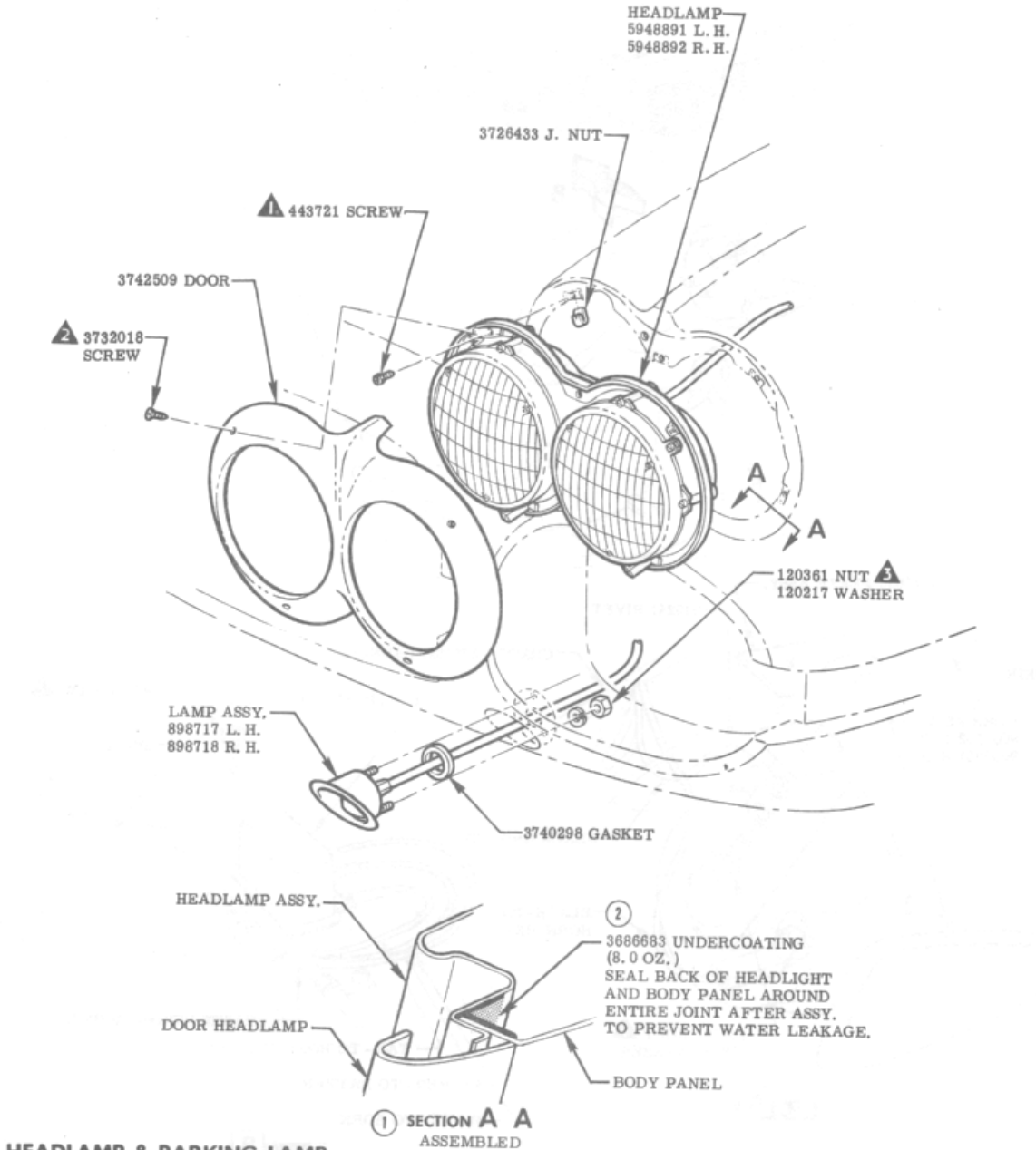
							NAME				CORVETTE INSTRUCTION MANUAL			
							REF.	DRAWN	CHECKED	SECT.	SHEET			
							19977	FOWLER	BUCK	12	5.00			
RELEASED							DATE	PART No.						
DATE	SYM.	REVISION RECORD		AUTH.	DR.	CK.	5-27-59	3774300						

CHEVROLET MOTOR DIVISION



GENERAL MOTORS CORPORATION

- ▲ 20-25 LBS. IN.
- ▲ 17-20 LBS. IN.
- ▲ 17-25 LBS. IN.



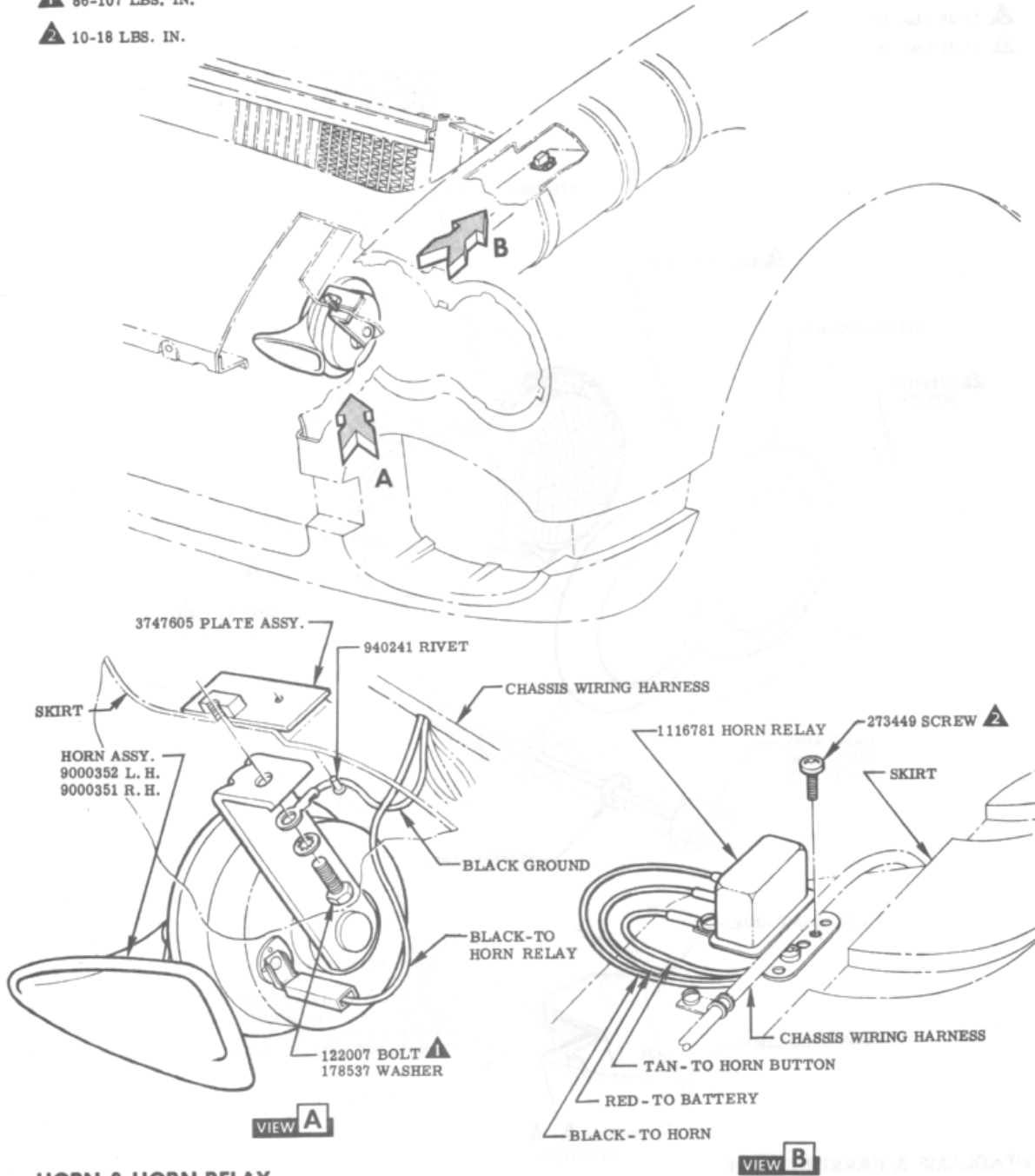
**HEADLAMP & PARKING LAMP**

				NAME				CORVETTE INSTRUCTION MANUAL			
DATE	SYM.	REVISION RECORD	AUTH.	DR.	CK.	REF.	DRAWN	CHECKED	SECT.	SHEET	
11-12-59	2	WAS 4.0 OZ.	15947		F	19977	FWLER	BUCK	12	6.00	
10-29-59	1	SECTION AA ADDED	15947	DF							
		RELEASED									
						DATE	PART No.				
						5-27-59	3774300				



▲ 86-107 LBS. IN.

▲ 10-18 LBS. IN.

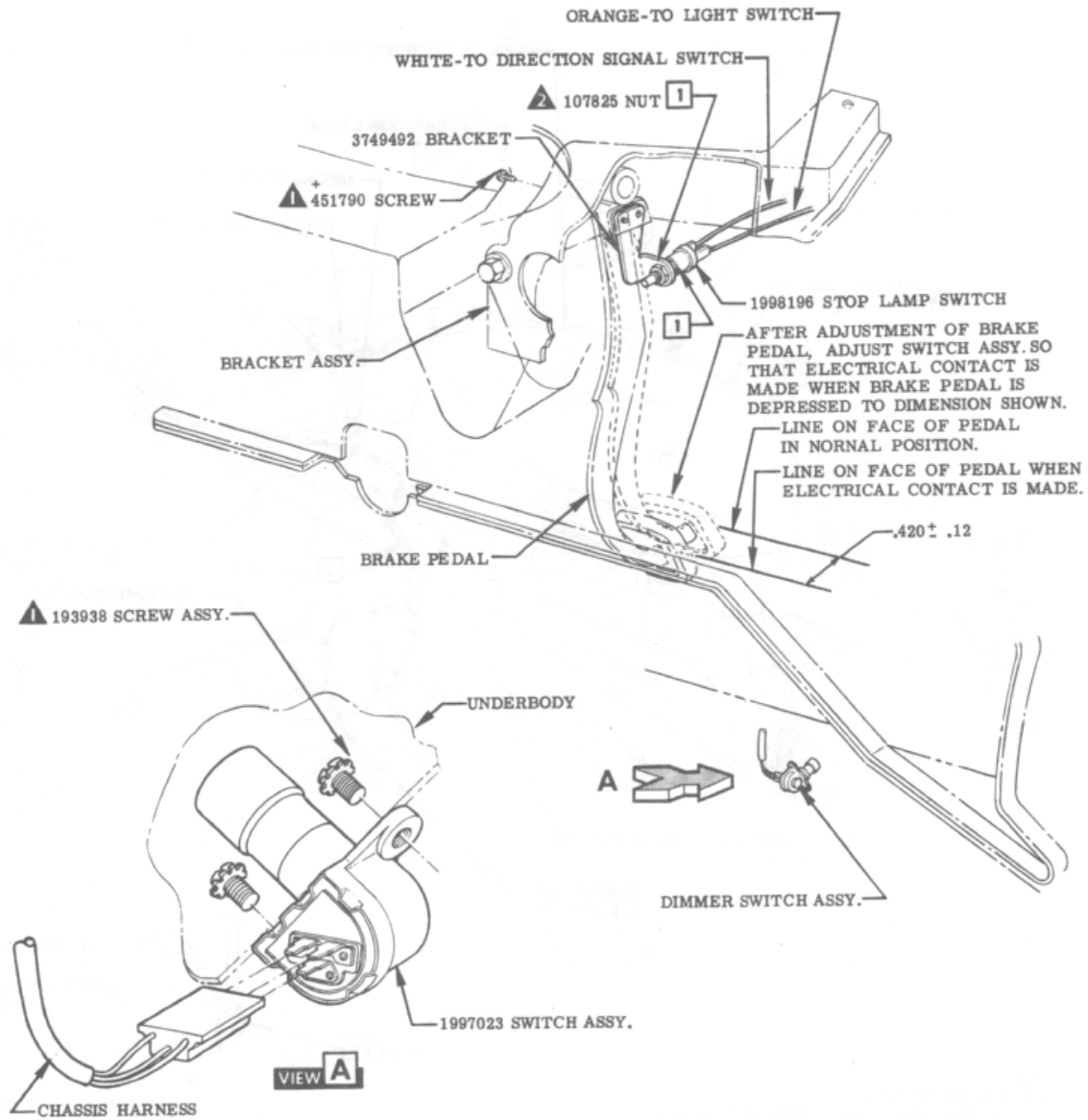


**HORN & HORN RELAY**

				NAME				CORVETTE INSTRUCTION MANUAL			
				REF.	DRAWN	CHECKED	SECT.	SHEET			
				19977	FWLER	BUCK	12	7.00			
				DATE	PART No.						
				5-27-59	3774300						
DATE	SYM.	REVISION RECORD	AUTH.	DR.	CK.						
		RELEASED									



- ▲ 39-49 LBS. IN.
- ▲ 7-10 LBS. FT.



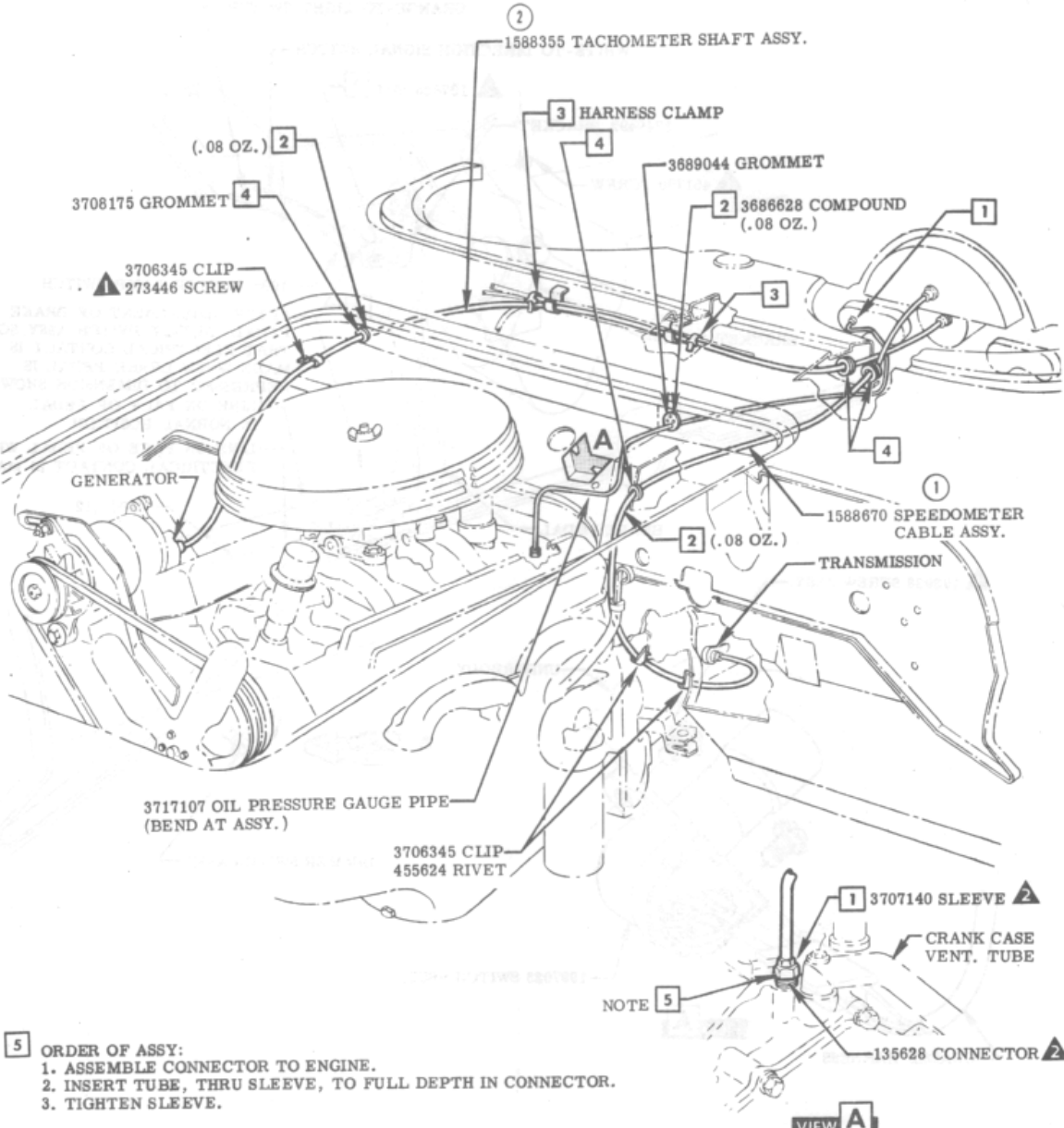
**DIMMER & STOPLAMP SWITCHES**

					CORVETTE INSTRUCTION MANUAL				
					REF.	DRAWN	CHECKED	SECT.	SHEET
					19977	FOWLER	BUCK	12	8.00
					DATE	PART No.			
DATE	SYM.	REVISION RECORD	AUTH.	DR. CK.	5-27-59	3774300			
RELEASED									





- ▲ 10 - 15 LBS. IN.
- ▲ 100-125 LBS. IN.



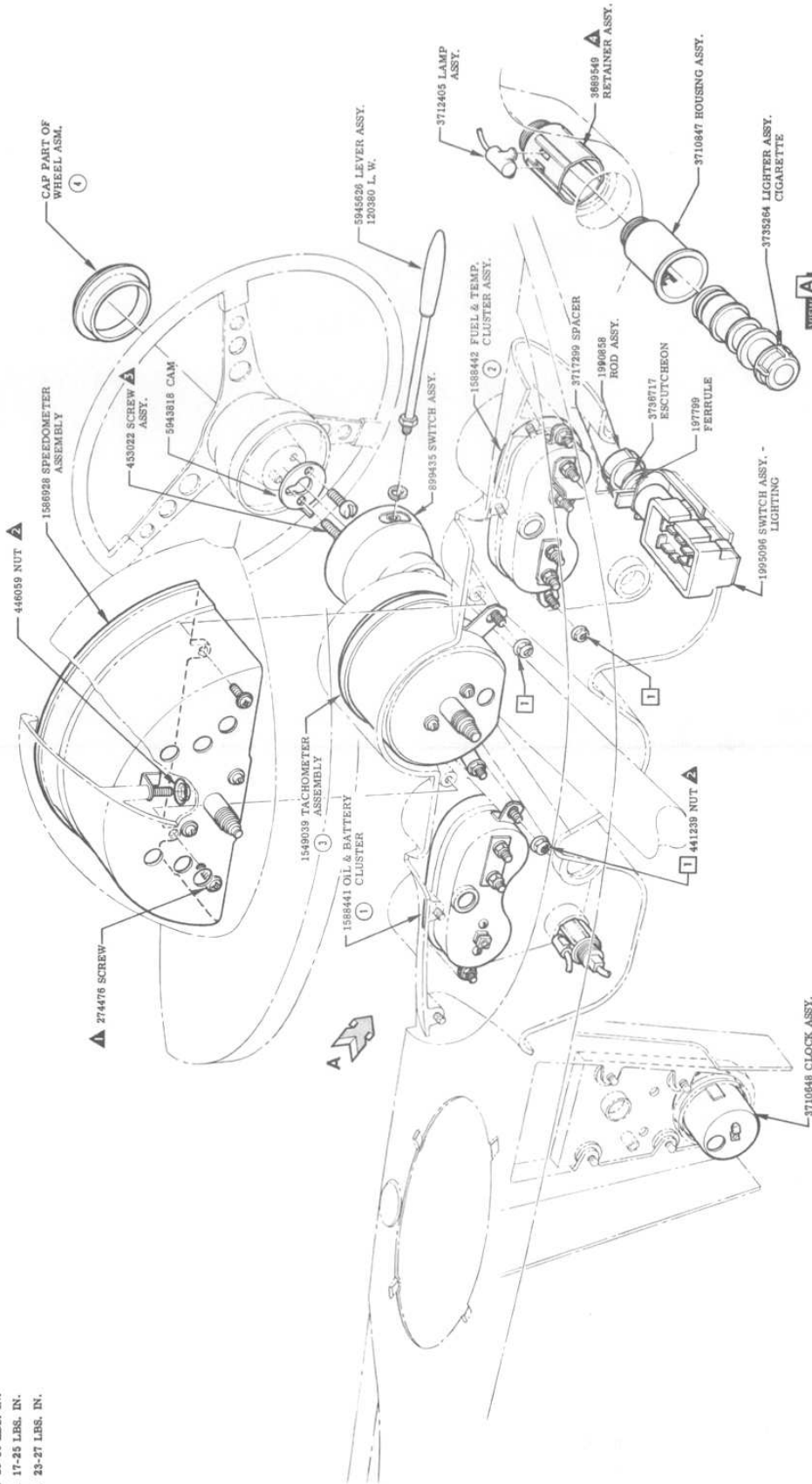
- 5 ORDER OF ASSY:
1. ASSEMBLE CONNECTOR TO ENGINE.
  2. INSERT TUBE, THRU SLEEVE, TO FULL DEPTH IN CONNECTOR.
  3. TIGHTEN SLEEVE.

**TACHOMETER SHAFT, SPEEDOMETER SHAFT & OIL PRESSURE GAUGE PIPE**

				CORVETTE INSTRUCTION MANUAL							
DATE	SYM.	REVISION RECORD	AUTH.	DR.	CK.	REF.	DRAWN	CHECKED	BUCK	SECT.	SHEET
9-9-59	2	WAS 1587500	22422	DF	B	19977	FOWLER	BUCK		12	9.00
8-12-59	1	WAS 1568842 RELEASED	21732	DF	F						
						DATE	PART No. 3774300				
						5-27-59					



- ▲ 12-18 LBS. IN.
- ▲ 25-35 LBS. IN.
- ▲ 17-25 LBS. IN.
- ▲ 23-27 LBS. IN.



DATE	SYML	REVISION RECORD	AUTH.	DR. CK.	DATE	REF.	DF	F	NAME
3-25-60	4	761052 PART NO. REMOVED							
	3	WAS 1548803							
	2	WAS 1560031							
7-31-59	1	WAS 1566929	20810	DF	F	19977			FOWLER
		RELEASED							BUCK
									CHECKED
									DRAWN
									MANUAL
									SHEET
									12
									10.00
									PART No.
									3774300

INSTRUMENT & DIRECTIONAL SIGNAL SWITCH

1210 Instrument Directional Signal Switch (Turn Signal)

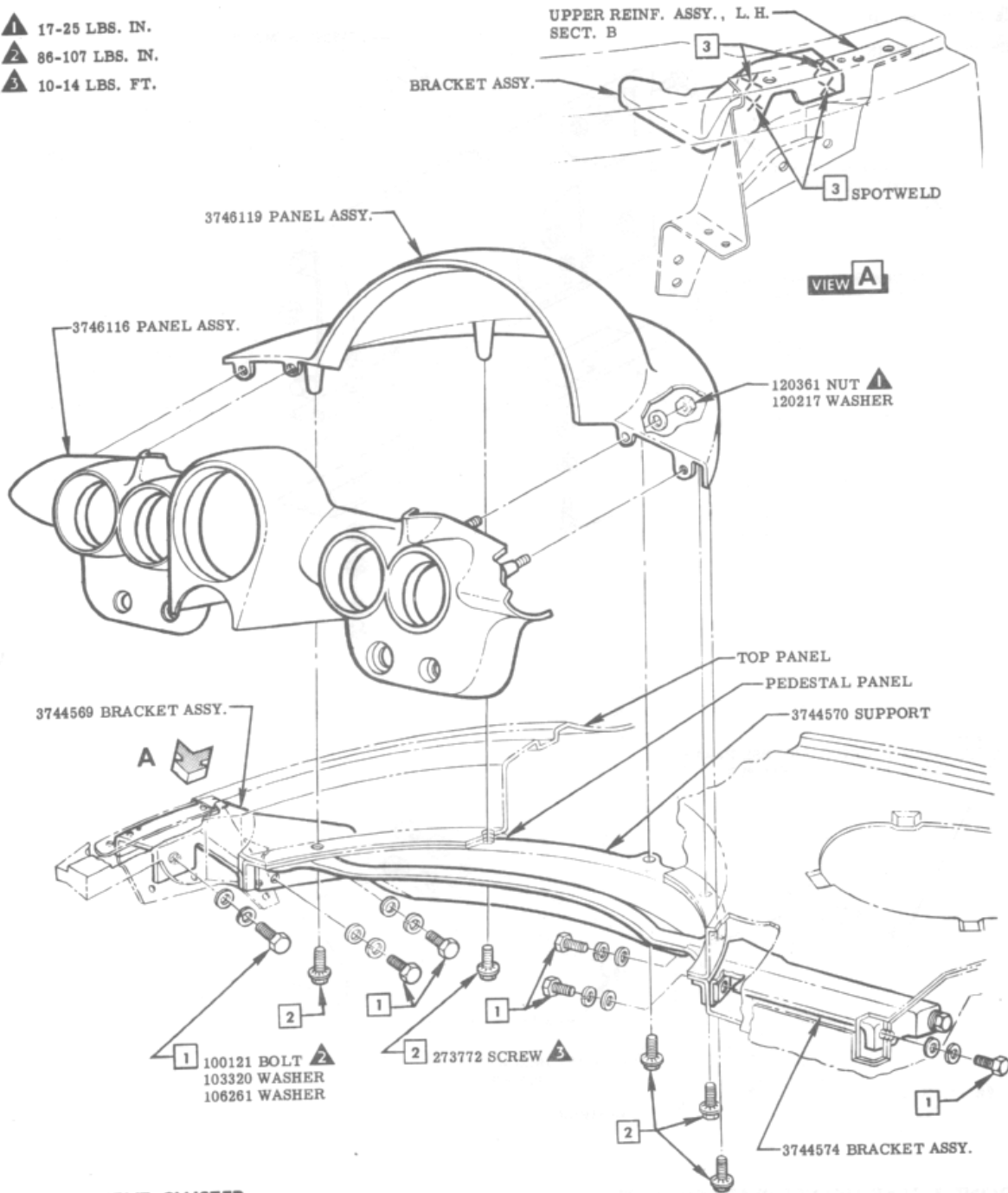


CHEVROLET MOTOR DIVISION



GENERAL MOTORS CORPORATION

- ▲ 17-25 LBS. IN.
- ▲ 86-107 LBS. IN.
- ▲ 10-14 LBS. FT.



**INSTRUMENT CLUSTER**

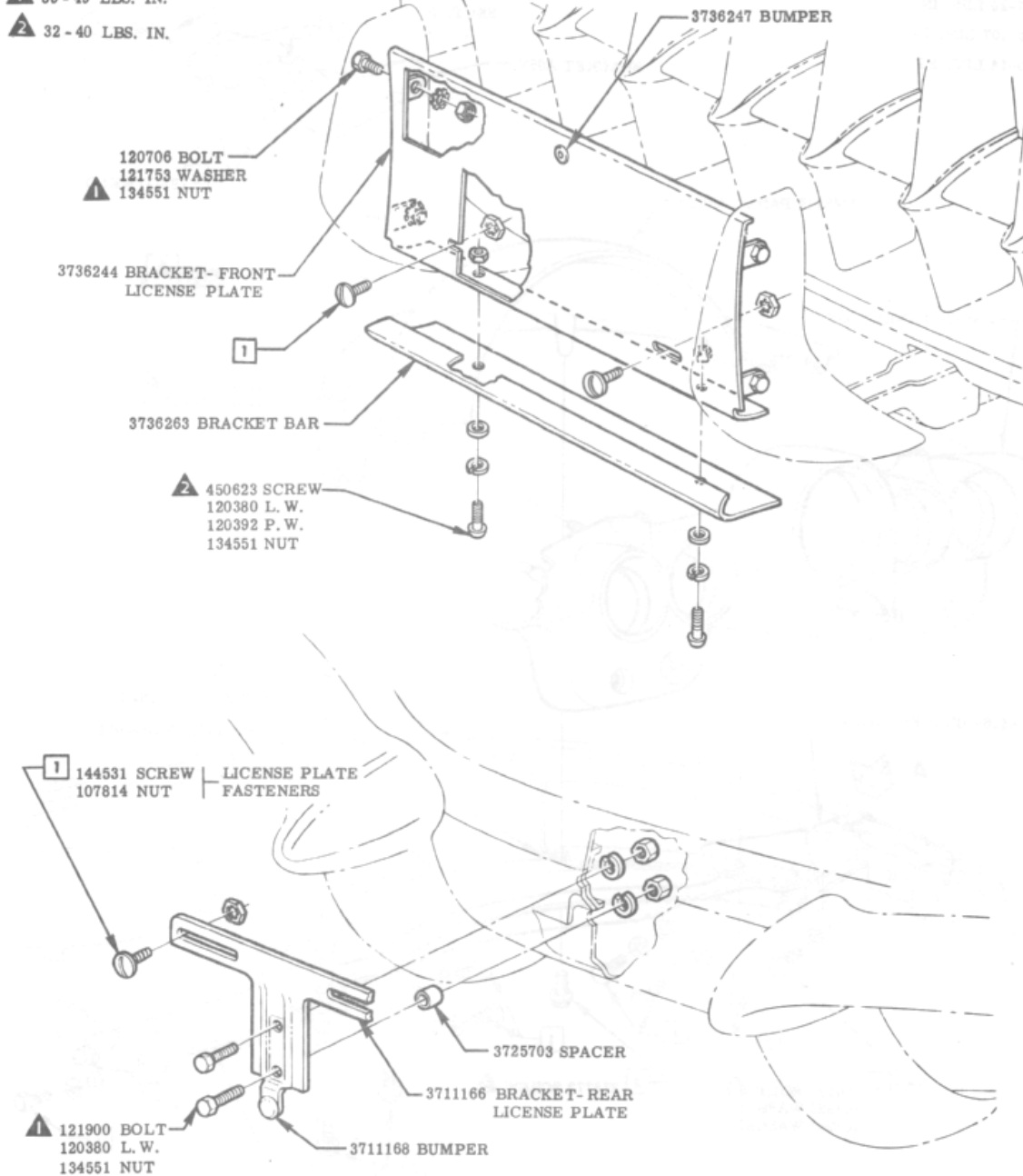
				CORVETTE INSTRUCTION MANUAL					
				NAME	DRAWN		CHECKED	SECT.	SHEET
				REF.	19977	FOWLER	BUCK	12	12.00
				DATE	PART No. 3774300				
DATE	SYM.	REVISION RECORD	AUTH. DR. CK.	5-27-59					

CHEVROLET MOTOR DIVISION



GENERAL MOTORS CORPORATION

- ▲ 39 - 49 LBS. IN.
- ▲ 32 - 40 LBS. IN.



FRONT & REAR LICENSE PLATE BRACKETS

				NAME				CORVETTE INSTRUCTION MANUAL			
				REF.	DRAWN	CHECKED	SECT.	SHEET			
				19977	FOWLER	BUCK	12	13.00			
				DATE	PART No.						
DATE	SYM.	REVISION RECORD		AUTH.	DR.	CK.	5-27-59	3774300			



HEADLAMP AIMING

WHEN USING A MECHANICAL TYPE AIMER INCORPORATING A SPLIT IMAGE OR EQUIVALENT, THE HORIZONTAL SETTING ON THE #1 AND #2 SEALED BEAM UNITS IS . 20° R. H. ± . 40°.

- ① THE VERTICAL SETTING ON THE #1 AND #2 SEALED BEAM UNITS IS 0° ± . 20° USING THE SAME MECHANICAL AIMER INCORPORATING A SPIRIT LEVEL OR EQUIVALENT AND CALIBRATED TO AIM THE UNITS AS FOLLOWS:

#1 SEALED BEAM UNIT-HIGH BEAM 2" BELOW HORIZONTAL ± 1. 0" AT 25 FT.

#2 SEALED BEAM UNIT-TOP EDGE OF LOW BEAM HOT SPOT HORIZONTALLY 0" ± 1" AT 25 FT.

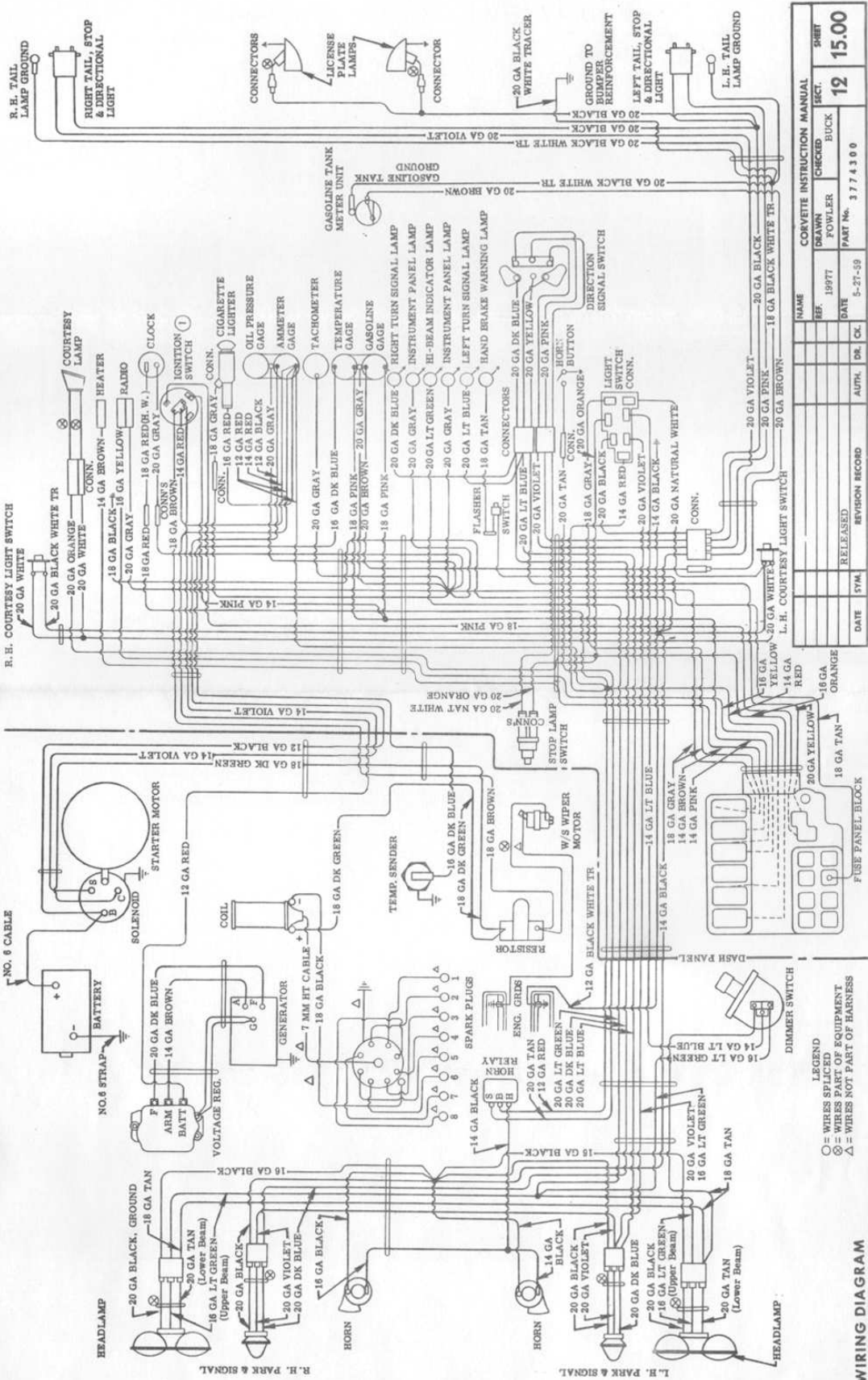
CAR TO BE AT CURB MINUS GAS WEIGHT AND ON A LEVEL AREA OF TRANSIT ACCURACY FOR ALL FOUR WHEELS.

HEADLAMP ADJUSTMENT

						NAME	CORVETTE INSTRUCTION MANUAL			
						REF.	DRAWN	CHECKED	SECT.	SHEET
7-27-59	1	PARAGRAPH REVISED RELEASED	21758	WB	F	19977	FOWLER	BUCK	12	14.00
DATE	SYM.	REVISION RECORD	AUTH.	DR.	CK.	DATE	PART No.			
						5-27-59	3 7 7 4 3 0 0			

CHEVROLET GENERAL MOTORS CORPORATION

CHEVROLET MOTOR DIVISION



CORVETTE INSTRUCTION MANUAL		SHEET	
NAME	REF.	CHECKED	BUCK
	19977	POWELL	
DATE	5-27-59	PART No.	3 7 7 4 3 0 0
DATE	1574	RELEASED	REVISION RECORD
		AUTH.	DR. CK.

CORVETTE INSTRUCTION MANUAL		SHEET	
NAME	REF.	CHECKED	BUCK
	19977	POWELL	
DATE	5-27-59	PART No.	3 7 7 4 3 0 0
DATE	1574	RELEASED	REVISION RECORD
		AUTH.	DR. CK.

WIRING DIAGRAM

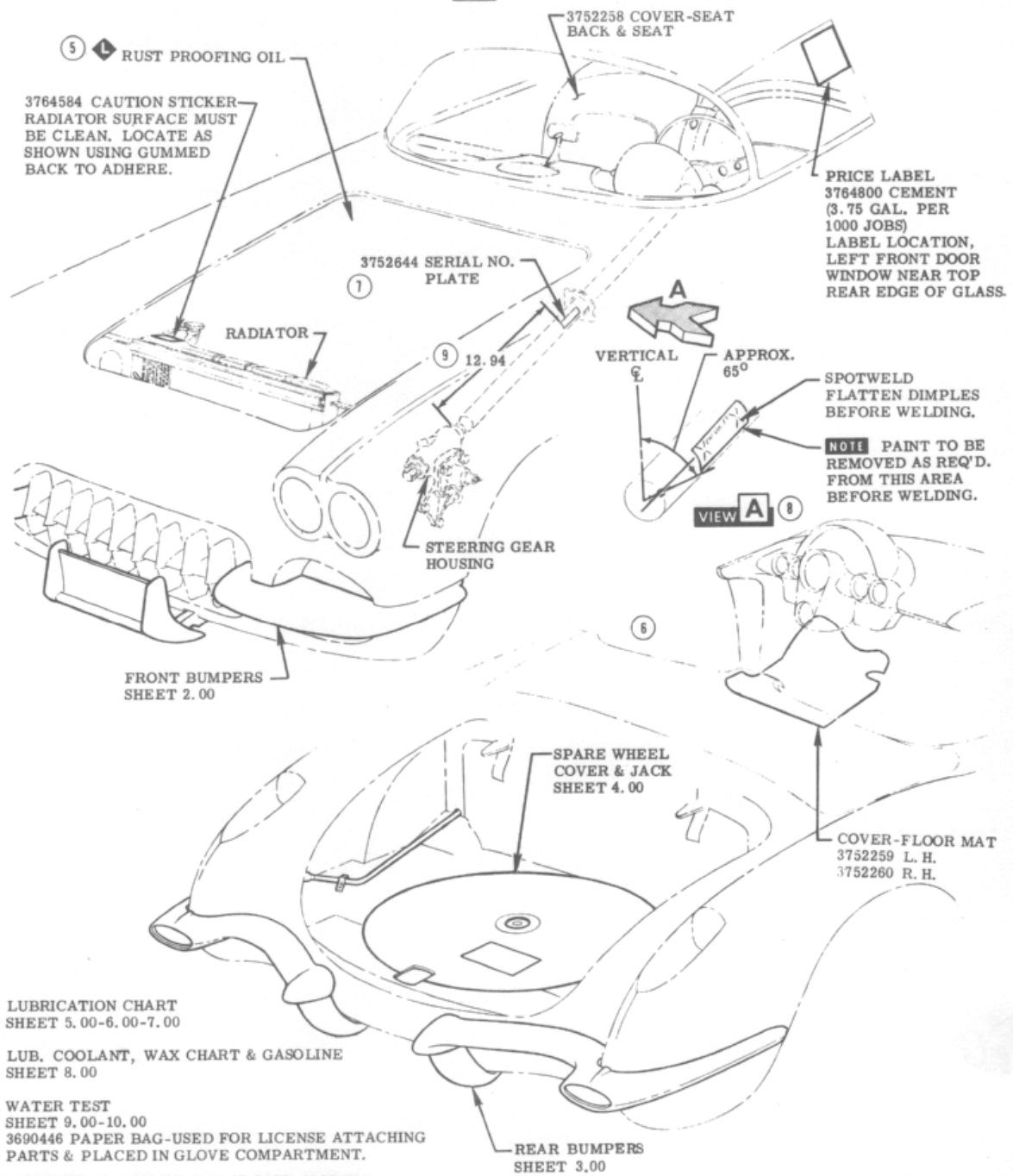
1215

15.00

CHEVROLET MOTOR DIVISION



GENERAL MOTORS CORPORATION



LUBRICATION CHART  
SHEET 5.00-6.00-7.00

LUB. COOLANT, WAX CHART & GASOLINE  
SHEET 8.00

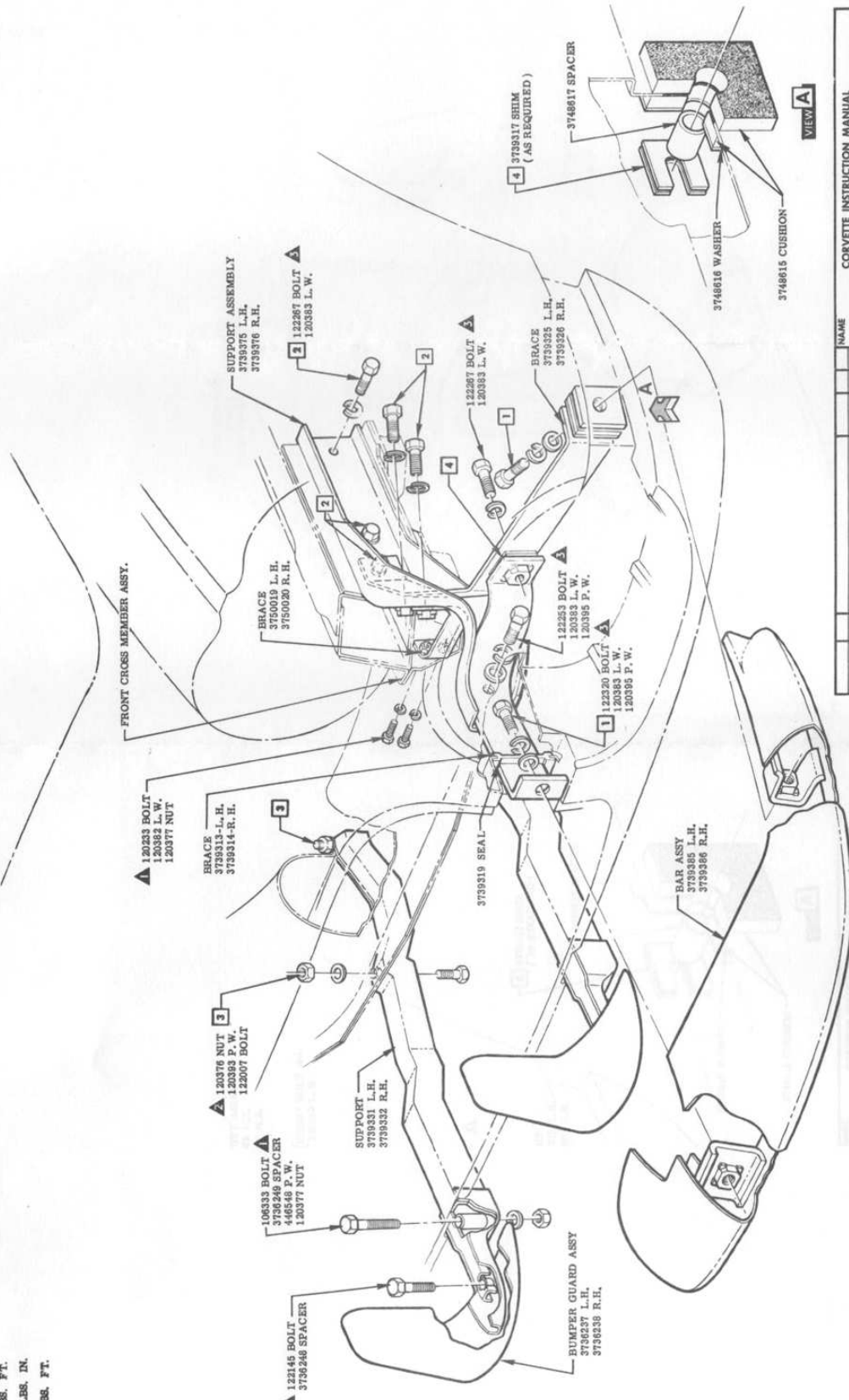
WATER TEST  
SHEET 9.00-10.00  
3690446 PAPER BAG-USED FOR LICENSE ATTACHING  
PARTS & PLACED IN GLOVE COMPARTMENT.

**BUMPER & MISCELLANEOUS INDEX**

DATE	SYM.	REVISION RECORD	AUTH.	DR.	CK.	NAME	CORVETTE INSTRUCTION MANUAL				
	9	DIMENSION ADDED				F	REF.	DRAWN	CHECKED	SECT.	SHEET
	8	VIEW ADDED					19977	MISKULIN	BUCK	14	1.00
11-24-59	6	273445 SCREW 8-12 LBS. IN.RMD.	22720	JM							
10-28-59	5	LUBE SYMBOL ADDED	23454	DF	F		DATE	PART No.			
						6-24-59		3774300			



- ▲ 15-20 LBS. FT.
- ▲ 64-107 LBS. IN.
- ▲ 20-30 LBS. FT.



VIEW A

NAME		CORVETTE INSTRUCTION MANUAL	
REF.	DRAWN	CHECKED	SECT.
19977	MISKULIN		14
	RELEASED	BUCK	2.00
	DATE	PART No.	
	5-27-59	3774300	
DATE	SYM.	REVISION RECORD	AUTH. DR. CK.

FRONT BUMPERS & BUMPER GUARDS

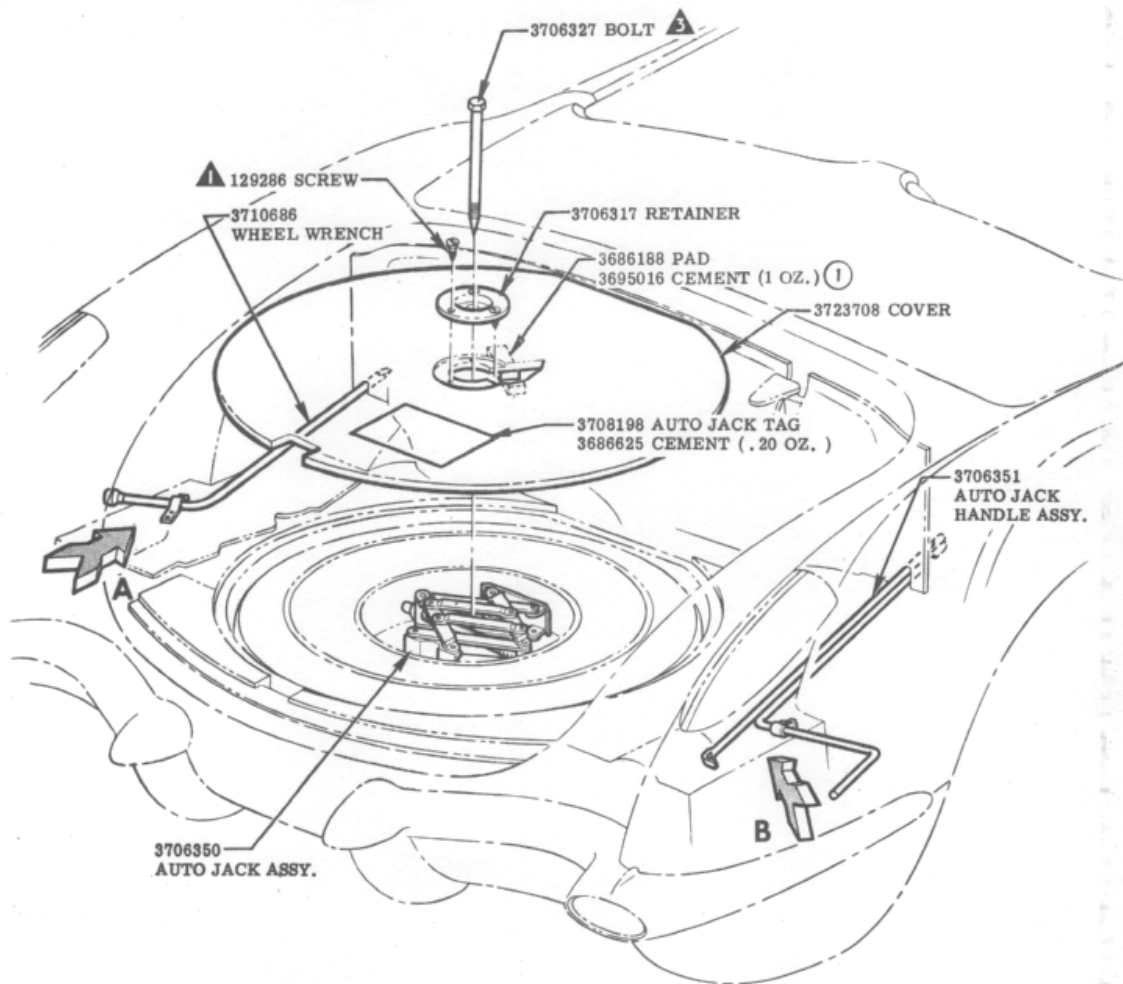
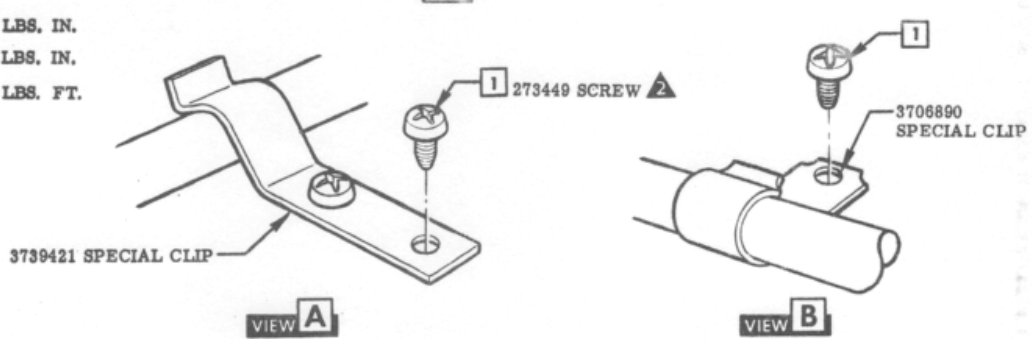


CHEVROLET MOTOR DIVISION



GENERAL MOTORS CORPORATION

- ▲ 60-84 LBS. IN.
- ▲ 15-20 LBS. IN.
- ▲ 20-30 LBS. FT.



**SPARE WHEEL COVER & JACK**

					CORVETTE INSTRUCTION MANUAL				
					REF.	DRAWN	CHECKED	SECT.	SHEET
11-27-59	1	WAS 3709786	15941	JM F	19977	MISKULIN	BUCK	14	4.00
		RELEASED			DATE	PART No. 3774300			
DATE	SYM.	REVISION RECORD	AUTH.	DR.	CK.				
						5-27-59			

CHEVROLET MOTOR DIVISION



GENERAL MOTORS CORPORATION

CHEV. NO.	SPEC. NO.	DESCRIPTION	QUANTITY FOR 1000 JOBS	WHERE USED	NOTE	SECT.
3719886	GM-4705-M (SEE DRWG)	ENGINE OIL	1125 GAL. 375 GAL. 3 GAL.	OIL PAN - THRU OIL FILLER TUBES OIL FILTER - OIL PAN THRU OIL FILLER TUBE TO REPLACE OIL REMOVED FROM OIL PAN & HELD IN FILTER GENERATOR - COMMUTATOR END - OIL CUP - FILL CUP GENERATOR - DRIVE END - OIL CUP - FILL CUP DISTRIBUTOR - FILL HINGE CAP OILER GASOLINE METER TANK UNIT GASKET - LET GASKET SOAK 2 HOURS IN OIL - THEN DRAIN ACCELERATOR CONTROL ROD A: FRONT CARBURETOR CLEVIS - FEW DROPS OF OIL		6
						RPO 469
						9
3676286	GM-4653-M	BRAKE FLUID - DELCO SUPER #11 SAE 7 OR 1	75 GAL.	HYDRAULIC BRAKE SYSTEM	1	5
375933	GM-4640-M	SMOOTH TYPE CHASSIS LUBRICANT (PRESSURE-GUN LUBRICANT)	250 LBS.	FRONT SUSPENSION LOWER CONTROL ARM - OUTER END - 1 FITTING EACH SIDE FRONT SUSPENSION LOWER CONTROL ARM - INNER END - 2 FITTINGS EACH SIDE FRONT SUSPENSION UPPER CONTROL ARM - OUTER END - 1 FITTING EACH SIDE FRONT SUSPENSION UPPER CONTROL ARM - INNER END - 2 FITTINGS EACH SIDE		3
OPTIONAL 597663	GM-4647-M	VISCOUS TYPE CHASSIS LUBRICANT (PRESSURE-GUN LUBRICANT)				3
						3
						3
						3
						9
						9
						12

①

1. TO PREVENT LEAKAGE OF BRAKE FLUID DURING SHIPMENT, THE QUANTITY SHOWN ABOVE IS APPROXIMATELY 50CC LESS THAN REQUIRED TO FILL RESERVOIR.

CORVETTE INSTRUCTION MANUAL		NAME	REF.	19977	BUCK	SECT.	14	SHEET	5.00
DRAWN		MISKULIN	DATE	5-27-59	PART No.	3774300			
8-5-59	1	ITEM 350874 REMOVED	21172	JM F					
		RELEASED							
DATE	SYN.	REVISION RECORD	AUTH.	DL.	CC.				

LUBRICATION



CHEV. NO.	SPEC. NO.	DESCRIPTION	QUANTITY FOR 1000 JOBS	WHERE USED	NOTE	SECT.
3753205	SEE DRWG.	A-9 HYPOID LUB. (SAE 90) NON-ACTIVE TYPE	3700 LBS.	REAR AXLE - THRU FILLER PLUG IN HOUSING		4
3698822	SEE DRWG.	SPECIAL LUBRICANT (LUBRIPLATE)	REG. PROD. 194 LBS RPO 313 159 LBS	TRANSMISSION CONTROL LEVER SHAFT ASSEMBLY - COAT ALL OVER TRANSMISSION CONTROL ROD BELL CRANK - PIVOT TRANS. CONTROL LEVER SHAFT BRACKET - COAT SURFACES CONTACTING CONTROL SHAFT, LEVER BALL & SHAFT BOSS TRANSMISSION T. V. CONTROL BELL CRANK - BOTH ENDS TRANSMISSION CONTROL SHORT ROD - BOTH ENDS TRANSMISSION THROTTLE VALVE ROD BELL CRANK BRACKET TRANSMISSION CONTROL LONG ROD - PIN AND CLEVIS CONTACTING BRACKET BRAKE PEDAL HUB - ALL OVER TRANSMISSION TORQUE CONVERTER - PILOT HOLE IN CRANK SHAFT - LUBRICATE I. D. CLUTCH PEDAL SHAFT - ALL OVER PARKING BRAKE LEVER ASSEMBLY - COAT LEVER OVER ITS LENGTH AND THREADED PORTION OF ROD AND EYE FUEL PUMP PUSH ROD (V-8) LUBRICATE APPROX. 1 INCH CAMSHAFT END CLUTCH LEVER SHAFT BALL STUDS - LUBRICATE BALL CONTACTING I. D. OF SHAFT TRANSMISSION THROTTLE VALVE ROD - BOTH ENDS 2ND & 3RD AND 1ST & REV. TRANSMISSION CONTROL RODS - PIN AND CLEVIS END (IN AREAS CONTACTING SHAFT LEVERS) AND ROD ENDS. INSIDE LOCKING CONTROL LINK - LUBRICATE BOTH ENDS (CONTROL ASSEMBLY & TRANSFER ASSEMBLY)		RPO 313 7 RPO 313 7 RPO 313 RPO 313 RPO 313 RPO 313 5 RPO 313 6 5 6 RPO 313 7 F
(CONTINUED ON NEXT SHEET)						

NAME		CORVETTE INSTRUCTION MANUAL	
DRWN	CHECKED	SECT.	SHEET
MENKULIN	BUCK	14	6.00
DATE	DATE	PART No.	
5-27-59	5-27-59	3774300	
DATE	SYAL	REVISION RECORD	AUTH. OR CL.

LUBRICATION



CHEVROLET MOTOR DIVISION

GENERAL MOTORS CORPORATION

CHEV. NO.	SPEC. NO.	DESCRIPTION	QUANTITY FOR 1000 JOBS	WHERE USED	NOTE	SECT.	
389822	SEE DRWG.	SPECIAL LUBRICANT (LUBRIPLATE)	FOR QUANTITY SEE SHEET 4.00	HOOD SUPPORT - LUBRICATE RAILS & CATCHES INSIDE LOCKING CONTROL TRANSFER LINK - LUBRICATE LOCK ASSEMBLY AND TRANSFER ASSEMBLY ENDS TRANS. CONTROL SHAFT DETENT - LUBRICATE TRANSMISSION CONTROL SHAFT SELECTOR PLATE TRANS. CONTROL SHAFT - LUBRICATE LOWER END CONTACTING SAFETY SWITCH TRUNK LOCK - LUBRICATE MOVING PARTS OF LOCK MECHANISM AND CATCH SIDE DOOR LOCK GEAR - COAT GEAR TEETH DOOR LOCK REMOTE LINK - LUBRICATE BOTH ENDS (LOCK & HANDLE) OF LINK FOLDING TOP LID LATCH - LUBRICATE STRIKER & PIVOTS BRAKE & CLUTCH PEDAL SLEEVE ASSEMBLY CLUTCH PEDAL PUSH ROD - BOTH ENDS CLUTCH FORK PUSH ROD - REAR END & SWIVEL GAS TANK FILLER CAP DOOR HINGE - LUBRICATE HINGE ASSEMBLY CLUTCH PEDAL RETURN SPRING - BOTH ENDS BRAKE PEDAL PULL BACK SPRING - BOTH ENDS COWL VENT LINKAGE - LUBRICATE PAWL DECK LID HINGES - LUBRICATE LINKS, BOLTS & SPRINGS AUTOMATIC TRANSMISSION THROTTLE VALVE CONTROLS-LUBRICATE AT CARBURETOR THROTTLE LEVER AT T. V. CROSS SHAFT ASSY.			11 F RPO 313 RPO 313 E F F C 5 6 6 6 E 6 5 B E RPO 313
3704876	SEE DRWG.	RUBBER LUBRICANT	100 LBS.	TO ASSEMBLE TIRE TO RIM AND FOR MISCELLANEOUS APPLICATIONS TO FACILITATE ASSEMBLY	1	10	

1 CONCENTRATED MATERIAL (AS PURCHASED) TO BE DILUTED WITH FROM FOUR TO EIGHT PARTS WATER FOR TIRE MOUNTING AND FOR LUBRICATION OF MISCELLANEOUS PARTS DURING ASSEMBLY.

NAME	DATE	REV.	19977	CORVETTE INSTRUCTION MANUAL	SECT.	14	SHEET	7.00
RELEASED	5-27-59	CHECKED	MISKULIN	DRAWN	BUICK			
REVISION RECORD	AUTH.	DR.	CK.	PART No.	3774300			

LUBRICATION



CHEV. NO.	SPEC. NO.	DESCRIPTION	QUANTITY FOR 1000 JOBS	WHERE USED	NOTE	SECT.
3729083	GM-4736-M (SEE DRWG.)	SPECIAL LUBRICANT	250 GAL.	3 SPEED TRANSMISSION - THROUGH FILLER HOLE IN CASE LUBRICATE TRANSMISSION EXTENSION BUSHING BEFORE INSTALLING PROPELLER SHAFT YOKE.		7
3764110	(SEE DRWG.)	AUTOMATIC TRANS. FLUID	375 GAL. 1062 GAL.	4 SPEED TRANSMISSION - THROUGH FILLER HOLE IN CASE AUTOMATIC TRANS. - THRU FILLER NECK ON RIGHT SIDE OF TRANSMISSION	1	RPO 685 RPO 313
598422	(SEE DRWG.)	GRAPHITE GREASE	8 GAL. 5.5 LBS.	PROPELLER SHAFT FRONT YOKE SPLINES AND O.D. - POUR LUBRICANT ON SPLINES AT ASSEMBLY CLUTCH RELEASE BEARING COLLAR COAT O. D. GROOVE LIGHTLY AND FILL I.D. GROOVE.		4 6
3871259	GM-1897-M (SEE DRWG.)	ETHYLENE GLYCOL	AS REQ'D. TO PROTECT TO MINUS 20° F.	COOLING SYSTEM CAPACITY 17 1/2 QTS.	2	13
1163105 OPTIONAL 3735589	(SEE DRWG.)	COOLING SYSTEM SEALING COMPOUND	1000 CAPSULES 1000 PELLETS	COOLING SYSTEM CAPACITY 18 1/2 QTS.	3	FOA 101
3782569	(SEE DRWG.)	LIQUID WAX	AS REQ'D.	PLACE (1) CAPSULE OR PELLETS IN RADIATOR INLET HOSE BELOW THE BELT LINE.	4	5
3718282	G. M. 4715-M	GASOLINE	AS REQ'D.	COAT ALL EXTERIOR CHROME PLATED AND STAINLESS PARTS THROUGH GAS TANK FILLER NECK ASSY.		8
3774958	SEE DRWG.	OIL-RUST PROOFING WATER SOLUBLE	10 GALS.	THROUGH GAS TANK FILLER NECK ASSY. SPRAY ENGINE COMPARTMENT AND ALL PARTS THEREIN AFTER FINAL ASSEMBLY EXCEPT UNDER SURFACE OF HOOD.	6	14

1 - INSTRUCTIONS FOR FILLING POWERGLIDE TRANSMISSION:  
ADD THE SPECIFIED AMOUNT OF FLUID THROUGH TRANSMISSION OIL FILLER  
TUBE IF FLUID IS ADDED WITH TRANSMISSION STATIONARY, THE VENT PLUG  
MUST BE REMOVED TO PREVENT ESCAPE OF THE DISPLACED AIR. REMOVE VENT  
OR REMOVED TO PREVENT ESCAPE OF THE DISPLACED AIR. REINSTATE VENT  
PLUG TIGHTLY. FLUID MAY BE ADDED IMMEDIATELY AFTER STARTING ENGINE  
FOR THE FIRST TIME ON THE FINAL ASSEMBLY LINE. WITH THIS PROCEDURE  
IT IS UNNECESSARY TO REMOVE THE VENT PLUG SINCE THE FLUID WILL BE  
DRAWN THROUGH THE FRONT PUMP SUCTION TUBE RAPIDLY ENOUGH TO  
AVOID BLOWING AIR THROUGH THE SUCTION TUBE. AFTER EACH FILLING AND  
TEST, THE OIL LEVEL (MEASURED WITH ENGINE IDLING AND TRANSMISSION  
IN NEUTRAL RANGE) MUST BE WITHIN 1/4 INCH OF "FULL" MARK ON DIP STICK.

2 - QUANTITY SHOWN IS AMOUNT REQUIRED TO FILL COOLING SYSTEM TO WITHIN  
ONE INCH OF BOTTOM OF FILLER NECK AND IS ONE QUART LESS THAN IS  
NEEDED TO FILL THE DRY SYSTEM TO THE OVERFLOW TUBE.

3 - WHEN HEATER IS SPECIFIED, FULLY OPEN TEMPERATURE CONTROL VALVE  
FOR HEAT WHEN FILLING TO MINIMIZE TRAPPING OF AIR.

4 - COATING MAY BE APPLIED BY SPRAYING  
OR WIPING ON SURFACE.

5 - COAT EXTERIOR PAINTED SURFACES  
FOR ALL RAIL SHIPPED UNITS ONLY.

6 - CONCENTRATED MATERIAL AS PURCHASED  
TO BE DILUTED WITH (19) PARTS WATER TO (1)  
PART OIL FOR SPRAY APPLICATION.

12-9-59	4	WHERE USED COLLEMAN REV'D.	JM	F	NAME	CONVETTE INSTRUCTION MANUAL
	3	3774958 ADDED	23454	F		
10-23-59	2	"GASOLINE" ADDED	2370	JM	REF.	
8-18-59	1	ITEM ADDED	2370	JM	F	
		RELEASED			DATE	19977
		SYN.			DR. CK.	6-29-59
		REVISION RECORD			AUTH.	3774300
					DRAWN	BUCK
					CHECKED	SECT.
					14	8.00
					PART No.	

LUBRICATION, COOLING SYSTEM, WAX & GASOLINE









CHEVROLET MOTOR DIVISION



GENERAL MOTORS CORPORATION

F. O. A.

- 101 HEATER
- 102 RADIO
- 107 PARKING BRAKE ALARM
- 108 COURTESY LIGHT
- 109 WINDSHIELD WASHER
- 121 FAN DRIVE EQUIPMENT

R. P. O.

- 261 SUNSHADE
- 276 WHEEL EQUIP.
- \* 290 TIRES
- 313 AUTOMATIC TRANSMISSION
- 419 HARD TOP
- 426 POWER LIFT WINDOWS
- 469 DUAL FOUR BARREL CARBURETORS
- \* 470 FOLDING TOP (COLOR)
- 473 HYDRAULIC FOLDING TOP LIFT
- \* 490 TRIM COMBINATION
- \* 500-529 COLOR COMBINATION
- \* 565 BODY SERVICE LIST
- 579 FUEL INJECTION
- ② 675 LIMITED SLIP REAR AXLE
- 685 FOUR SPEED TRANSMISSION
- \* 686 METALLIC BRAKE FACING EQUIPMENT
- ③ 687 HEAVY DUTY BRAKE & SPECIAL STEERING EQUIPMENT

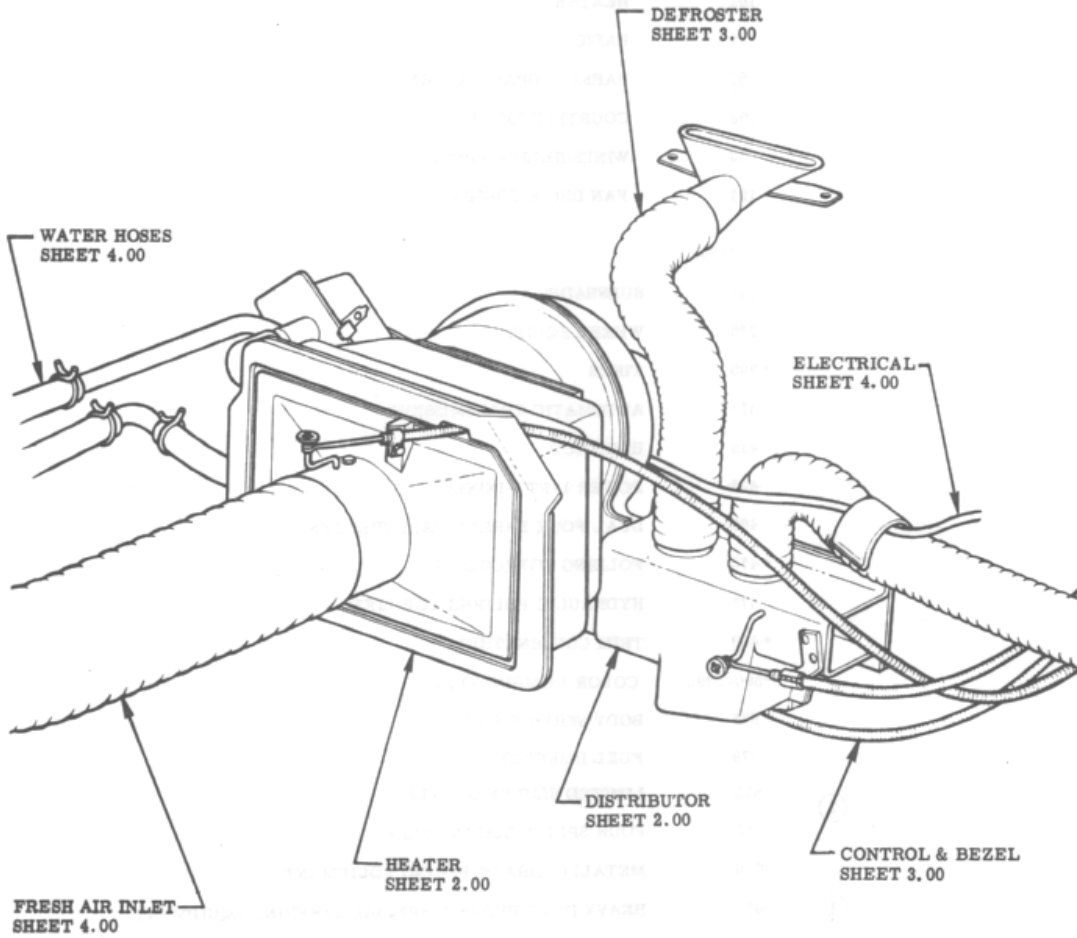
L. P. O.

- \* 1408 NYLON TIRES (SEE R. P. O. 276)
- ① 1625 GASOLINE TANK UNIT (24 GALLON)

\* DENOTES ITEMS NOT ILLUSTRATED

INDEX

CORVETTE INSTRUCTION MANUAL									
DATE	SYM.	REVISION RECORD	AUTH.	DR.	CK.	REF.	DRAWN	CHECKED	SHEET
	3	R. P. O. 687 ADDED			F				
	2	R. P. O. 684 REMOVED	20984			19977	SHAFFER	BUCK	1.00
7-27-59	1	L. P. O. 1625 ADDED	21353	CS					
		RELEASED				DATE	PART No.	F. O. A.	
						6-4-59	3774300	R. P. O.	
								L. P. O.	



HEATER INDEX

						NAME						CORVETTE CAR INSTRUCTION MANUAL					
						REF.		DRAWN		CHECKED		F. O. A.		SHEET			
						19977		BAILEY		BUCK		101		1.00			
						DATE		PART No.									
						5-28-59		3 7 7 4 3 0 0									
DATE	SYM.	REVISION RECORD				AUTH.	DR.	CK.									
		RELEASED															

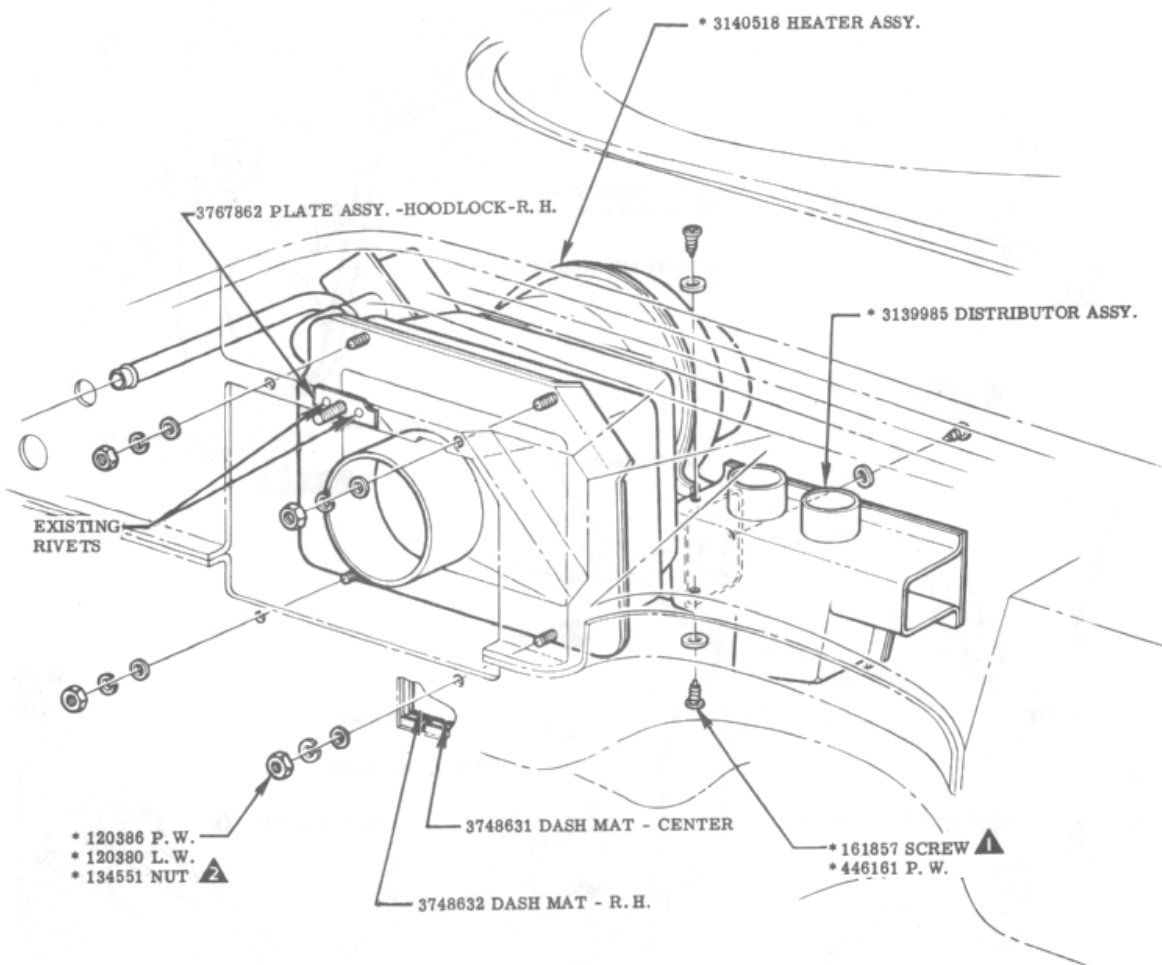
CHEVROLET MOTOR DIVISION



GENERAL MOTORS CORPORATION

▲ 12 - 18 LBS. IN.

▲ 42 - 52 LBS. IN.



ALL NUMBERED PARTS MARKED (\*)  
ARE PART OF UNIT 3763095

**HEATER & DISTRIBUTOR**

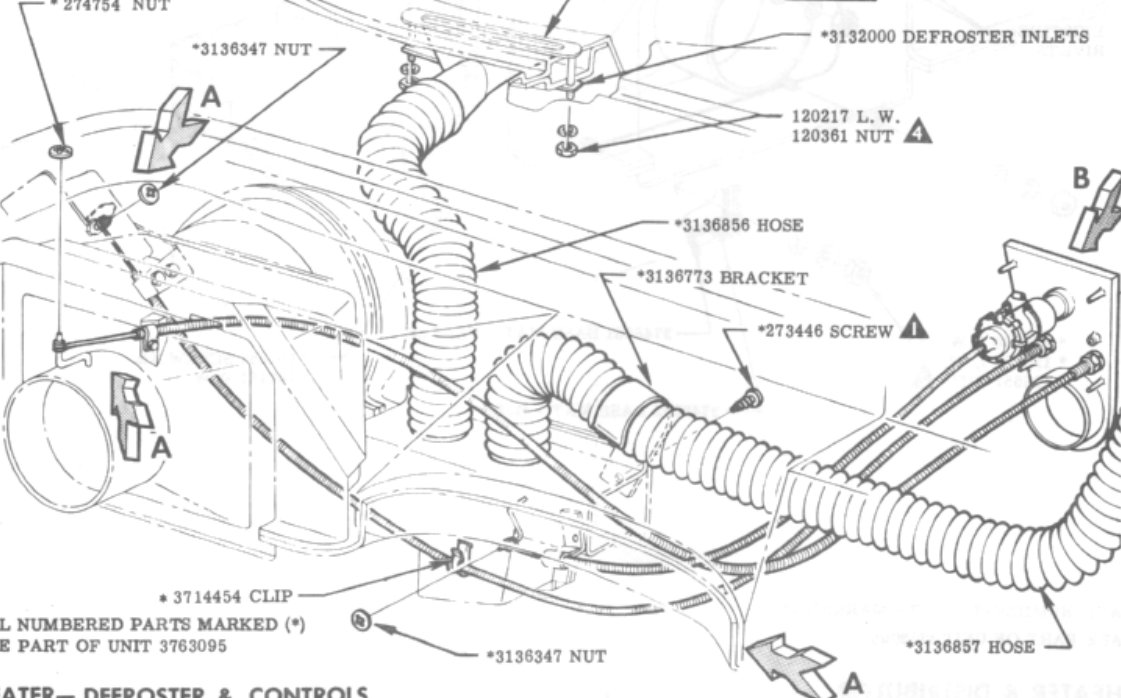
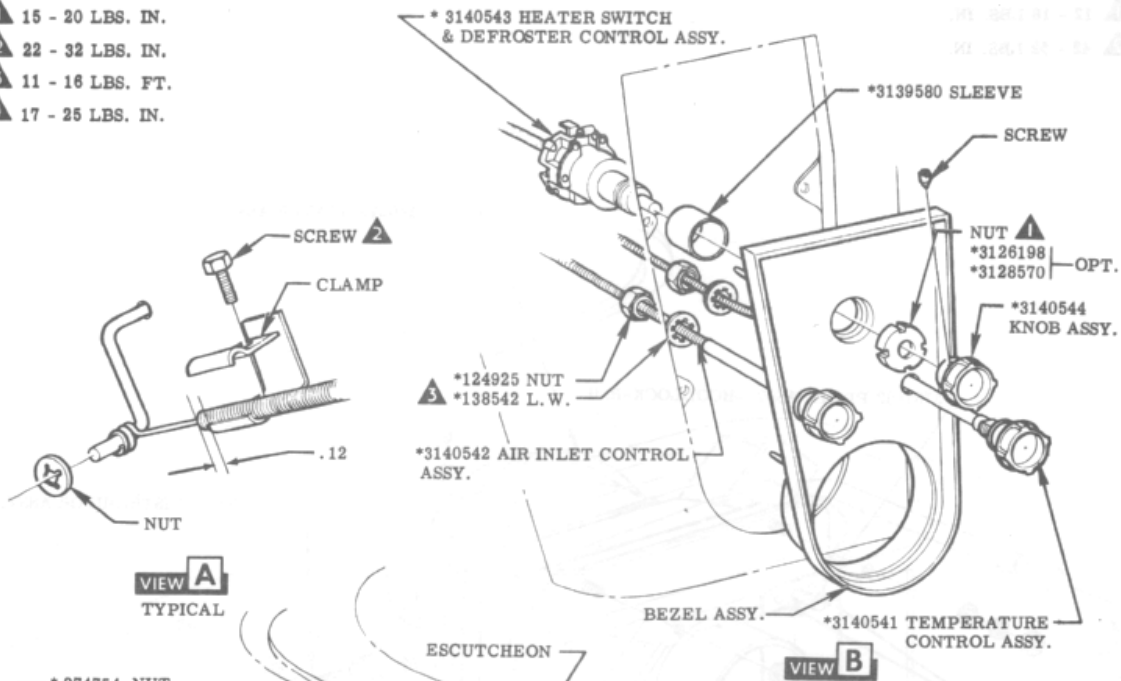
					NAME					CORVETTE INSTRUCTION MANUAL				
					REF.	DRAWN		CHECKED		F. O. A.		SHEET		
					19977	BAILEY		BUCK						
					DATE	PART No.					101		2.00	
					5-28-59	3774300								
DATE	SYM.	REVISION RECORD			AUTH.	DR.	CK.							
		RELEASED												

CHEVROLET MOTOR DIVISION



GENERAL MOTORS CORPORATION

- ▲ 15 - 20 LBS. IN.
- ▲ 22 - 32 LBS. IN.
- ▲ 11 - 16 LBS. FT.
- ▲ 17 - 25 LBS. IN.



ALL NUMBERED PARTS MARKED (\*) ARE PART OF UNIT 3763095

HEATER- DEFROSTER & CONTROLS

				CORVETTE INSTRUCTION MANUAL			
DATE		SYM.	REVISION RECORD	AUTH.	DR.	CK.	
RELEASED							
REF. 19977		DRAWN BAILEY		CHECKED BUCK		F. O. A.	SHEET
DATE 5-28-59		PART No. 3774300				101	3.00

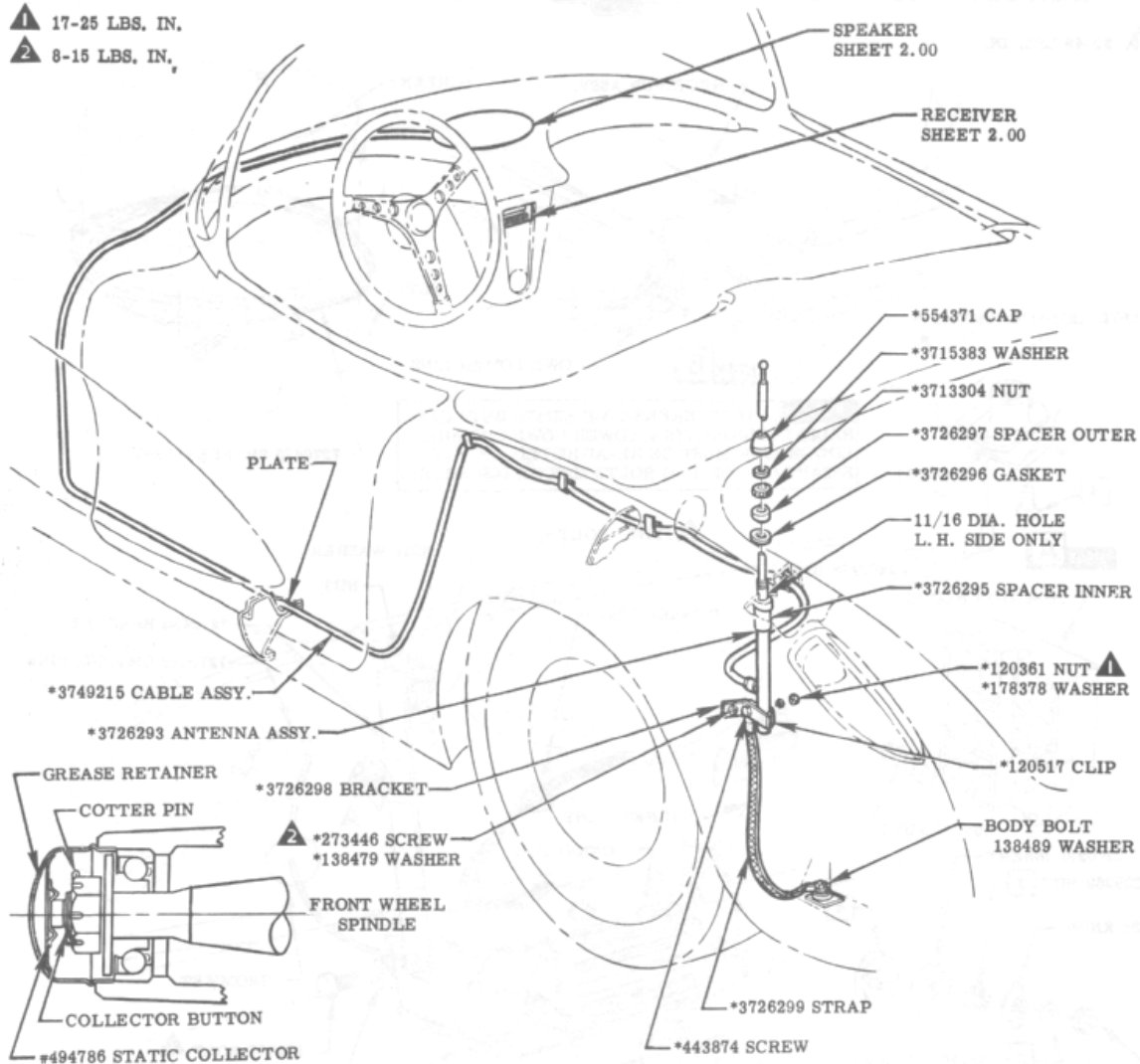


CHEVROLET MOTOR DIVISION



GENERAL MOTORS CORPORATION

- ▲ 17-25 LBS. IN.
- ▲ 8-15 LBS. IN.



CAPACITORS - SHEET 3.00

GROUND STRAPS - SHEET 4.00

IGNITION SHIELDS - SHEET 5.00

ALL NUMBERED PART MARKED # ARE PART OF UNIT 3748611

ALL NUMBERED PART MARKED \* ARE PART OF UNIT 3749220

FRONT WHEEL STATIC COLLECTOR INSTALLATION

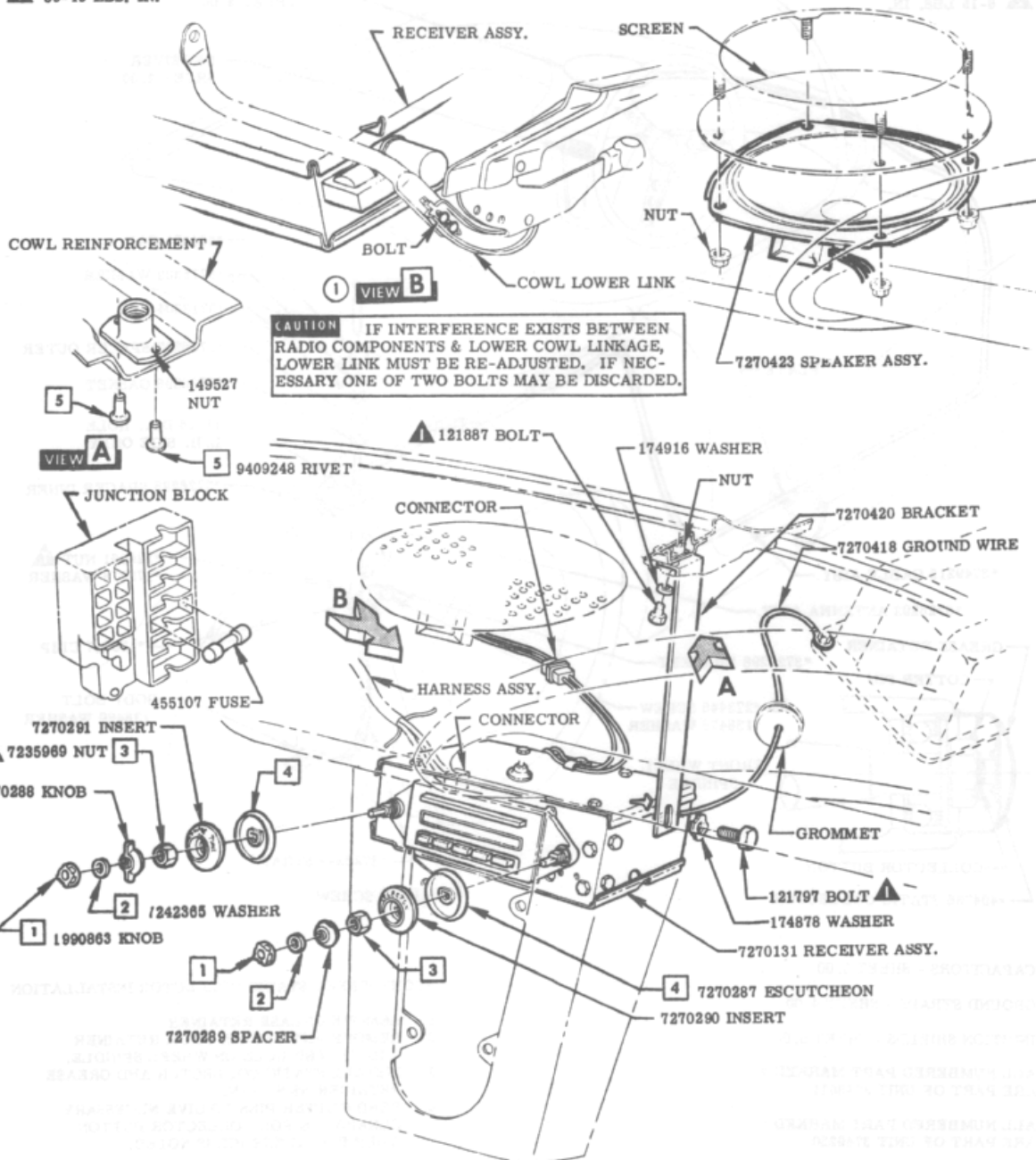
1. REMOVE GREASE RETAINER.
2. REMOVE ANY GREASE FROM RETAINER AND CENTER HOLE ON WHEEL SPINDLE.
3. INSTALL STATIC COLLECTOR AND GREASE RETAINER AS SHOWN.
4. BEND COTTER PINS TO GIVE NECESSARY CLEARANCE FOR COLLECTOR BUTTON WHEN INTERFERENCE IS NOTED.

RADIO - ANTENNA & INDEX

					CORVETTE INSTRUCTION MANUAL				
					REF.	DRAWN	CHECKED	F. O. A.	SHEET
					19977	ORR	BUCK		
					DATE	PART No.		102	1.00
DATE	SYM.	REVISION RECORD	AUTH.	DR. CK.	6-12-59	3774300			



▲ 39-49 LBS. IN.



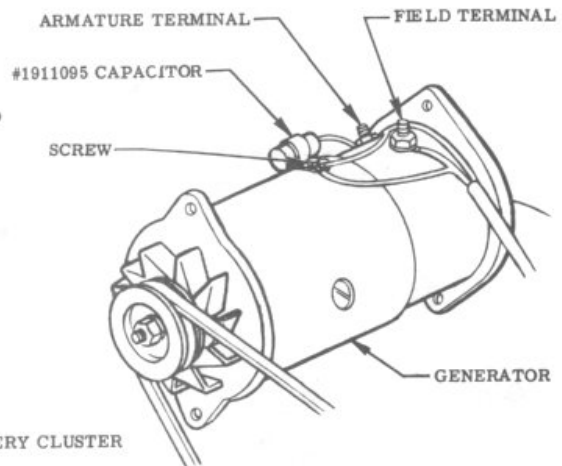
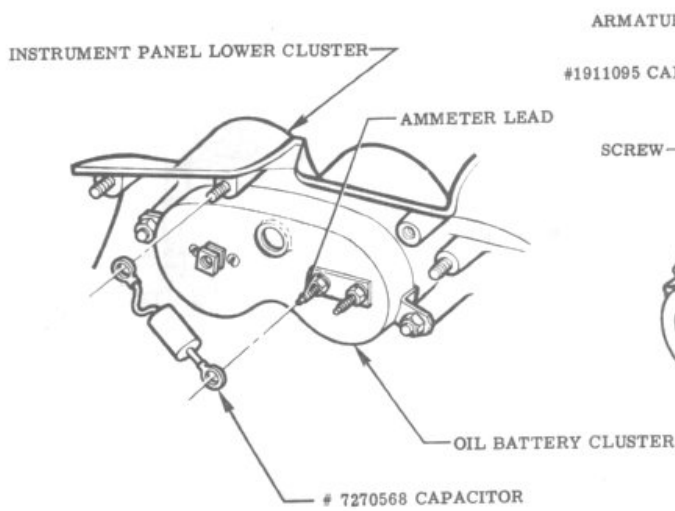
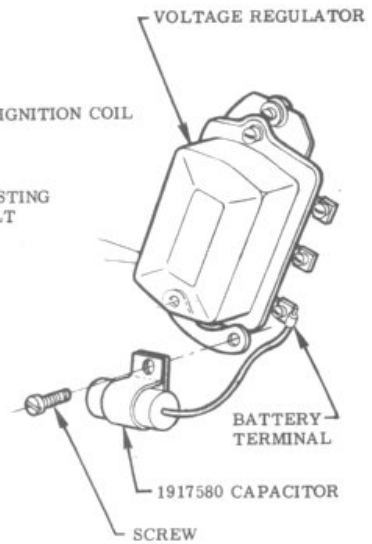
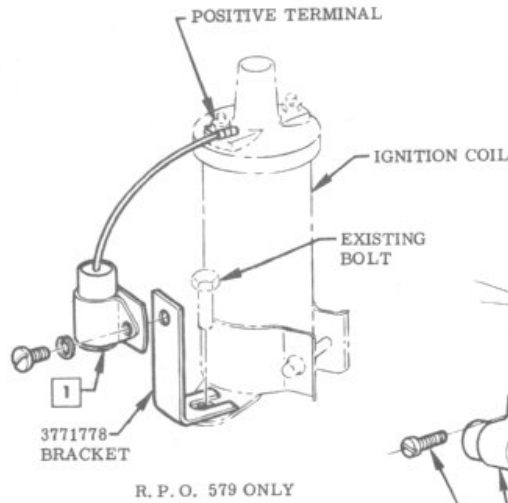
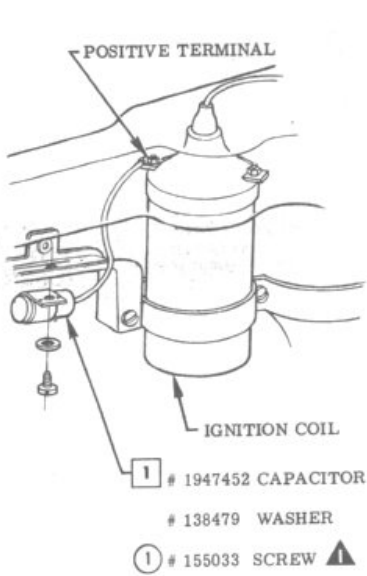
RADIO-RECEIVER & SPEAKER

				CORVETTE INSTRUCTION MANUAL				
				NAME	DRAWN	CHECKED	F. O. A.	SHEET
				REF.	ORR	BUCK		
1-14-60	1	VIEW ADDED	24564	RV	F	DATE	102	2.00
DATE	SYM.	REVISION RECORD	AUTH.	DR.	CK.	6-17-59	PART No. 3774300	





▲ 16-22 LBS. IN. (2)



ALL NUMBERED PARTS MARKED #  
ARE PART OF UNIT 3748611

**RADIO CAPACITORS**

					CORVETTE INSTRUCTION MANUAL				
	2	WAS 12-18 LBS. IN.			REF.	DRAWN	CHECKED	F. O. A.	SHEET
7-14-59	1	WAS 155103 RELEASED	15912	CO	19977	ORR	BUCK	102	3.00
DATE	SYM.	REVISION RECORD	AUTH.	DR.	CK.	DATE	PART No.		
						5-26-59	3774300		



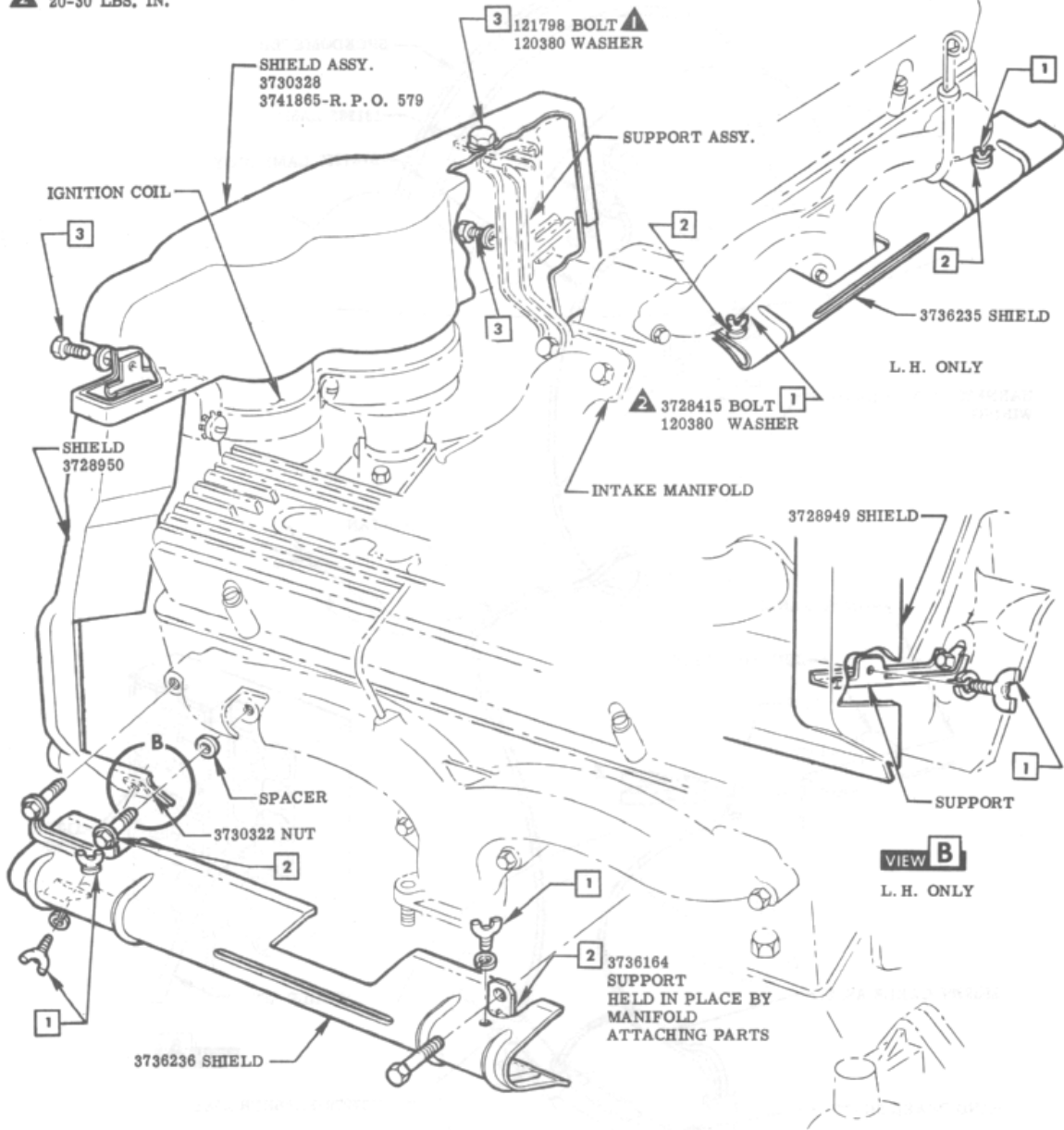
CHEVROLET MOTOR DIVISION



GENERAL MOTORS CORPORATION

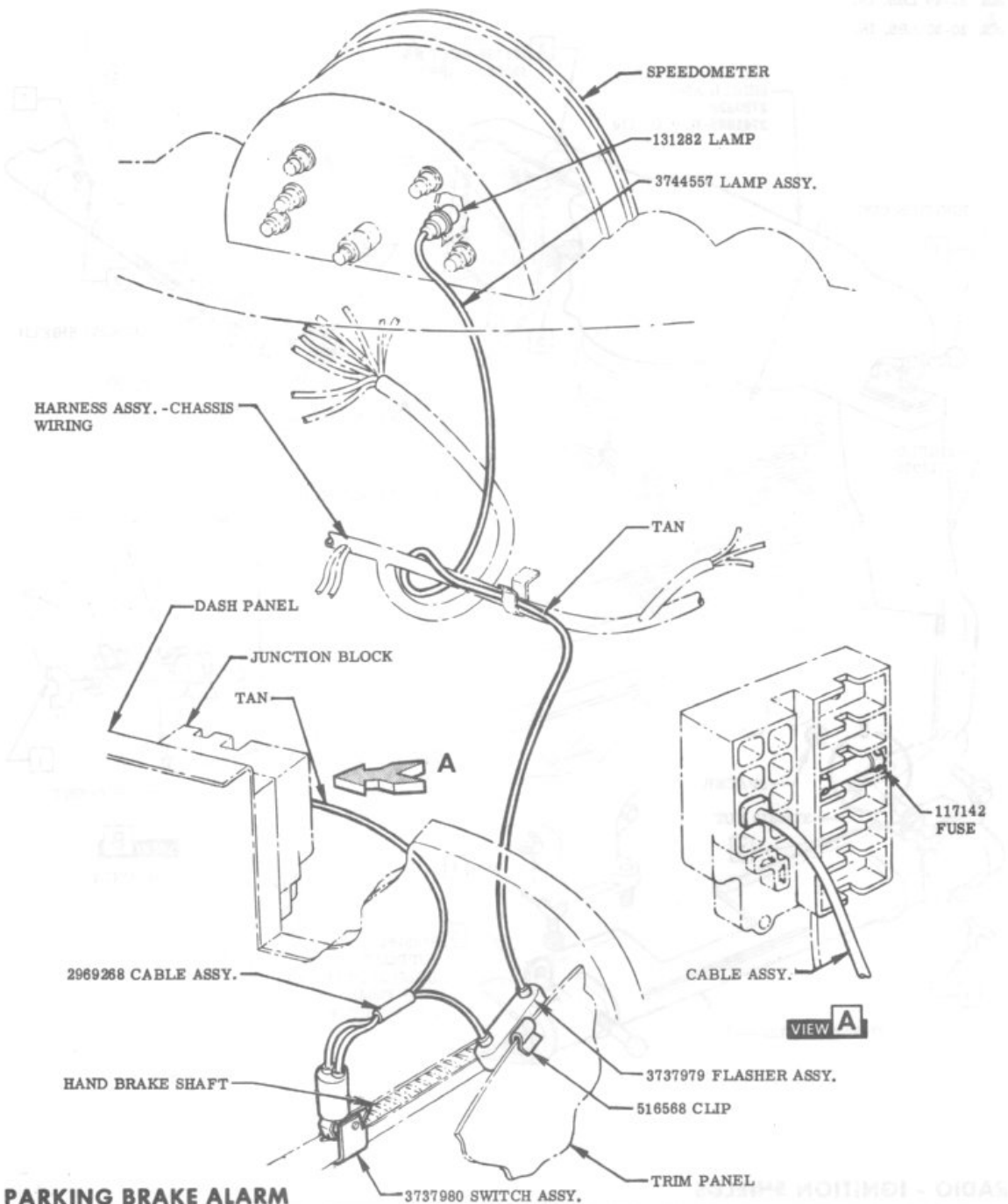
▲ 39-49 LBS. IN.

▲ 20-30 LBS. IN.



**RADIO - IGNITION SHIELDS**

						CORVETTE INSTRUCTION MANUAL					
						NAME	CORVETTE INSTRUCTION MANUAL				
						REF.	19977	DRAWN ORR	CHECKED BUCK	F. O. A.	SHEET
						DATE	5-26-59	PART No. 3774300		102	500
DATE	SYM.	REVISION RECORD		AUTH.	DR.	CK.					



**PARKING BRAKE ALARM**

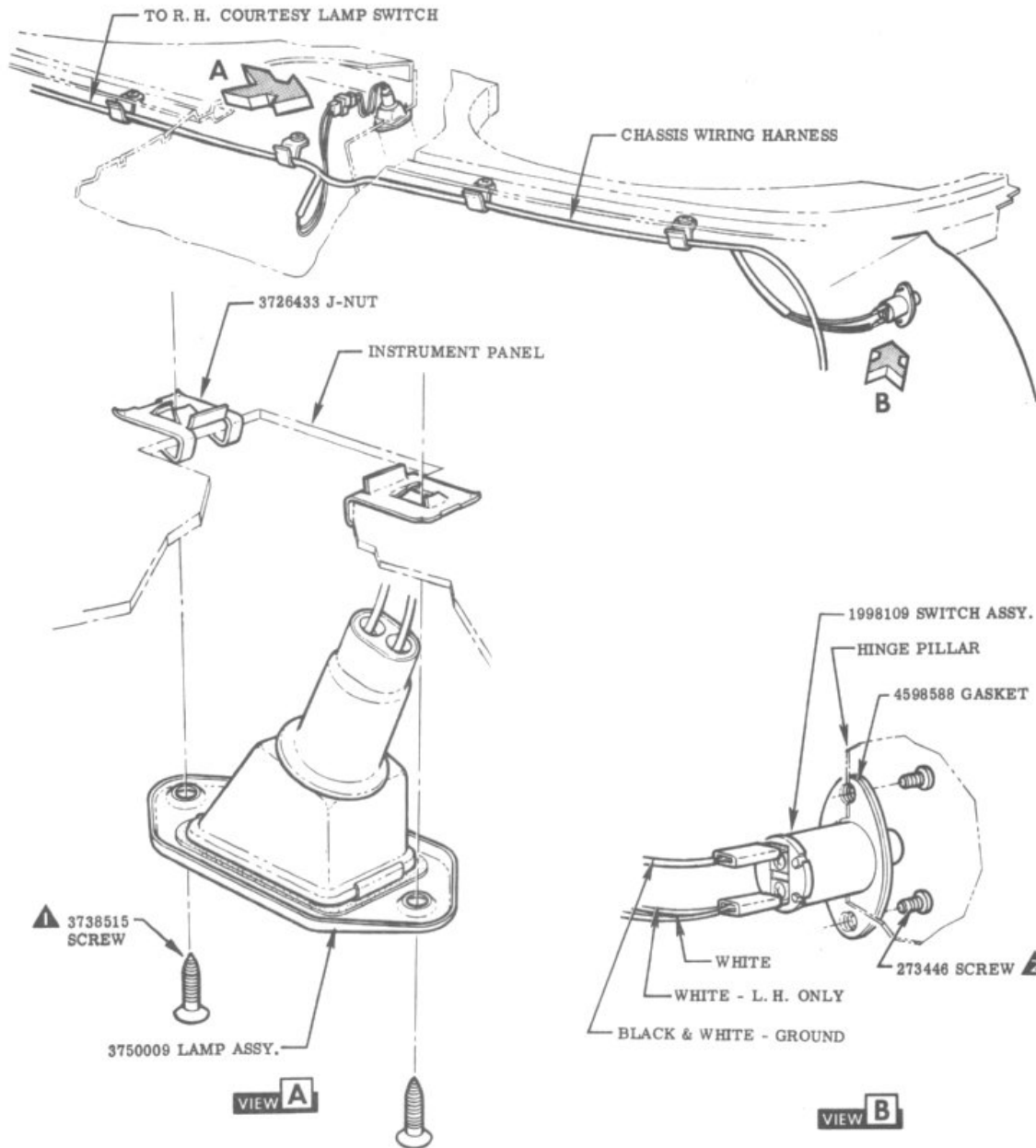
						NAME	CORVETTE INSTRUCTION MANUAL			
						REF.	DRAWN	CHECKED	F. O. A.	SHEET
						19977	FWLER	BUCK		107
						DATE	PART No.		107	1.00
						5-27-59	3774300			
DATE	SYM.	REVISION RECORD	AUTH.	DR.	CK.					

CHEVROLET MOTOR DIVISION



GENERAL MOTORS CORPORATION

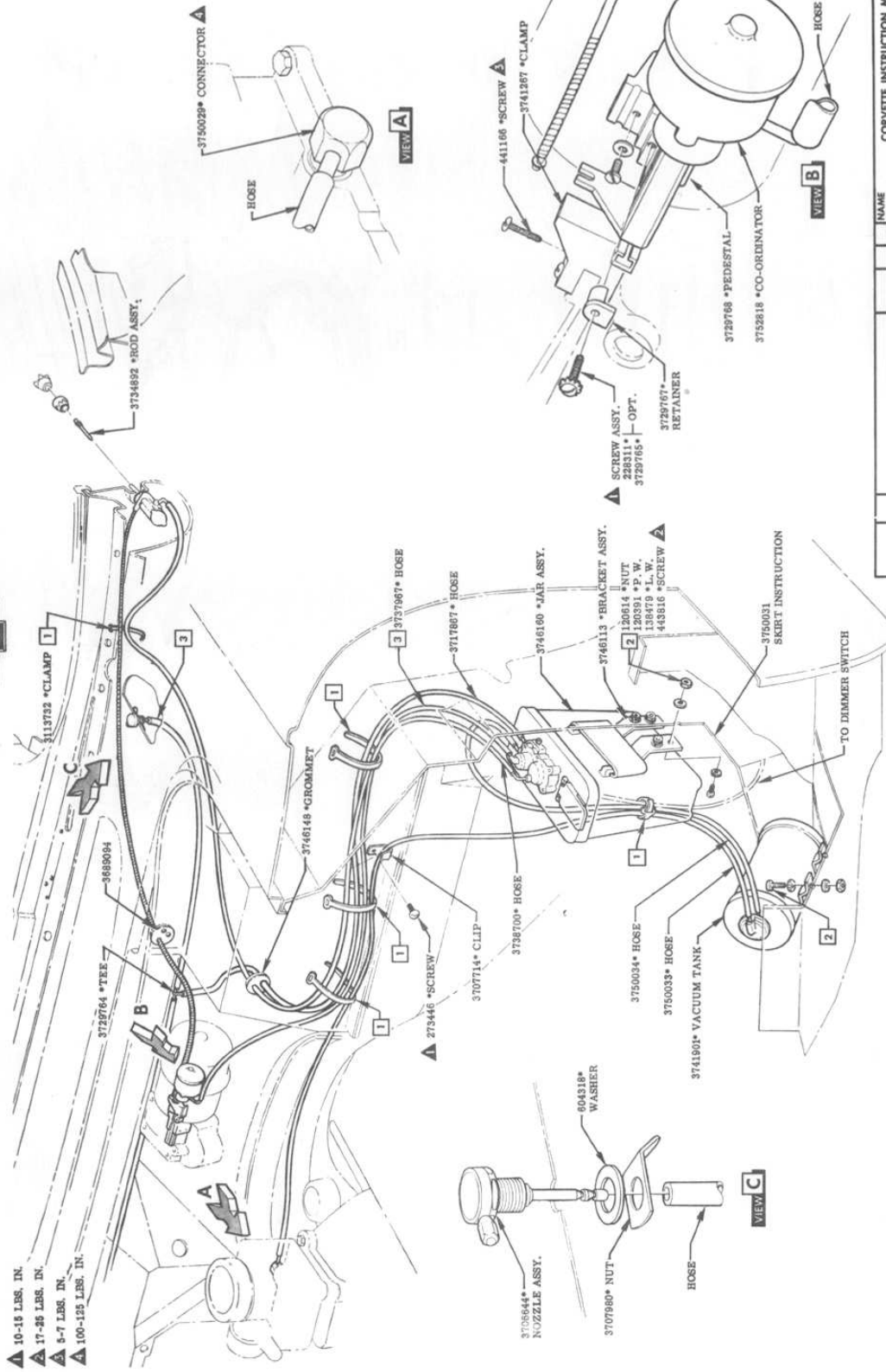
- ▲ 20-25 LBS. IN.
- ▲ 8-15 LBS. IN.



**COURTESY LAMP**

					NAME	CORVETTE INSTRUCTION MANUAL						
					REF.	19977	DRAWN	ORR	CHECKED	BUCK	F. O. A.	SHEET
					DATE	6-8-59	PART No.		3774300		108	1.00
DATE	SYM.	REVISION RECORD	AUTH.	DR. CK.								

- ▲ 10-15 LBS. IN.
- ▲ 17-25 LBS. IN.
- ▲ 5-7 LBS. IN.
- ▲ 100-125 LBS. IN.



ALL NUMBERED PARTS WITH \*  
ARE PART OF UNIT 3748430

WINDSHIELD WASHER

DATE	SYM	REVISION RECORD	AUTH	DR	CK	NAME
						CORVETTE INSTRUCTION MANUAL
						DRAWN SAUNDERS
						CHECKED SAUNDERS
						F.O.A. BUCK
						109
						1.00
						RELEASED
						DATE 5-25-59
						PART No. 3774300



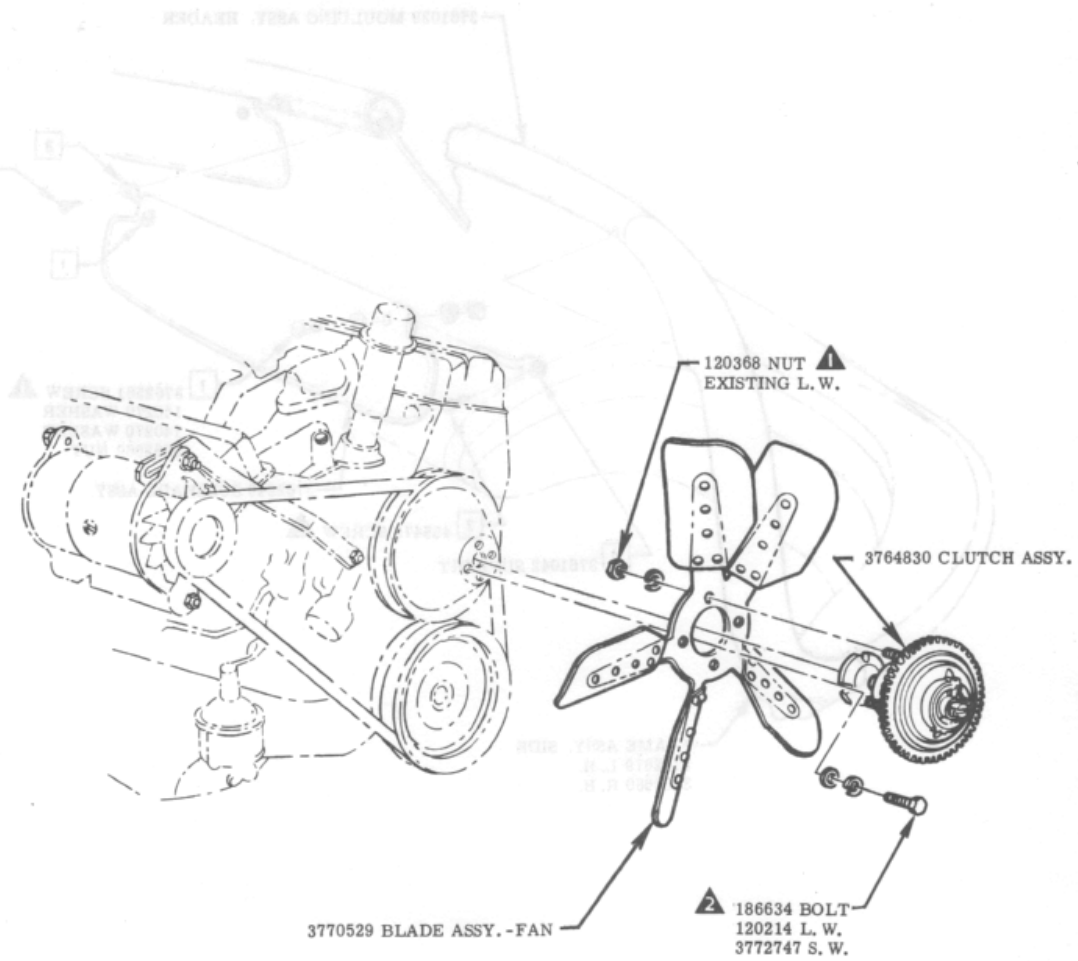
CHEVROLET MOTOR DIVISION



GENERAL MOTORS CORPORATION

- ▲ 90-120 LBS. IN.
- ▲ 20-27 LBS. FT.

MT DEL 8-8 ▲  
MT DEL 06-08 ▲



FAN DRIVE EQUIPMENT

						NAME	CORVETTE INSTRUCTION MANUAL				
						REF.	19977	DRAWN BAILEY	CHECKED BUCK	F. O. A.	SHEET
		RELEASED				DATE	6-1-59	PART No.	3774300	121	1.00
DATE	SYM.	REVISION RECORD	AUTH.	DR.	CK.						



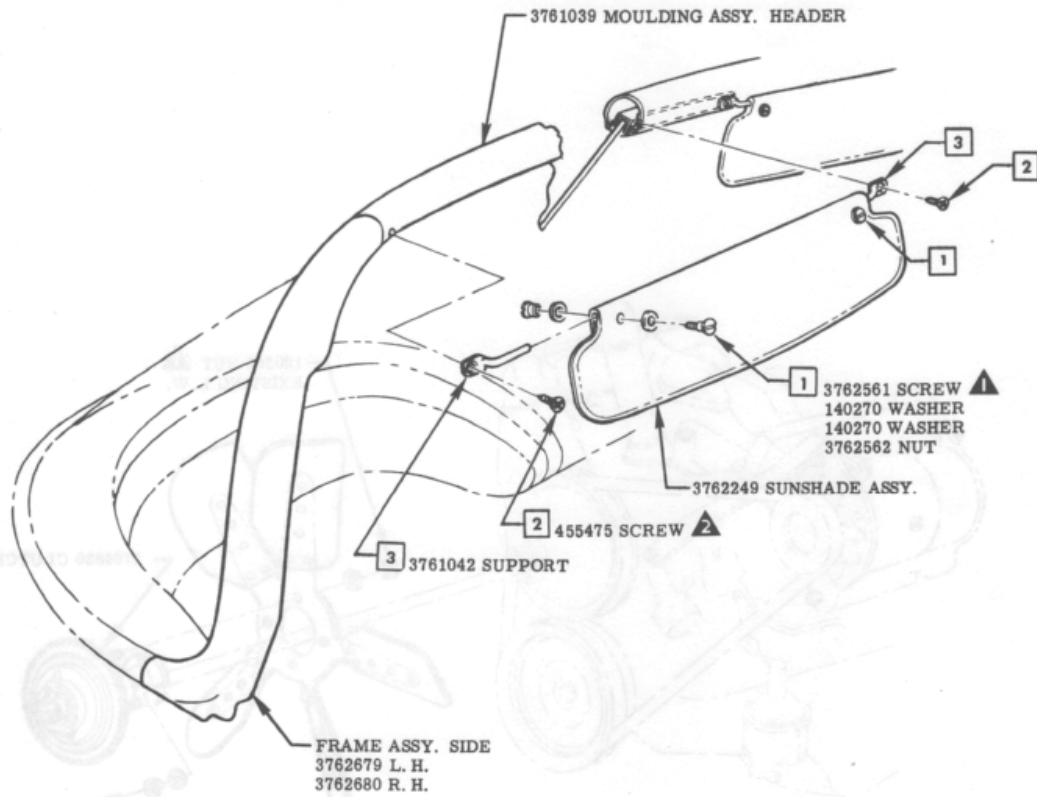
CHEVROLET MOTOR DIVISION



GENERAL MOTORS CORPORATION

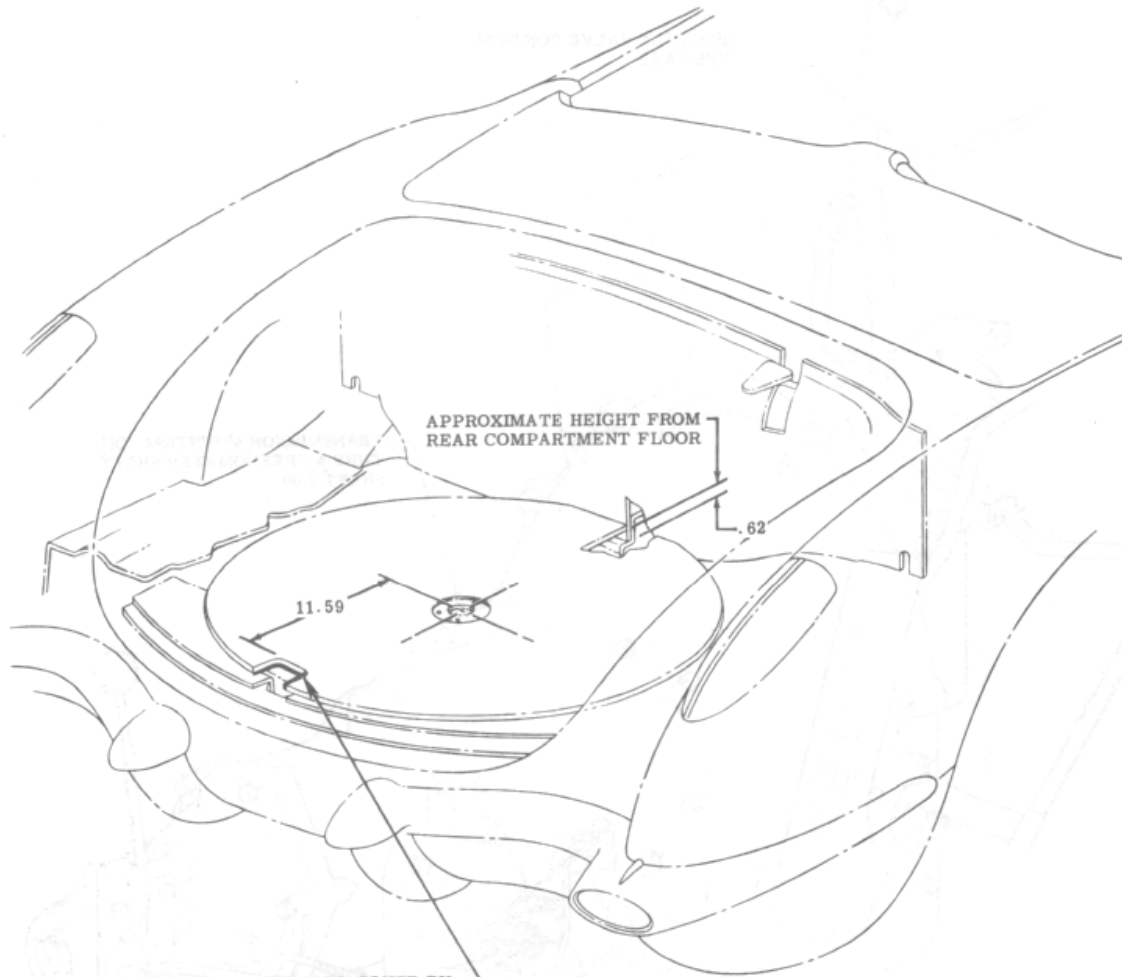
- ▲ 6-9 LBS. IN.
- ▲ 20-30 LBS. IN.

NO. 261 061-00 ▲  
 77 261 75-04 ▲



SUNSHADE—WINDSHIELD

				CORVETTE INSTRUCTION MANUAL			
REF.		DRAWN		CHECKED		R. P. O.	
19977		ORR		BUCK		261	
DATE		PART No.		R. P. O.		SHEET	
5-27-59		3774300		261		1.00	
DATE	SYM.	REVISION RECORD	AUTH.	DR.	CK.		

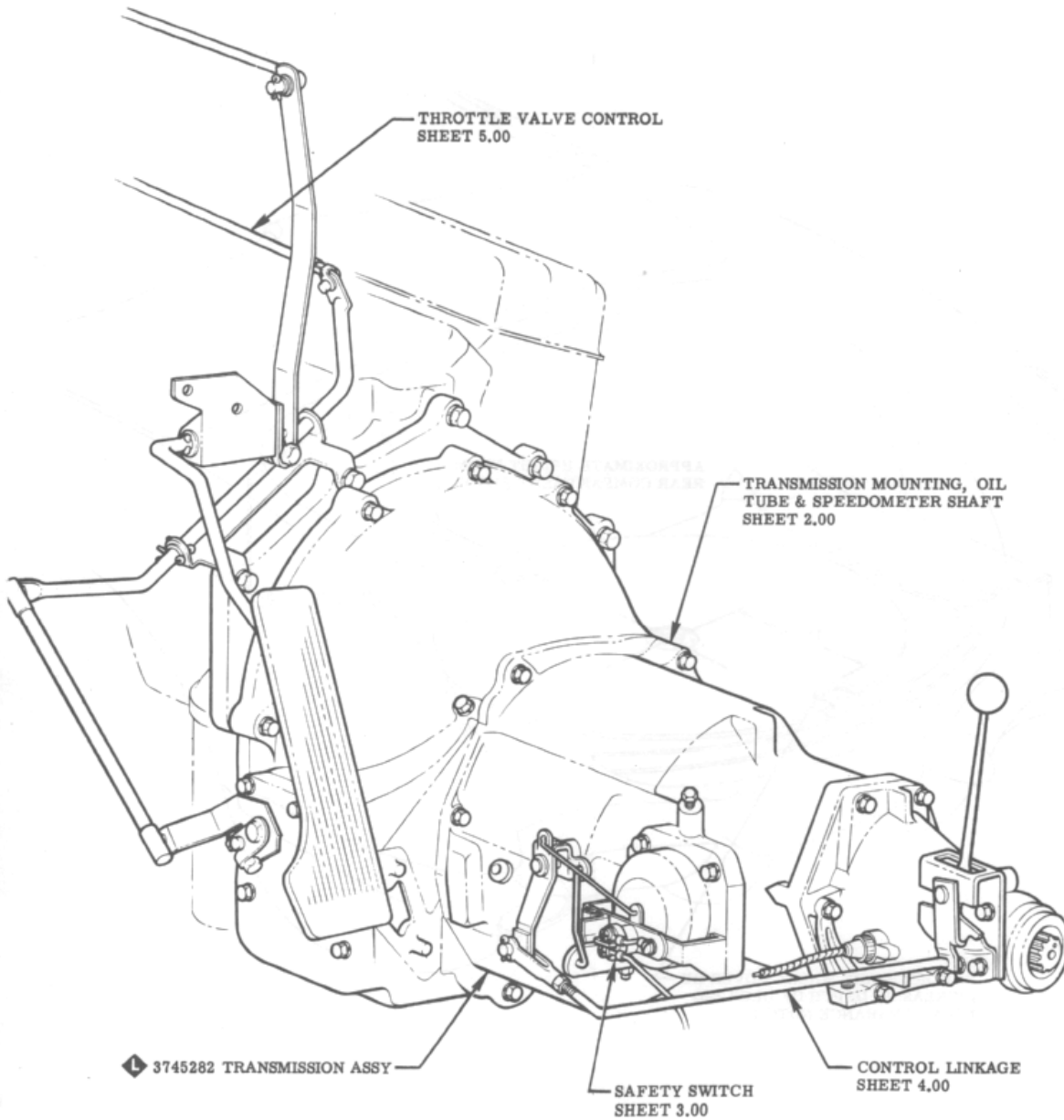


REWORK SPARE WHEEL COVER BY INCREASING DEPTH OF DECK LID LOCK CLEARANCE NOTCH

USED WITH  
L. P. O. 1408

15 x 5.50 WHEEL EQUIPMENT

						NAME	CORVETTE INSTRUCTION MANUAL			
						REF.	DRAWN	CHECKED	R. P. O.	SHEET
						19977	SHAFFER	BUCK		
		RELEASED				DATE	PART No.		276	1.00
		REVISION RECORD		AUTH.	DR.	CK.	5-27-59	3 7 7 4 3 0 0		

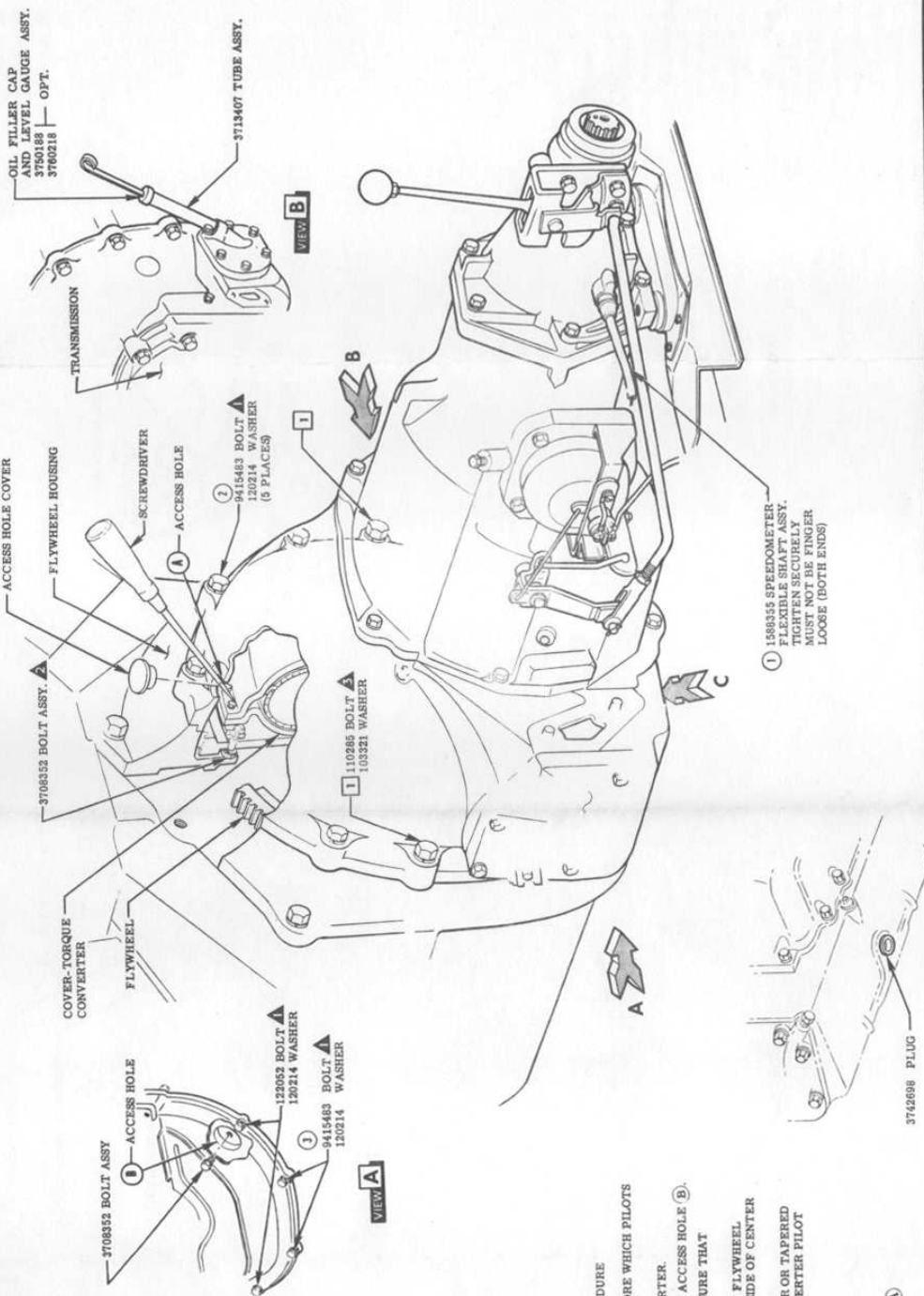


WIRING DIAGRAM SEE SECTION # 12

**AUTOMATIC TRANSMISSION INDEX**

					CORVETTE INSTRUCTION MANUAL				
					REF.	DRAWN	CHECKED	R. P. O.	SHEET
					19977	W. OHRYN	BUCK	313	1.00
					DATE	PART No.			
DATE	SYM.	REVISION RECORD	AUTH.	DR. CK.	5-26-59	3774300			

- ▲ 14-18 LBS. FT.
- ▲ 30-35 LBS. FT.
- ▲ 22-29 LBS. FT.



- SUGGESTED ENGINE MOUNTING PROCEDURE
1. PUT FILM OF LUBRIPATE IN CRANKSHAFT BORE WHICH PILOTS CONVERTER COVER.
  2. ALIGN BOLT HOLES IN FLYWHEEL AND CONVERTER.
  3. INSTALL GUIDE PIN IN NUT ON CONVERTER AT ACCESS HOLE (B).
  4. REMOVE CONVERTER SAFETY CLAMP (MAKE SURE THAT CONVERTER HAS NOT SLIPPED FORWARD).
  5. ENTER TRANSMISSION HOUSING INTO PILOT ON FLYWHEEL HOUSING AND ASSEMBLE ONE BOLT ON EACH SIDE OF CENTER AT TOP.
  6. PRY CONVERTER UPWARD USING SCREWDRIVER OR TAPERED TOOL THROUGH ACCESS HOLE (A) UNTIL CONVERTER PILOT ENTERS HOLE IN CRANKSHAFT.
  7. REMOVE PILOT PIN FROM ACCESS HOLE (B).
  8. DRIVE FLYWHEEL TO CONVERTER BOLTS.
  9. DRIVE FLYWHEEL HOUSING BOLTS.
  10. DRIVE OIL FILLER PLUG INTO ACCESS HOLE (A).
  11. REASSEMBLE FLYWHEEL HOUSING COVER.

TRANSMISSION MOUNTING, SPEEDOMETER SHAFT & OIL TUBE

DATE	SYM.	REVISION RECORD	AUTH.	DR.	CK.	DATE	BY	CHKD.	REV.	NAME
3-11-60	2	WAS 122040	100M1	JS	WO	1977	1977			313
9-2-59	1	WAS 156543	21732	WO	B					2.00
		RELEASED				5-26-59				3774300

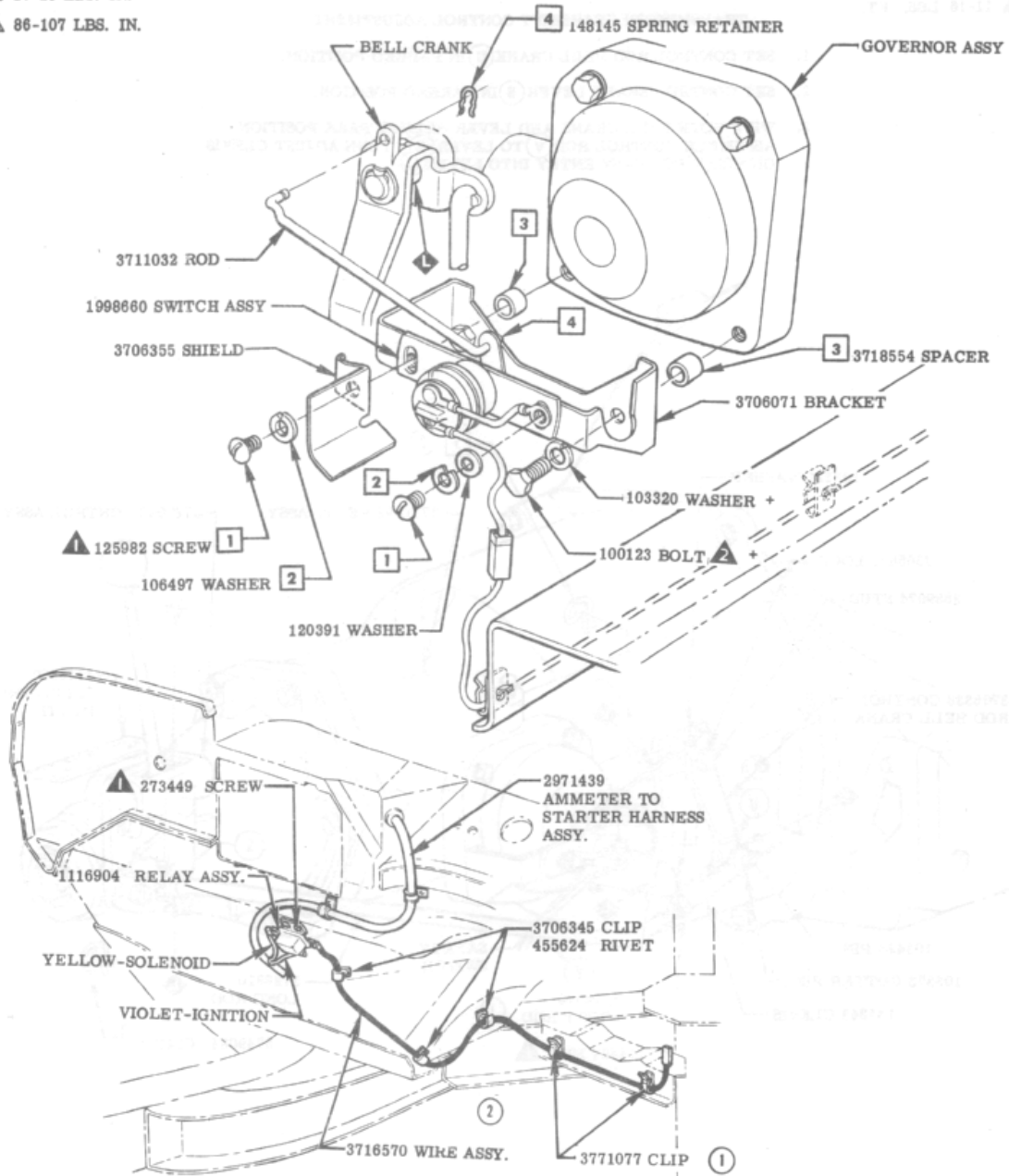
CHEVROLET MOTOR DIVISION



GENERAL MOTORS CORPORATION

▲ 17-25 LBS. IN.

▲ 86-107 LBS. IN.



**SAFETY SWITCH & STARTER RELAY**

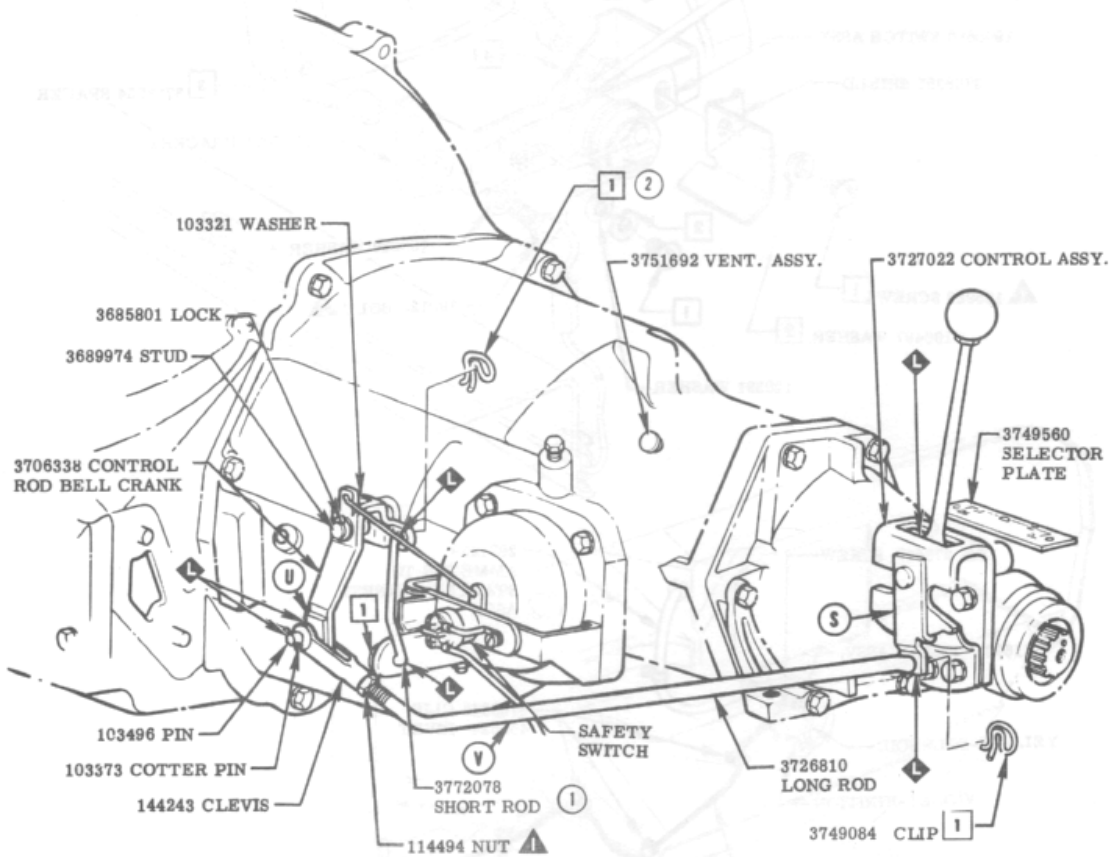
SAFETY SWITCH & STARTER RELAY				CORVETTE INSTRUCTION MANUAL						
3-16-60	2	VIEW REVISED		PR	F	REF. 19977	DRAWN OHRYN	CHECKED BUCK	R. P. O.	SHEET
8-14-59	1	WAS 451314 RELEASED	21104	WO	B	DATE 5-26-59	PART No. 3774300		313	3.00
DATE	SYM.	REVISION RECORD	AUTH.	DR.	CK.					



▲ 11-16 LBS. FT.

TRANSMISSION GEARSHIFT CONTROL ADJUSTMENT

1. SET CONTROL ROD BELL CRANK (U) IN PARKED POSITION.
2. SET CONTROL SHAFT LEVER (S) IN PARKED POSITION.
3. WITH BOTH BELL CRANK AND LEVER HELD IN PARK POSITION, ASSEMBLE CONTROL ROD (V) TO LEVER (S) THEN ADJUST CLEVIS ON ROD (V) FOR EASY ENTRY INTO LEVER (U)



CONTROL LINKAGE & ADJUSTMENT

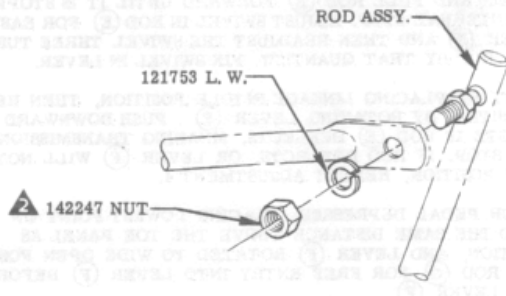
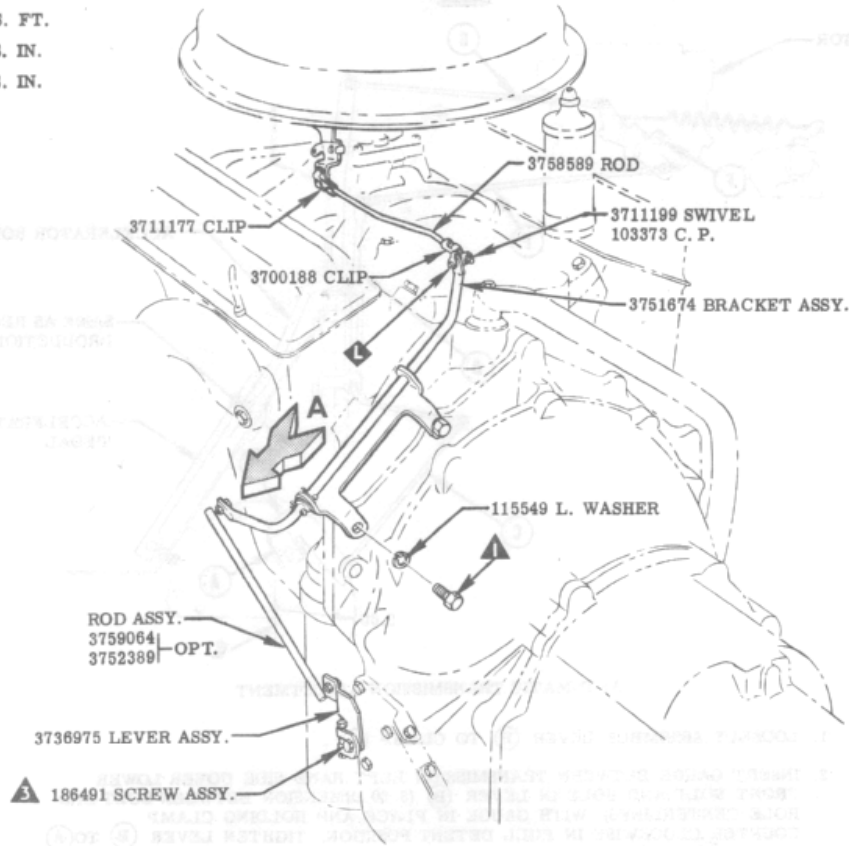
REVISION RECORD		AUTH.		DR. CK.		DATE		PART No.		R. P. O.		SHEET	
3-11-60	2	WAS 371704 SPRING, 103340 WASHER & 103373 C. P.		JS	F	19977		3774300		313		4.00	
9-22-59	1	WAS 3689972 RELEASED		15928	WO	5-26-59							
DATE	SYM.	REVISION RECORD		AUTH.	DR. CK.	DATE		PART No.		R. P. O.		SHEET	

CHEVROLET MOTOR DIVISION



GENERAL MOTORS CORPORATION

- ▲ 25 - 30 LBS. FT.
- ▲ 52 - 65 LBS. IN.
- ▲ 72 - 96 LBS. IN.



VIEW A

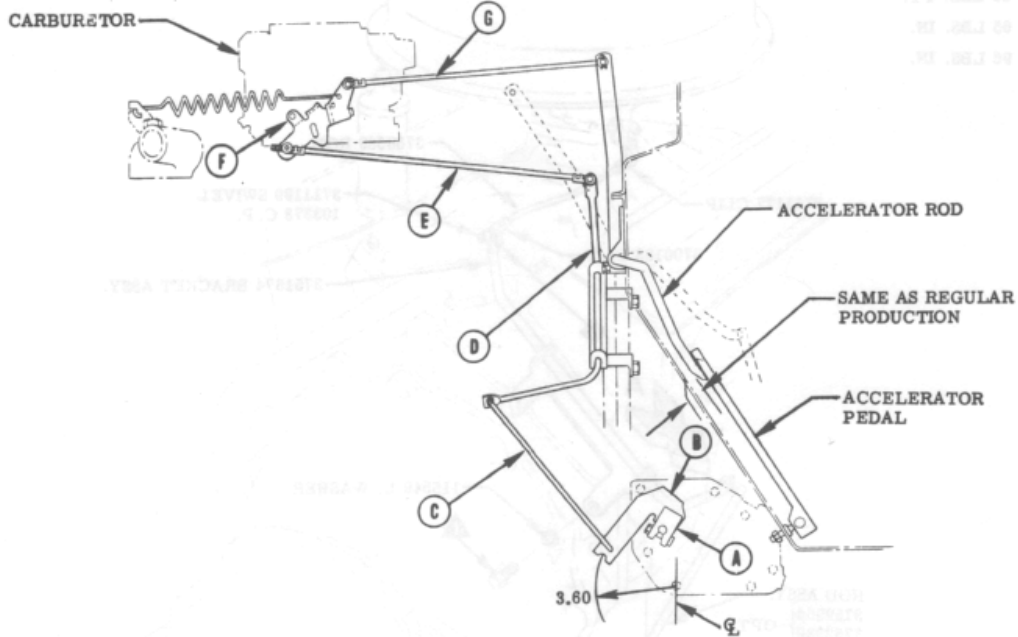
**THROTTLE VALVE CONTROL**

				NAME		CORVETTE INSTRUCTION MANUAL	
				REF.	DRAWN	CHECKED	R. P. O.
				19977	OHRYN	BUCK	
				DATE	PART No.		313
				5-26-59	3774300		5.00
DATE	SYM.	REVISION RECORD	AUTH.	DR.	CK.		

CHEVROLET MOTOR DIVISION



GENERAL MOTORS CORPORATION



AUTOMATIC TRANSMISSION ADJUSTMENT

1. LOOSELY ASSEMBLE LEVER (B) TO CLAMP (A) .
2. INSERT GAUGE BETWEEN TRANSMISSION LEFT HAND SIDE COVER LOWER FRONT BOLT AND HOLE IN LEVER (B) (3.60 DIMENSION BETWEEN BOLT AND HOLE CENTERLINES). WITH GAUGE IN PLACE AND HOLDING CLAMP COUNTER CLOCKWISE IN FULL DETENT POSITION, TIGHTEN LEVER (B) TO CLAMP (A) . REMOVE GAUGE.
3. INSTALL ROD ASSY. (C) .
4. INSTALL ROD (E) IN CROSS SHAFT ASSEMBLY, (D) . PLACE LEVER (F) IN WIDE OPEN POSITION AND PULL ROD (E) FORWARD UNTIL IT IS STOPPED BY TRANSMISSION INTERNAL STOP. ADJUST SWIVEL IN ROD (E) FOR EASY ENTRANCE IN LEVER (F) AND THEN READJUST THE SWIVEL THREE TURNS, LENGTHENING THE ROD BY THAT QUANTITY. FIX SWIVEL IN LEVER.
5. CHECK ADJUSTMENT BY PLACING LINKAGE IN IDLE POSITION, THEN RETURN TO WIDE OPEN POSITION BY ROTATING LEVER (F) . PUSH DOWNWARD ON LEVER (B) AND NOTE IF ROD (E) DEFLECTS, MEANING TRANSMISSION IS NOT ON INTERNAL STOP. IF ROD DEFLECTS, OR LEVER (F) WILL NOT REACH WIDE OPEN POSITION, REPEAT ADJUSTMENT 4.
6. WITH ACCELERATOR PEDAL DEPRESSED, PLACING LOWEST POINT ON ACCELERATOR ROD THE SAME DISTANCE ABOVE THE TOE PANEL AS REGULAR PRODUCTION, AND LEVER (F) ROTATED TO WIDE OPEN POSITION, ADJUST SWIVEL IN ROD (G) FOR FREE ENTRY INTO LEVER (F) BEFORE FIXING SWIVEL TO LEVER (F) .
7. CHECK ADJUSTMENT BY RELEASING, THEN DEPRESSING ACCELERATOR PEDAL. CHECK LEVER (F) FOR WIDE OPEN POSITION. IF LEVER (F) WILL NOT REACH WIDE OPEN POSITION, REPEAT STEP 6.

THROTTLE VALVE ADJUSTMENT

				NAME				CORVETTE INSTRUCTION MANUAL					
				REF. 19977		DRAWN OHRYN		CHECKED BUCK		R. P. O.		SHEET	
				DATE 5-23-59		PART No. 3774300		313		6.00			
DATE	SYM.	REVISION RECORD	AUTH.	DR.	CK.								

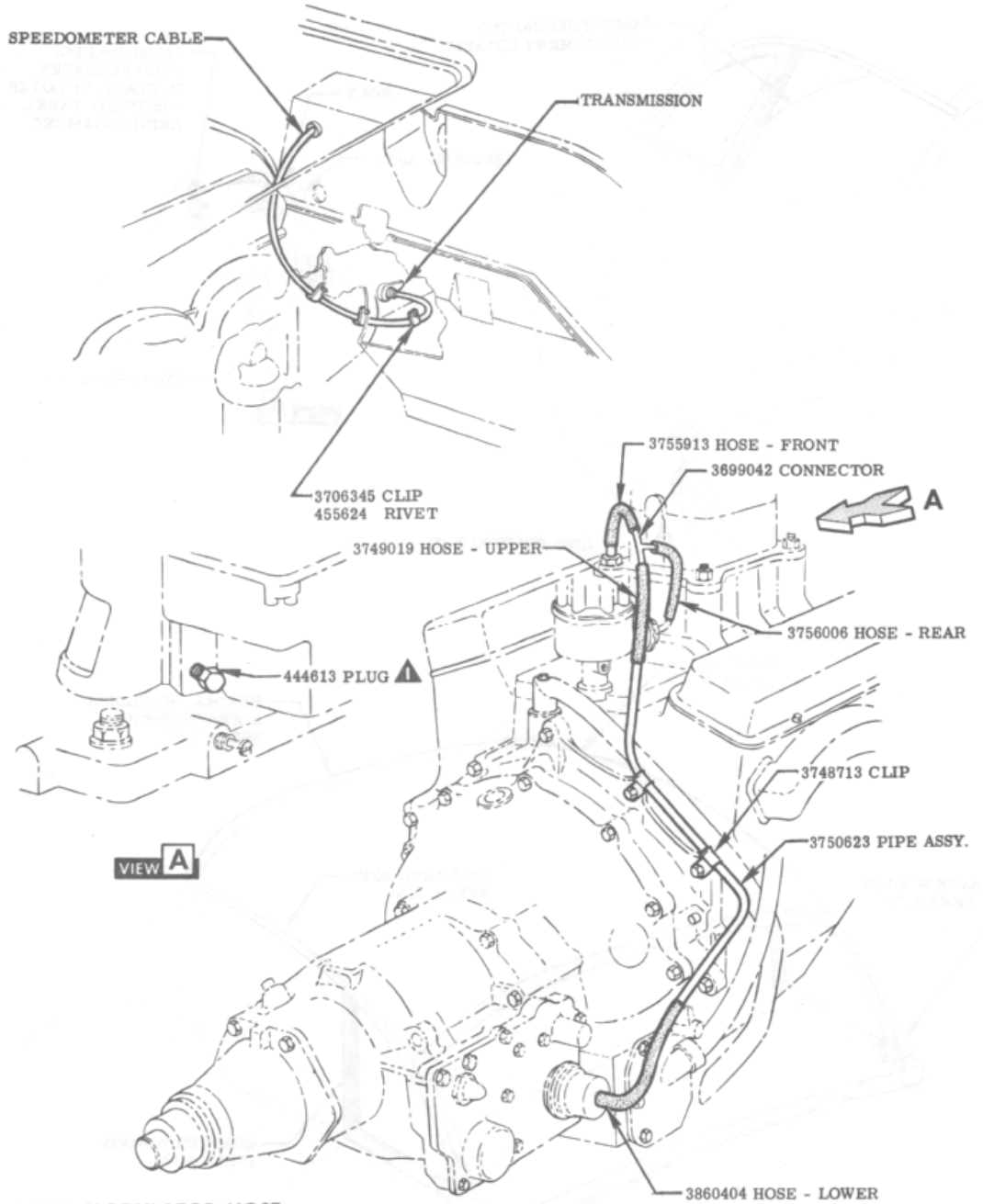


CHEVROLET MOTOR DIVISION



GENERAL MOTORS CORPORATION

▲ 75-95 LBS. IN.



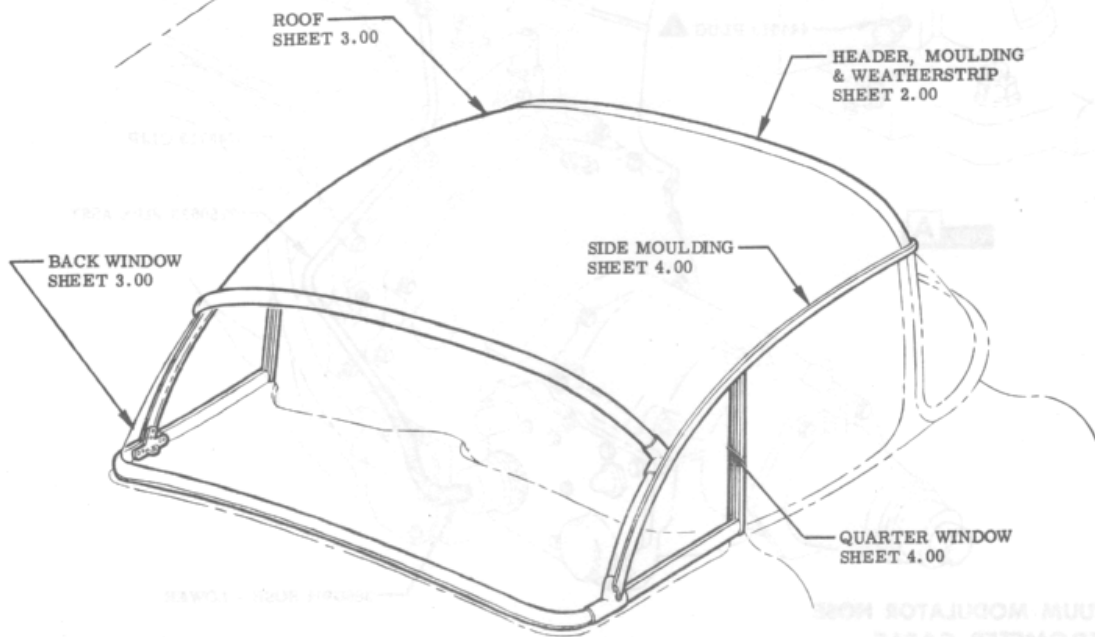
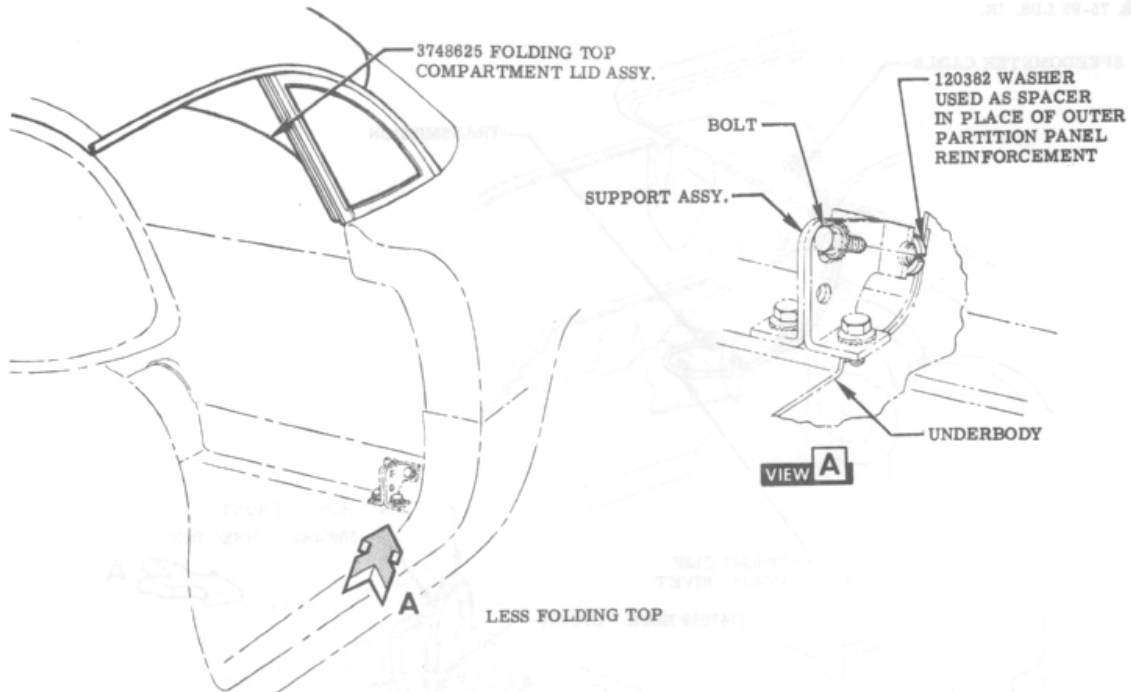
**VACUUM MODULATOR HOSE  
SPEEDOMETER CABLE**

				NAME				CORVETTE INSTRUCTION MANUAL			
				REF.	DRAWN	CHECKED	R. P. O.	SHEET			
				19977	OHRYN	BUCK	313			7.00	
				DATE	PART No.						
				5-26-59	3774300						
DATE	SYM.	REVISION RECORD	AUTH.	DR.	CK.						
		RELEASED									

CHEVROLET MOTOR DIVISION



GENERAL MOTORS CORPORATION



**HARD TOP INDEX**

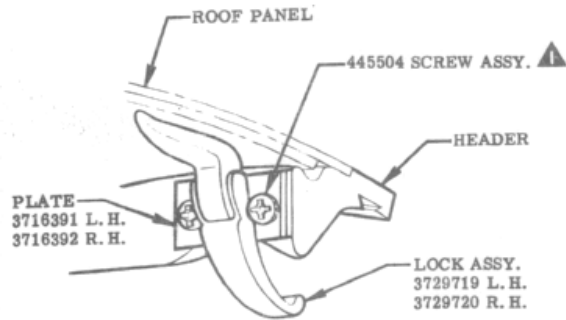
				NAME				CORVETTE INSTRUCTION MANUAL					
				REF.	19977	DRAWN	ORR	CHECKED	BUCK	R. P. O.	419	SHEET	1.00
				DATE	5-27-59	PART No.		3774300					
DATE	SYM.	REVISION RECORD	AUTH.	DR.	CK.								

CHEVROLET MOTOR DIVISION

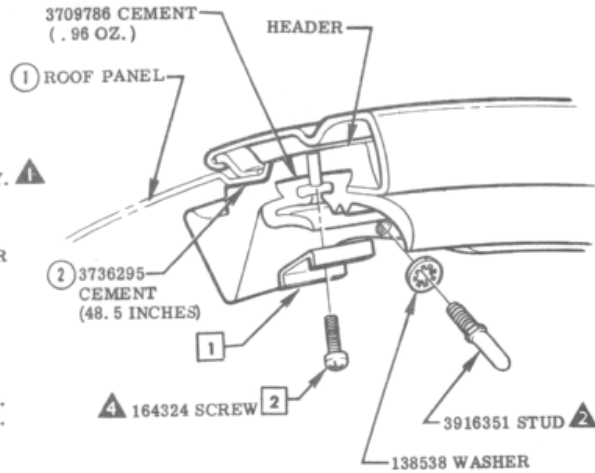


GENERAL MOTORS CORPORATION

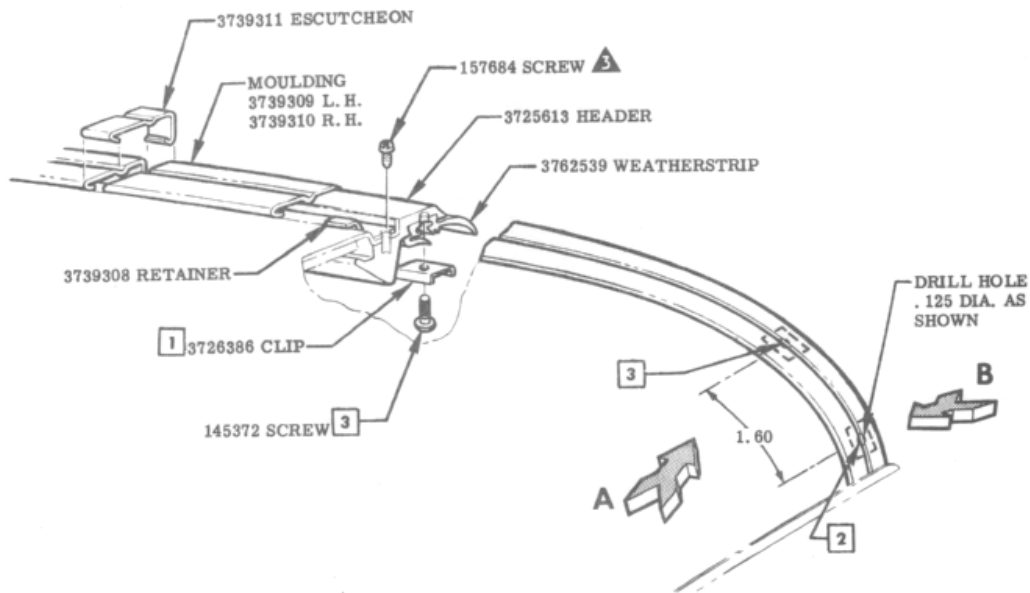
- ▲ 1 42-52 LBS. IN.
- ▲ 2 69-86 LBS. IN.
- ▲ 3 12-18 LBS. IN.
- ▲ 4 10-15 LBS. IN.



VIEW A



VIEW B



**HARD TOP—  
HEADER, MOULDING & WEATHERSTRIP**

				CORVETTE INSTRUCTION MANUAL						
DATE	SYM.	REVISION RECORD	AUTH.	DR.	CK.	NAME	DRAWN	CHECKED	R. P. O.	SHEET
	2	CEMENT ADDED	15943		F	REF. 19977	ORR	BUCK		
11-16-59	1	NOTE REVISED RELEASED		CO		DATE 5-27-59			419	2.00
						PART No.	3774300			

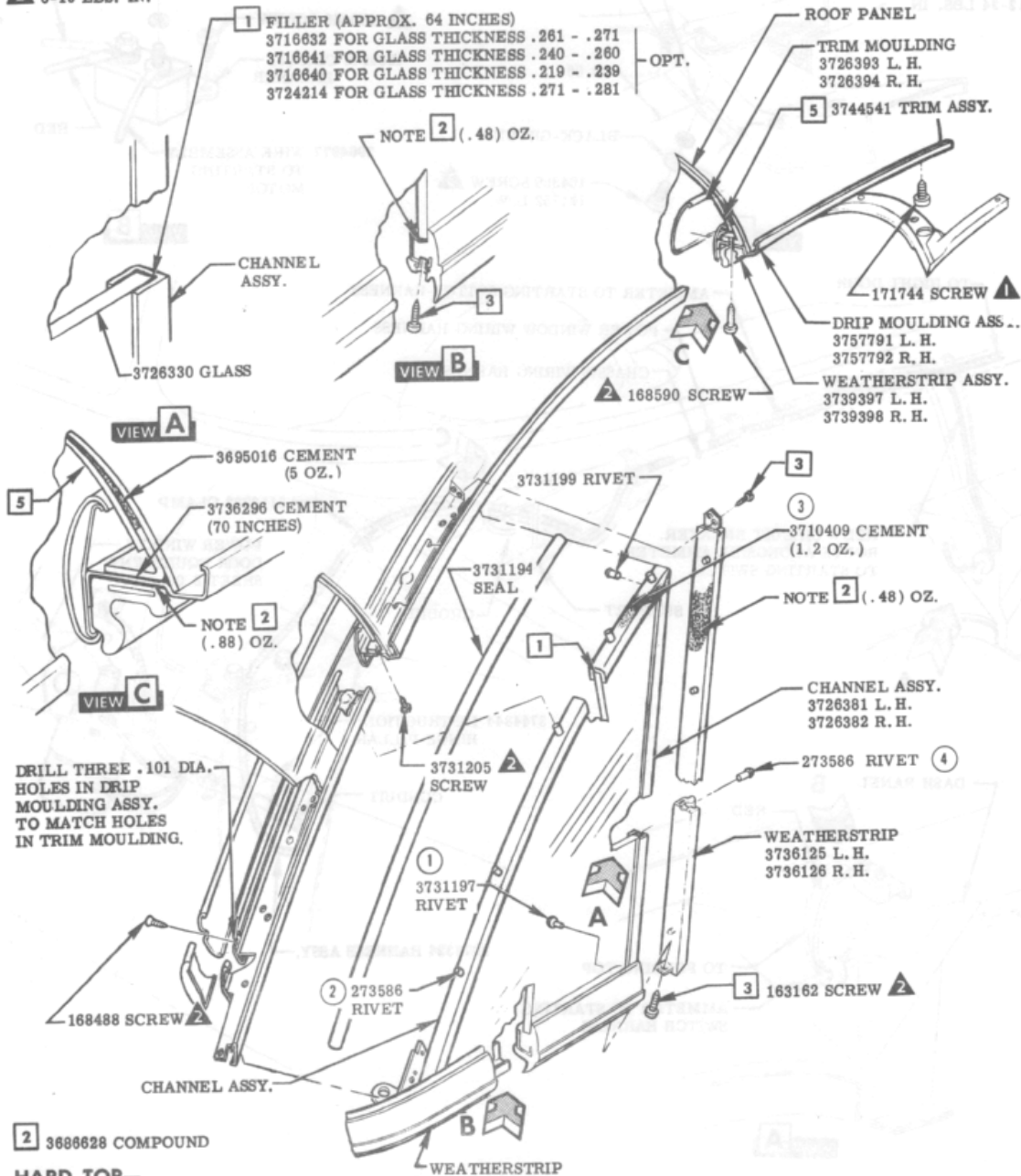


CHEVROLET MOTOR DIVISION



GENERAL MOTORS CORPORATION

- ▲ 40-50 LBS. IN.
- ▲ 8-15 LBS. IN.



**HARD TOP—  
 SIDE MOULDING, WEATHER STRIP & QUARTER WINDOW**

REVISION RECORD						CORVETTE INSTRUCTION MANUAL				
DATE	SYM.	REVISION RECORD	AUTH.	DR.	CK.	NAME	DRAWN	CHECKED	R. P. O.	SHEET
3-11-60	4	WAS 131284	15969	CO	F	19977	ORR	BUCK	419	4.00
	3	WAS 466943 CEMENT	15943		F					
	2	NO. ADDED								
11-16-59	1	WAS 273586		CO						
		RELEASED								
						DATE	PART No.			
						5-27-59	3774300			

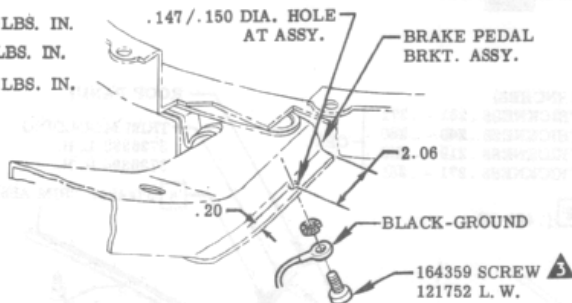
RPO4194 Hard Top Side Moulding Weather Strio Quarter Window

CHEVROLET MOTOR DIVISION

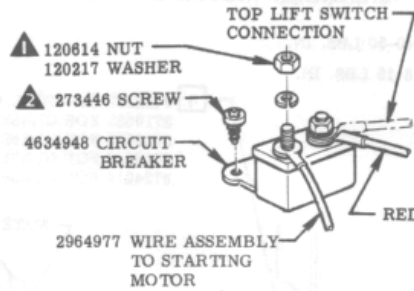


GENERAL MOTORS CORPORATION

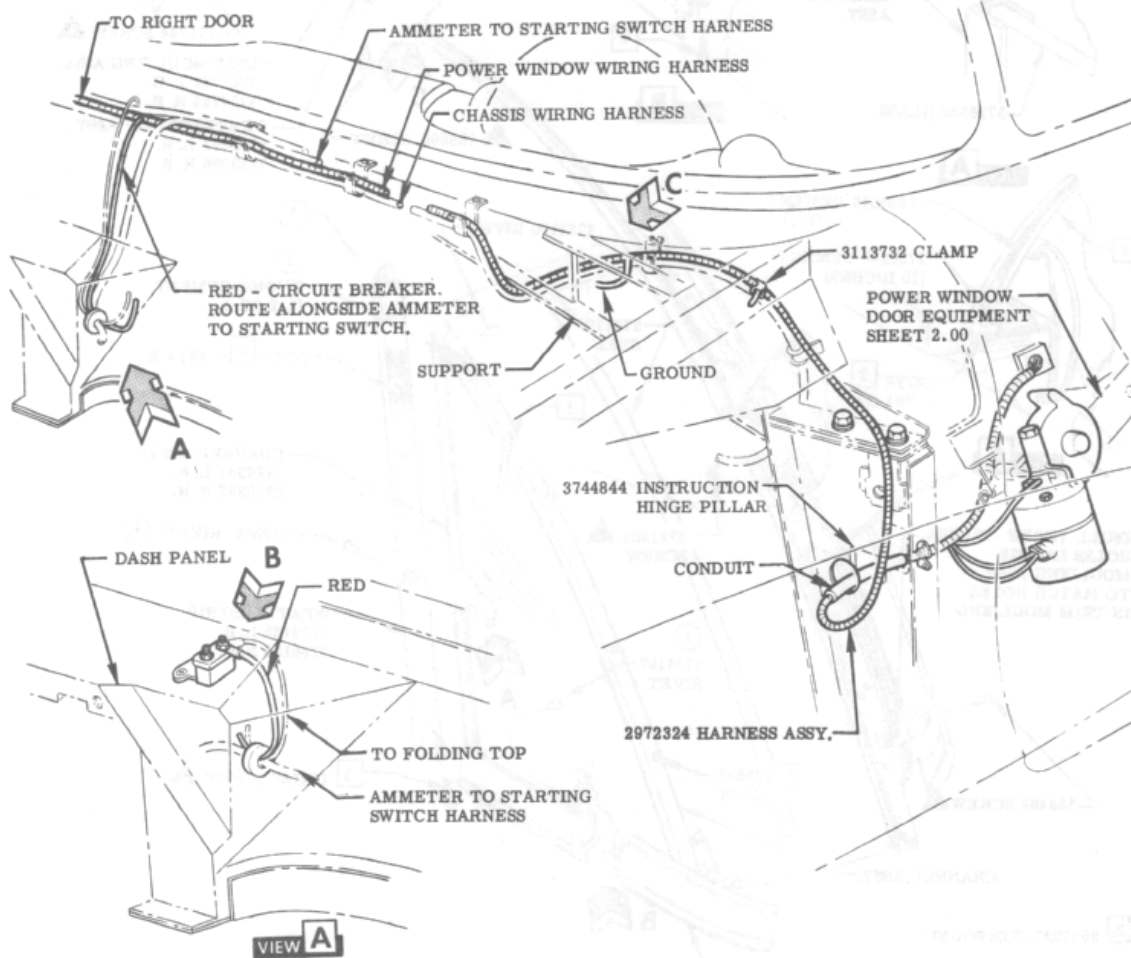
- ▲ 23-35 LBS. IN.
- ▲ 8-15 LBS. IN.
- ▲ 12-24 LBS. IN.



VIEW C



VIEW B

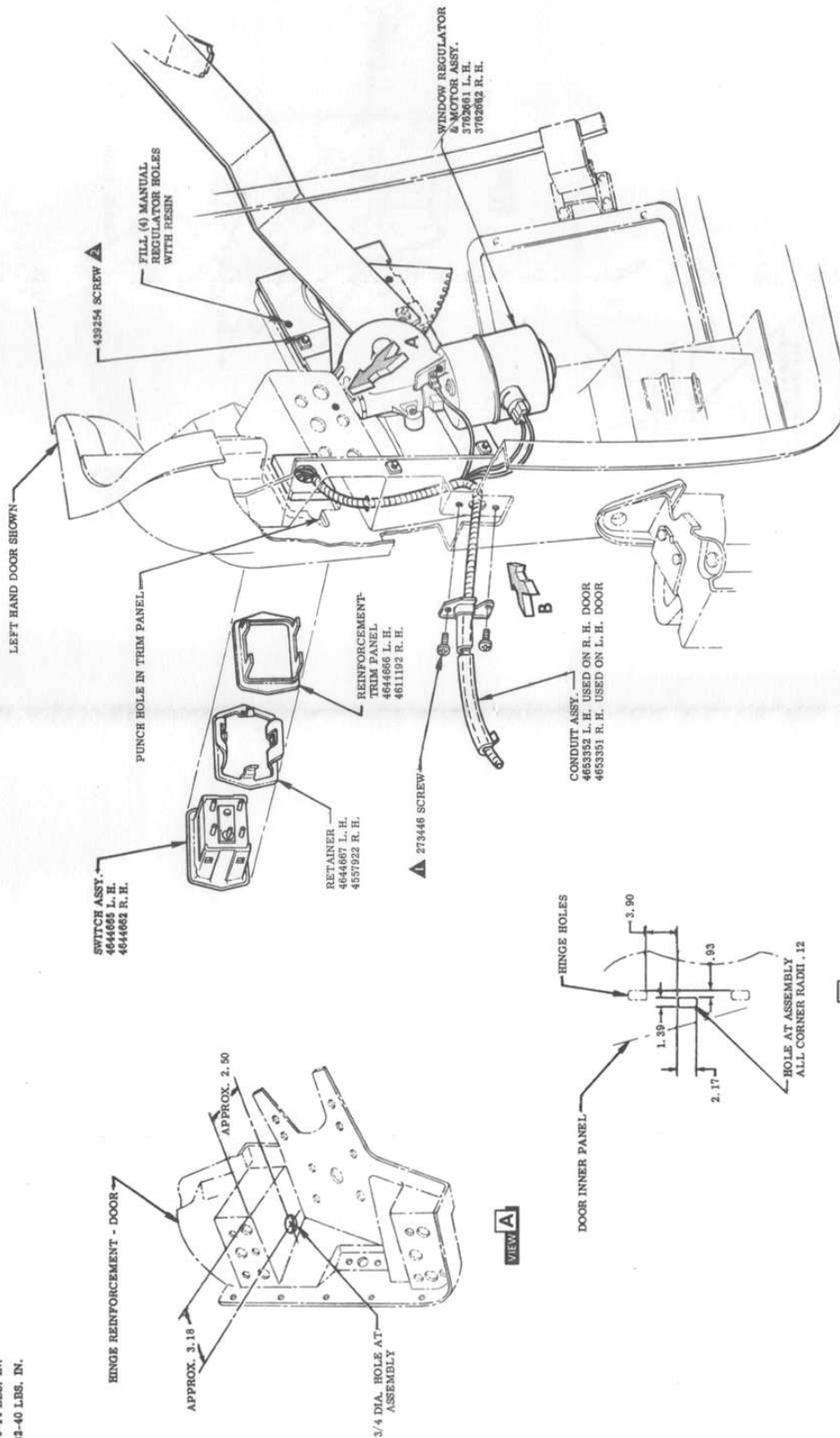


VIEW A

POWER LIFT WINDOWS INDEX

				NAME				CORVETTE INSTRUCTION MANUAL					
				REF.		DRAWN		CHECKED		R. P. O.		SHEET	
				19977		FOWLER		BUCK		426		1.00	
				DATE		PART No.							
				6-8-50		3774300							
DATE	SYM.	RELEASED	REVISION RECORD	AUTH.	DR.	CK.							

▲ 10-14 LBS. IN.  
▲ 32-40 LBS. IN.



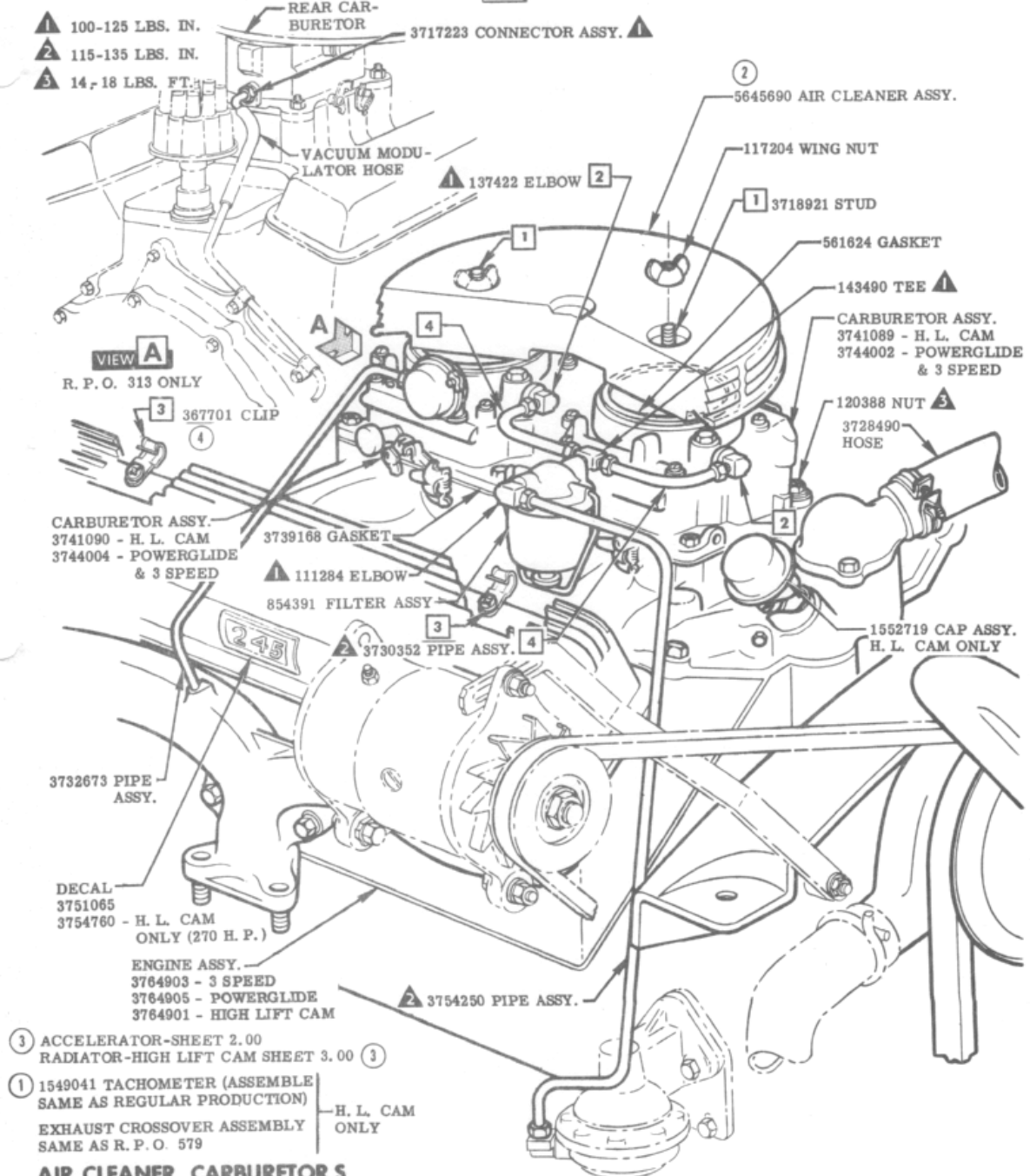
NAME		CORVETTE INSTRUCTION MANUAL		SHEET	
REF.	19977	DRAWN	FOWLER	CHECKED	BUCK
DATE	6-6-50	PART No.	3774300	R. P. O.	426 2.00
DATE	SYM.	RELEASED	REVISION RECORD	AUTH.	DE. CK.

POWER LIFT WINDOWS - DOOR EQUIPMENT

CHEVROLET MOTOR DIVISION



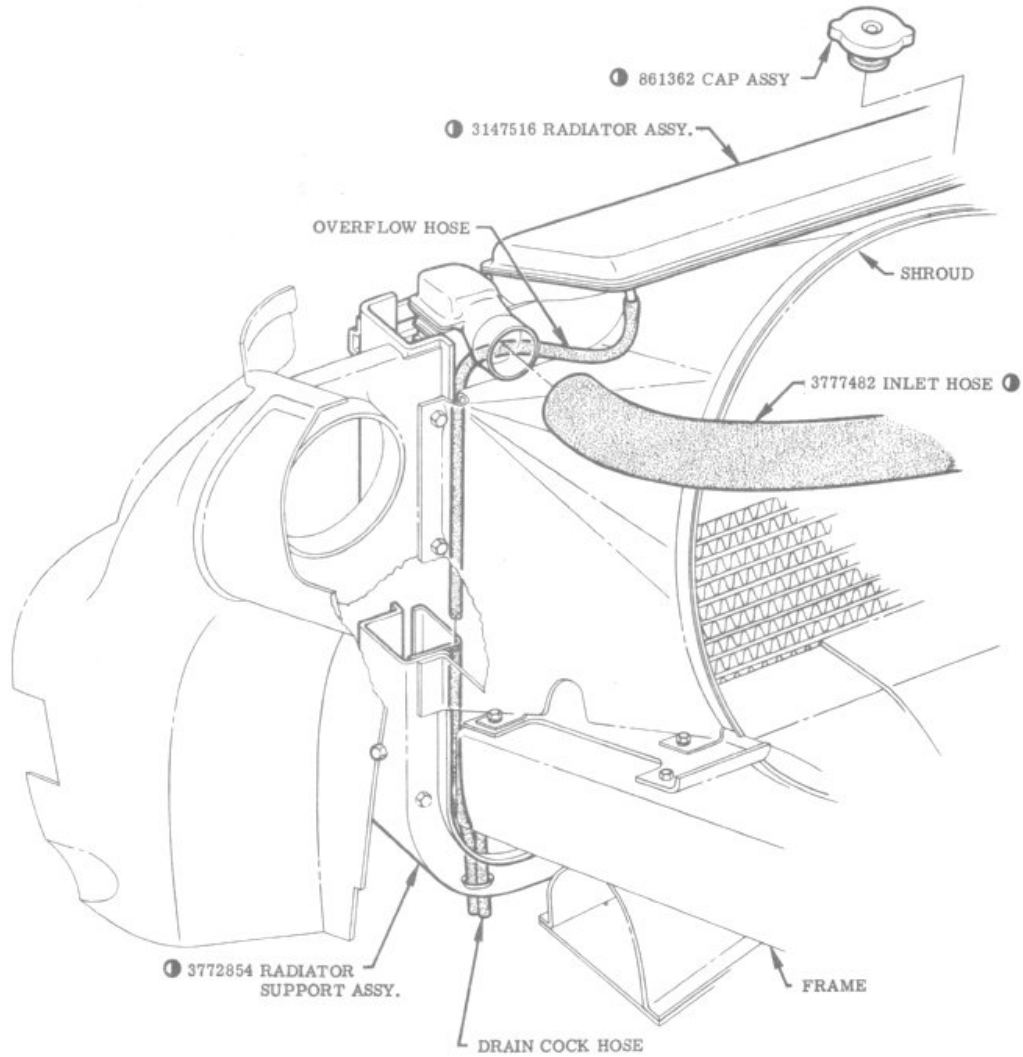
GENERAL MOTORS CORPORATION



**AIR CLEANER, CARBURETOR S FUEL PIPES AND ENGINE**

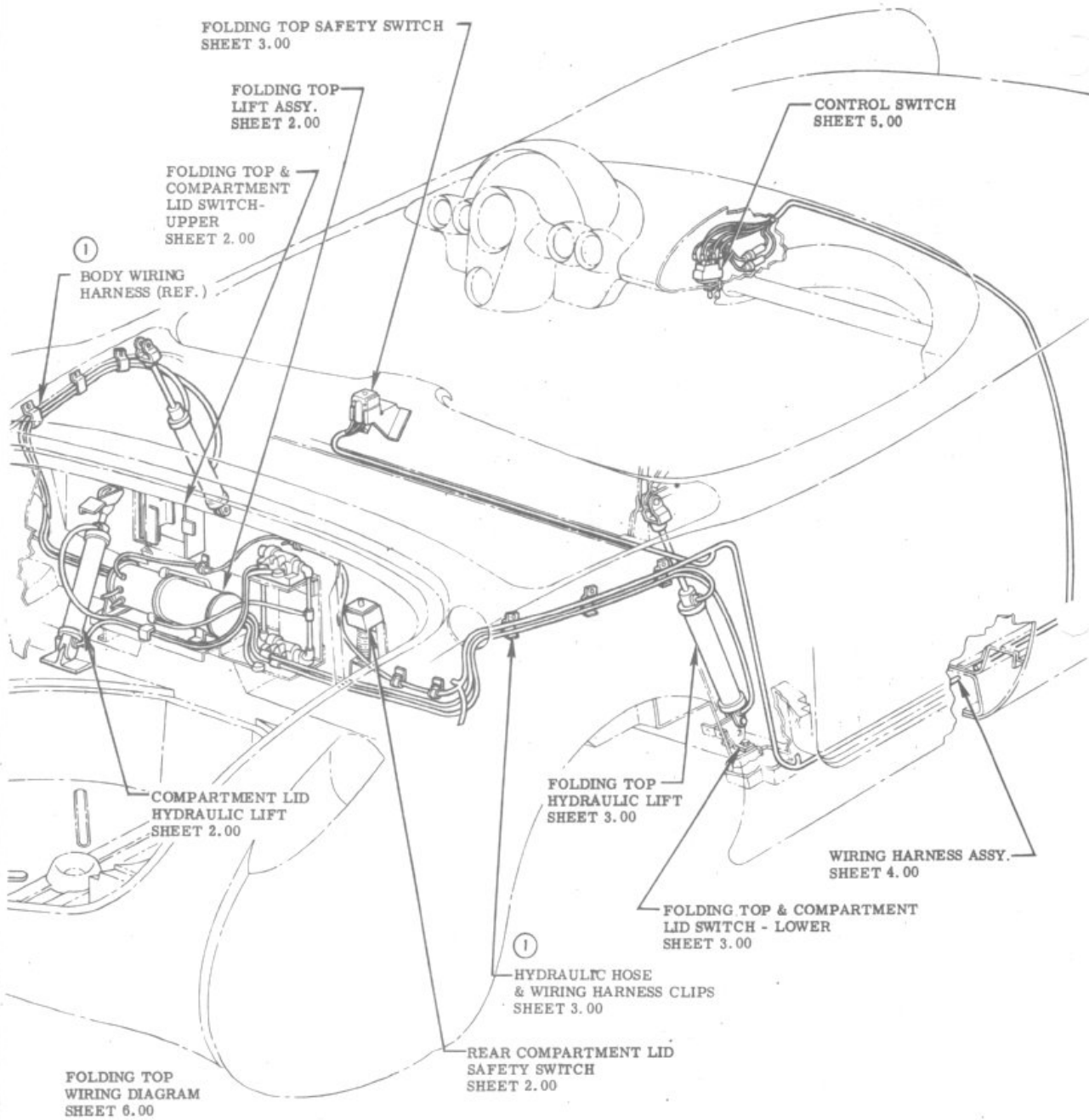
DATE	SYM.	REVISION RECORD	AUTH.	DR.	CK.	NAME	CORVETTE INSTRUCTION MANUAL				
3-16-60	4	WAS 3731389	26692	WS	F						
1-22-60	3	NOTE ADDED 2 PLACES	17617	WS	F						
10-21-59	2	WAS 1553819	22371	WO	F						
8-12-59	1	WAS 1548838 RELEASED	20810	WO	F	REF. 19977	DRAWN OHRYN	CHECKED BUCK	R. P. O. 469	SHEET 1.00	
						DATE 6-22-59	PART No. 3774300				





**DUAL FOUR BARREL CARBURETOR—  
HIGH LIFT CAM RADIATOR**

						NAME	CORVETTE INSTRUCTION MANUAL			
						REF.	DRAWN	CHECKED	SECT.	SHEET
						17617	W. O. -W. S.	F		
		RELEASED				DATE	PART No.		469	3.00
		REVISION RECORD	AUTH.	DR.	CK.	1-22-60	3774300			

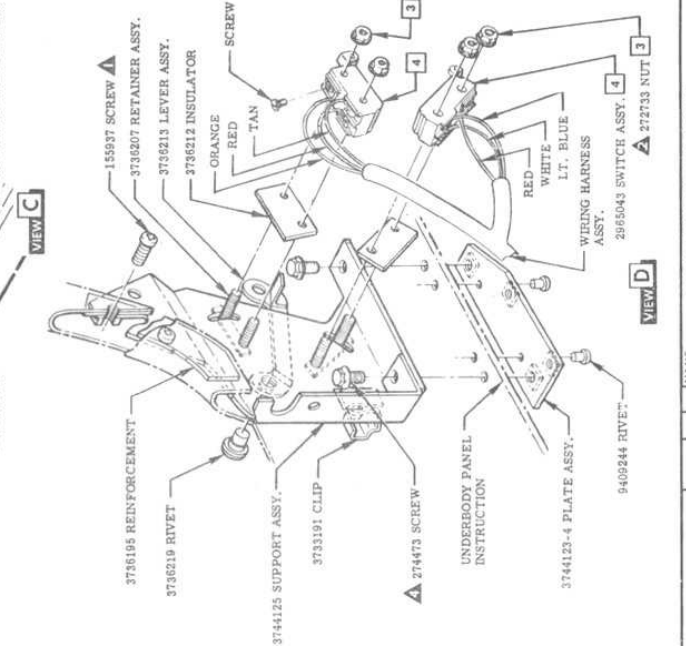
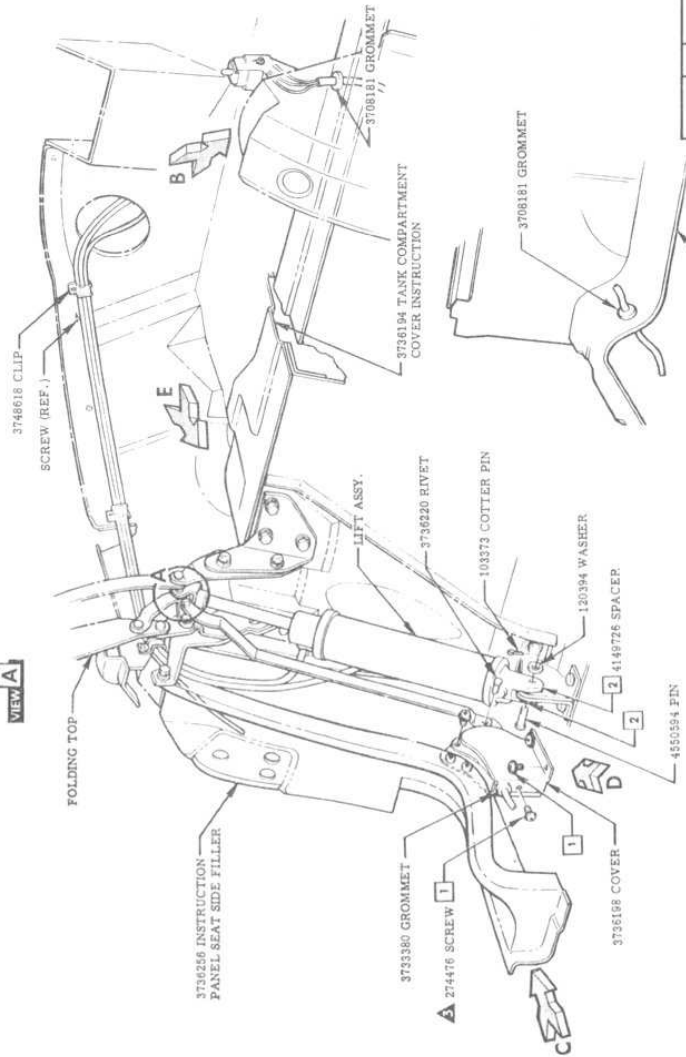
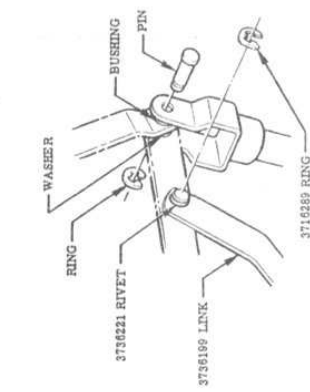
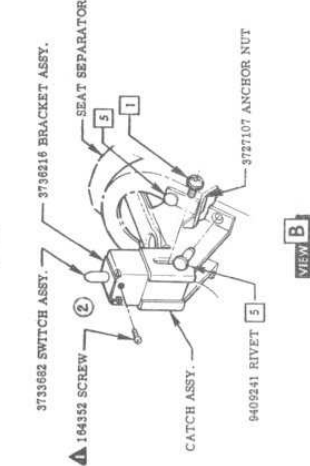
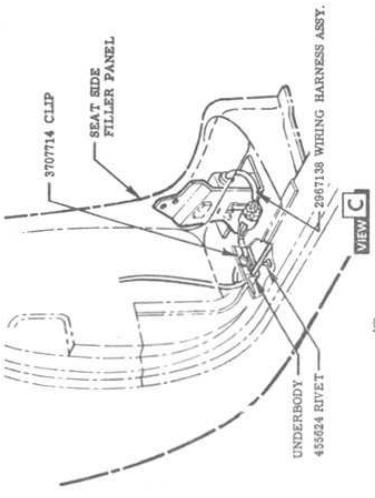


**HYDRAULIC FOLDING TOP INDEX**

				CORVETTE INSTRUCTION MANUAL							
DATE	SYM.	REVISION RECORD	AUTH.	DR.	CK.	NAME	REF.	DRAWN	CHECKED	R. P. O.	SHEET
9-2-59	1	NOTE ADDED & PICTURE REVISED 2 PLACES RELEASED				B	19977	ORR	BUCK		
							DATE	PART No.		473	1.00
							6-24-59	3774300			



- ▲ 12-18 LBS. IN.
- ▲ 8-12 LBS. IN.
- ▲ 30-40 LBS. IN.
- ▲ 10-14 LBS. FT.



CORVETTE INSTRUCTION MANUAL		R. F. O. SHEET	
NAME	CHECKED	BUCK	473
REF.	DRAWN	ORR	3.00
6-10-60	2	PICTURE REVISED	3774300
DATE	SYM.	REVISION RECORD	
		AUTH. DR. CK.	
		DATE	5-27-59
		PART No.	3774300

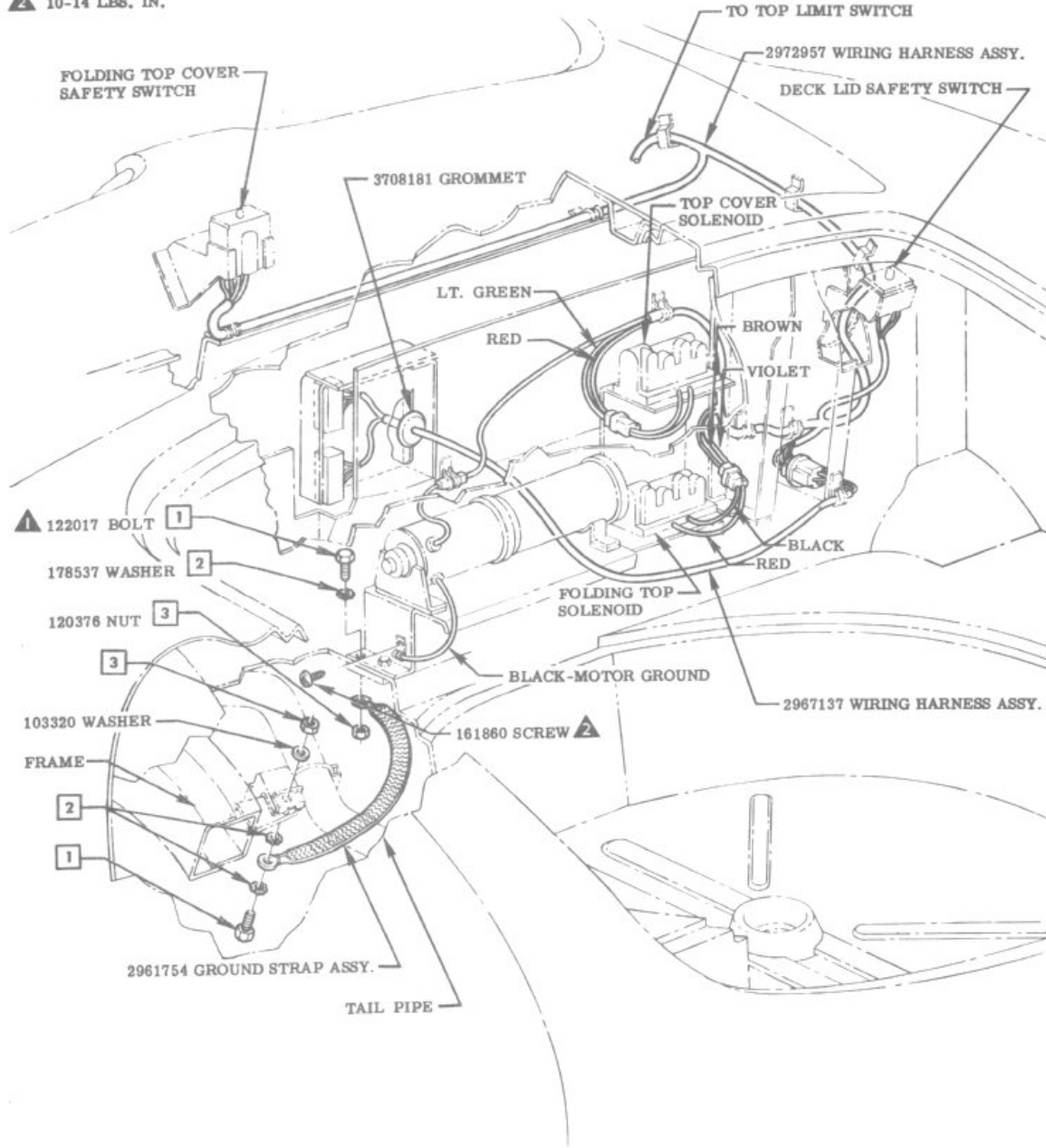
HYDRAULIC FOLDING TOP -  
FOLDING TOP SAFETY SWITCHES

CHEVROLET MOTOR DIVISION



GENERAL MOTORS CORPORATION

- ▲ 86-107 LBS. IN.
- ▲ 10-14 LBS. IN.



HYDRAULIC FOLDING TOP — WIRING HARNESS

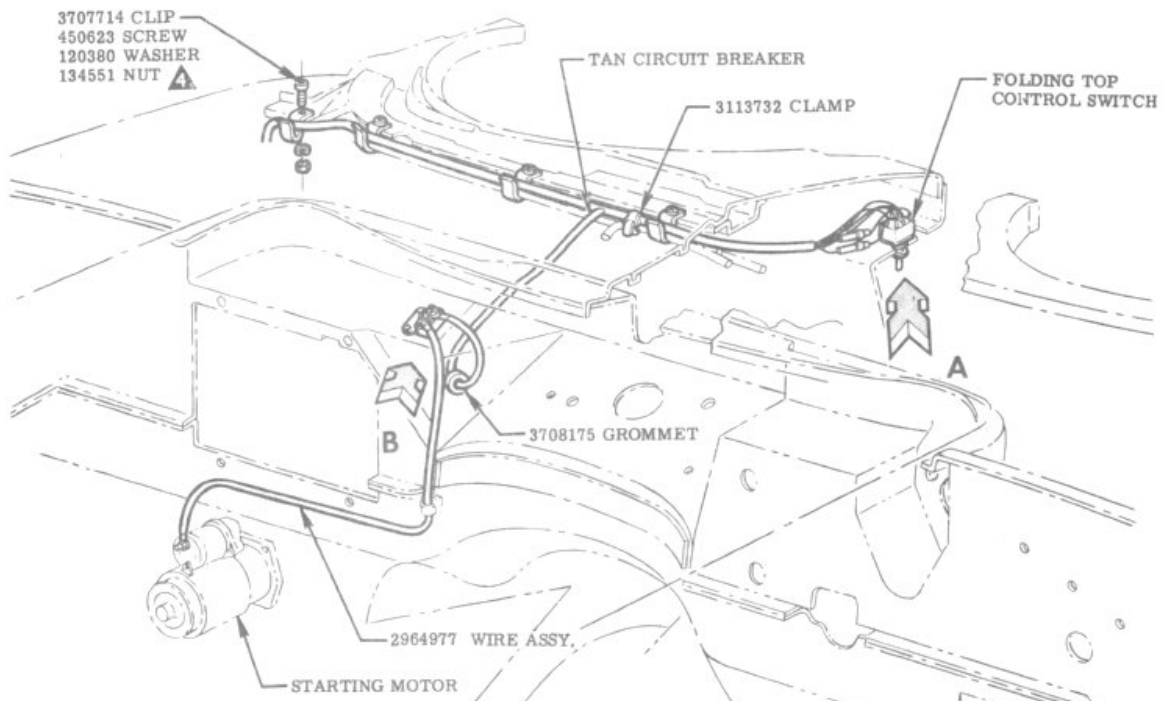
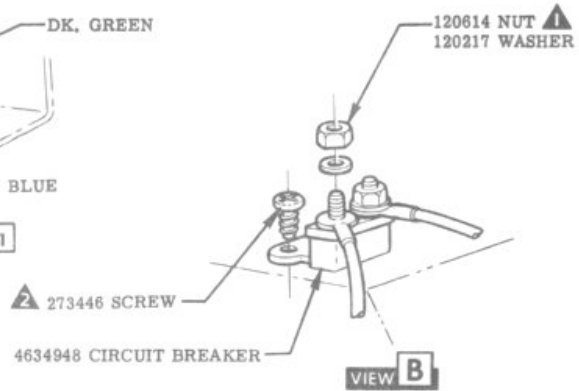
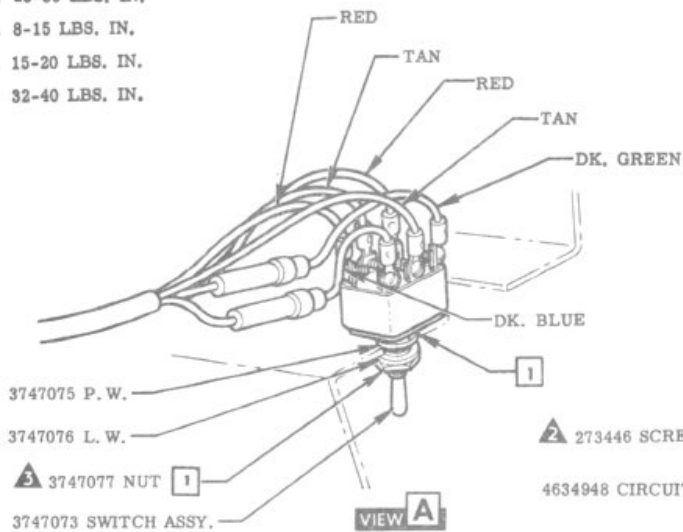
						NAME				CORVETTE INSTRUCTION MANUAL			
						REF.	DRAWN	CHECKED	R. P. O.		SHEET		
						19977	ORR	BUCK	473		4.00		
						DATE	PART No.						
						5-27-59	3 7 7 4 3 0 0						
DATE	SYM.	REVISION RECORD			AUTH.	DR.	CK.						

CHEVROLET MOTOR DIVISION



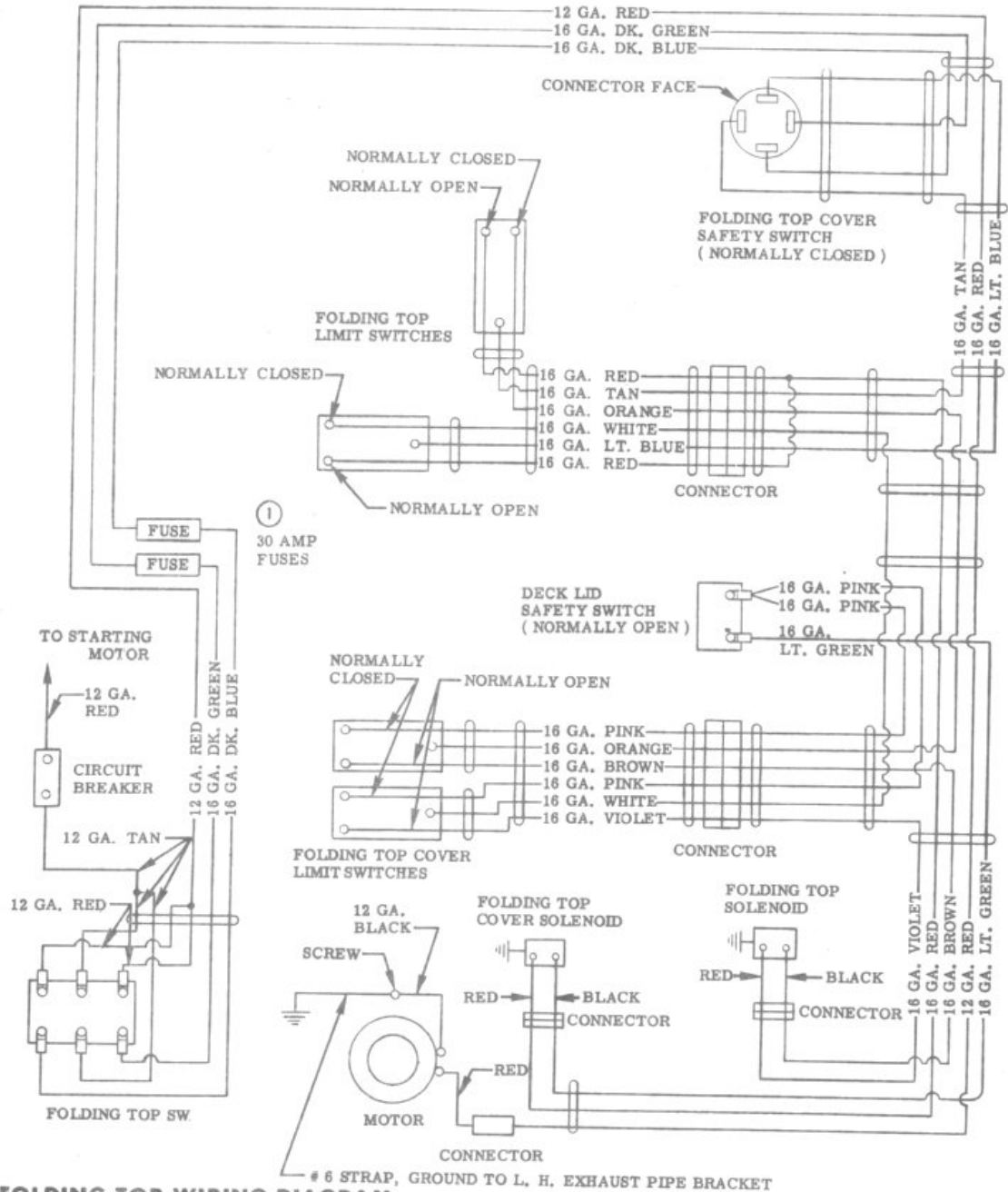
GENERAL MOTORS CORPORATION

- ▲ 1 23-35 LBS. IN.
- ▲ 2 8-15 LBS. IN.
- ▲ 3 15-20 LBS. IN.
- ▲ 4 32-40 LBS. IN.



**HYDRAULIC FOLDING TOP—  
CONTROL SWITCH**

				NAME	CORVETTE INSTRUCTION MANUAL						
				REF.	19977	DRAWN	ORR	CHECKED	BUCK	R. P. O.	SHEET
				DATE	5-27-59	PART No. 3774300			473	5.00	
DATE	SYM.	REVISION RECORD	AUTH. DR. CK.								



FOLDING TOP WIRING DIAGRAM

						CORVETTE INSTRUCTION MANUAL				
						NAME	DRAWN	CHECKED	R. P. O.	SHEET
11-9-59	1.	WAS 14 AMPS, RELEASED	23919	CO	F	19977	ORR	BUCK		
DATE	SYM.	REVISION RECORD	AUTH.	DR.	CK.	DATE	PART No.		473	6.00
						5-27-59	3774300			



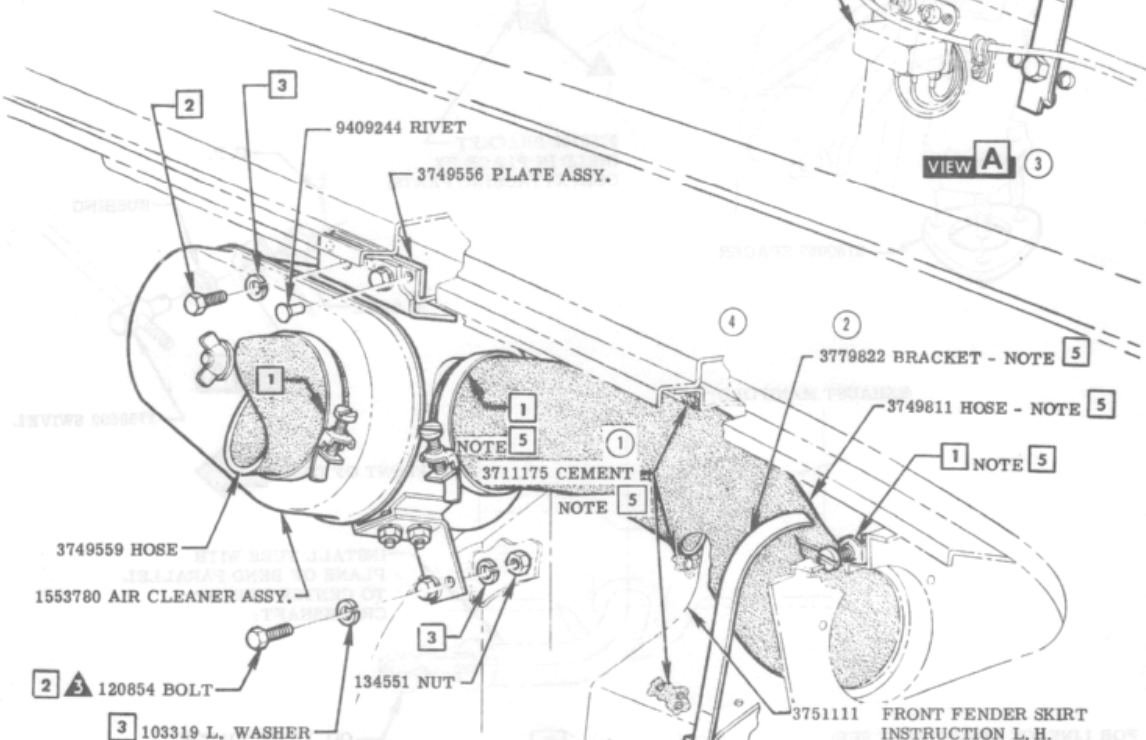
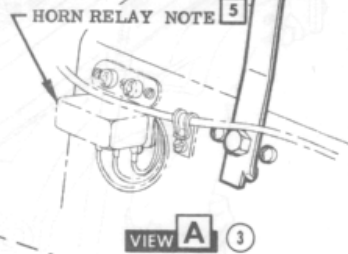
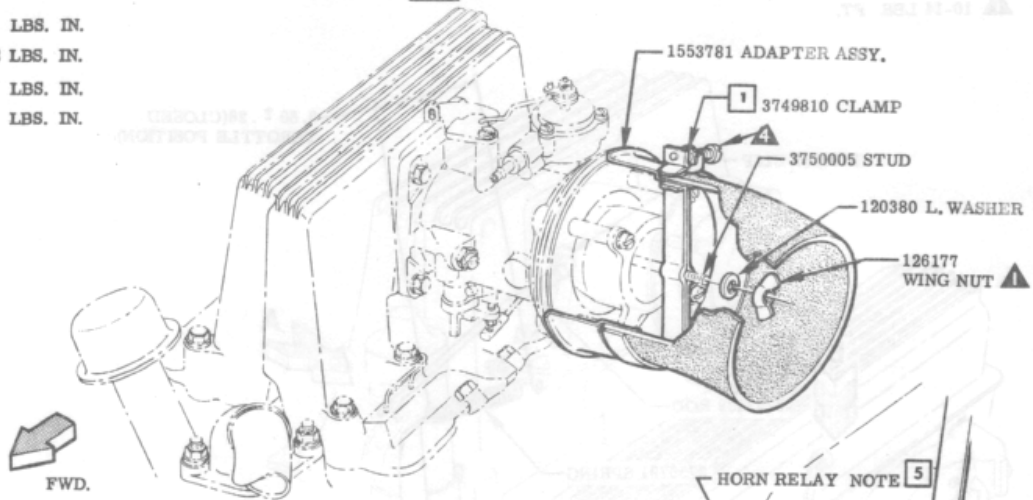


CHEVROLET MOTOR DIVISION



GENERAL MOTORS CORPORATION

- ▲ 20-30 LBS. IN.
- ▲ 100-132 LBS. IN.
- ▲ 32-40 LBS. IN.
- ▲ 40-50 LBS. IN.



5 USED WITH HIGH LIFT CAM ONLY

**FUEL INJECTION-AIR CLEANER**

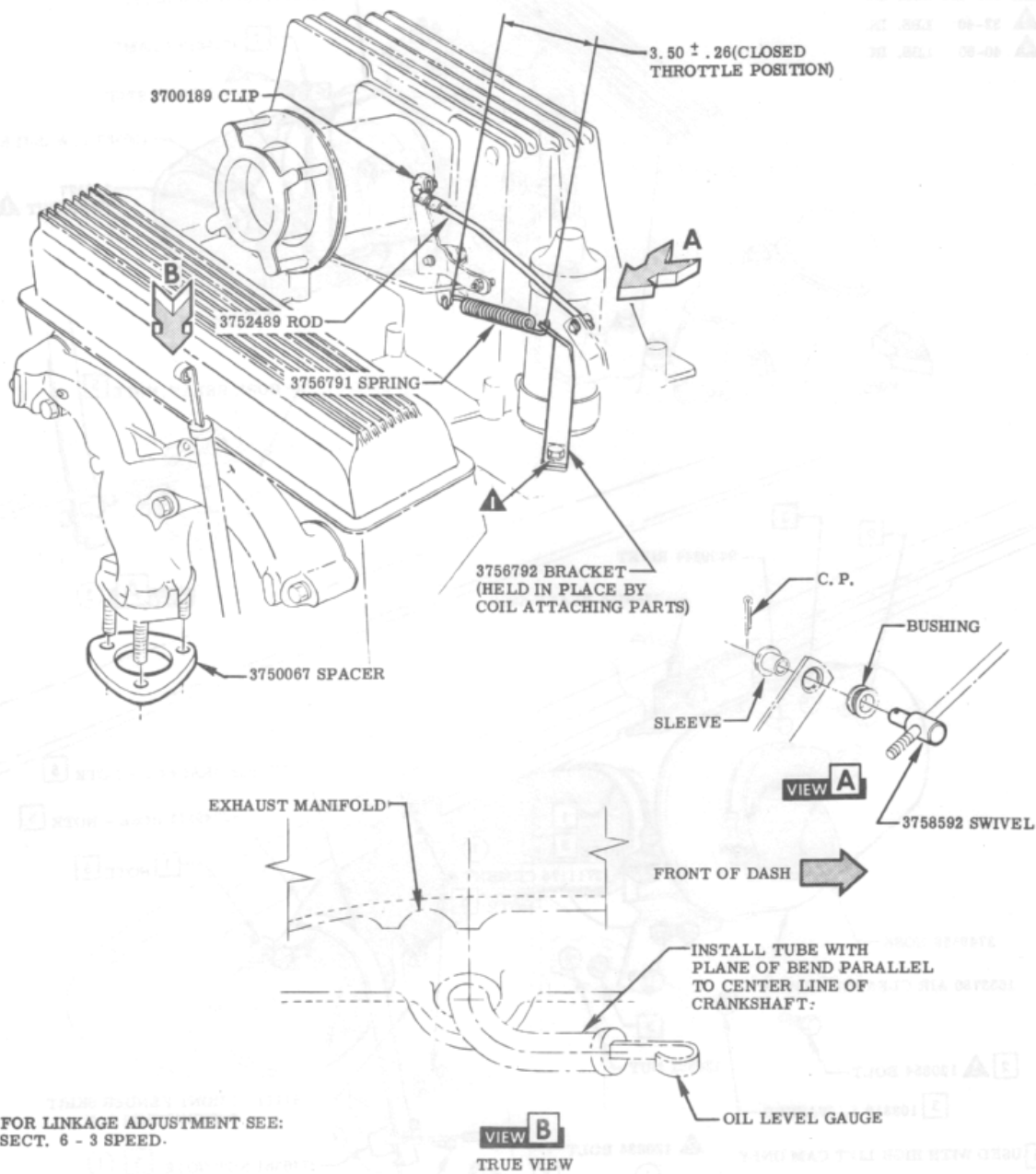
4	188919, 10-15 LBS. IN. REM'VD. (2 PLACES)				F	NAME	CORVETTE INSTRUCTION MANUAL				
3	VIEW ADDED					REF.	19977	DRAWN	CHECKED	R. P. O.	SHEET
2	WAS 3749809 & RELOCATED							OHRYN	BUCK		
1-30-60	1 PART ADDED (4 PLACES)	24053	WS			DATE	5-26-59	PART No.	3774300	579	2.00
DATE	SYM.	REVISION RECORD		AUTH.	DR.	CK.					

CHEVROLET MOTOR DIVISION



GENERAL MOTORS CORPORATION

**▲** 10-14 LBS. FT.

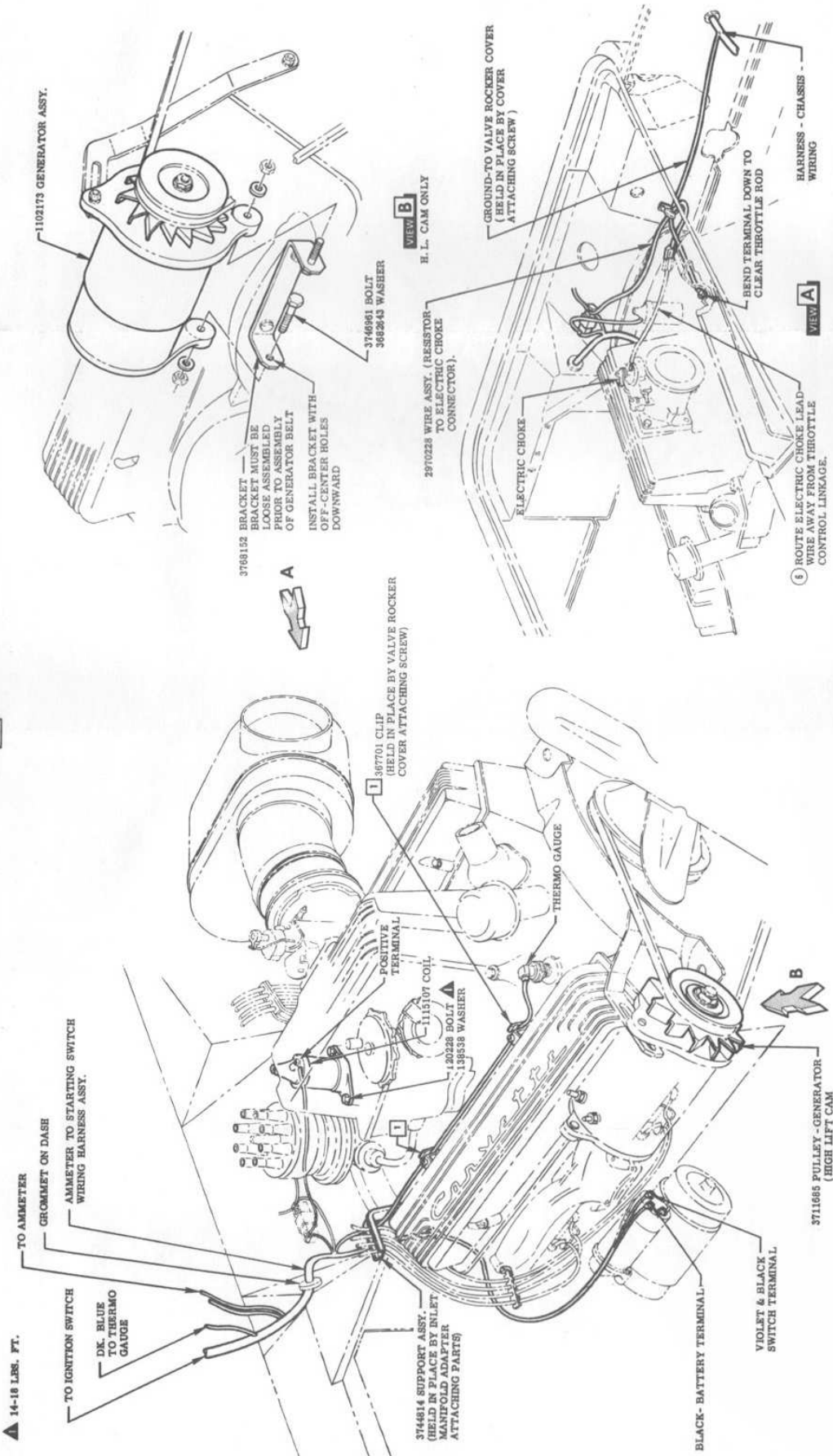


FOR LINKAGE ADJUSTMENT SEE:  
SECT. 6 - 3 SPEED.

**FUEL INJECTION—LINKAGE & OIL LEVEL GAUGE**

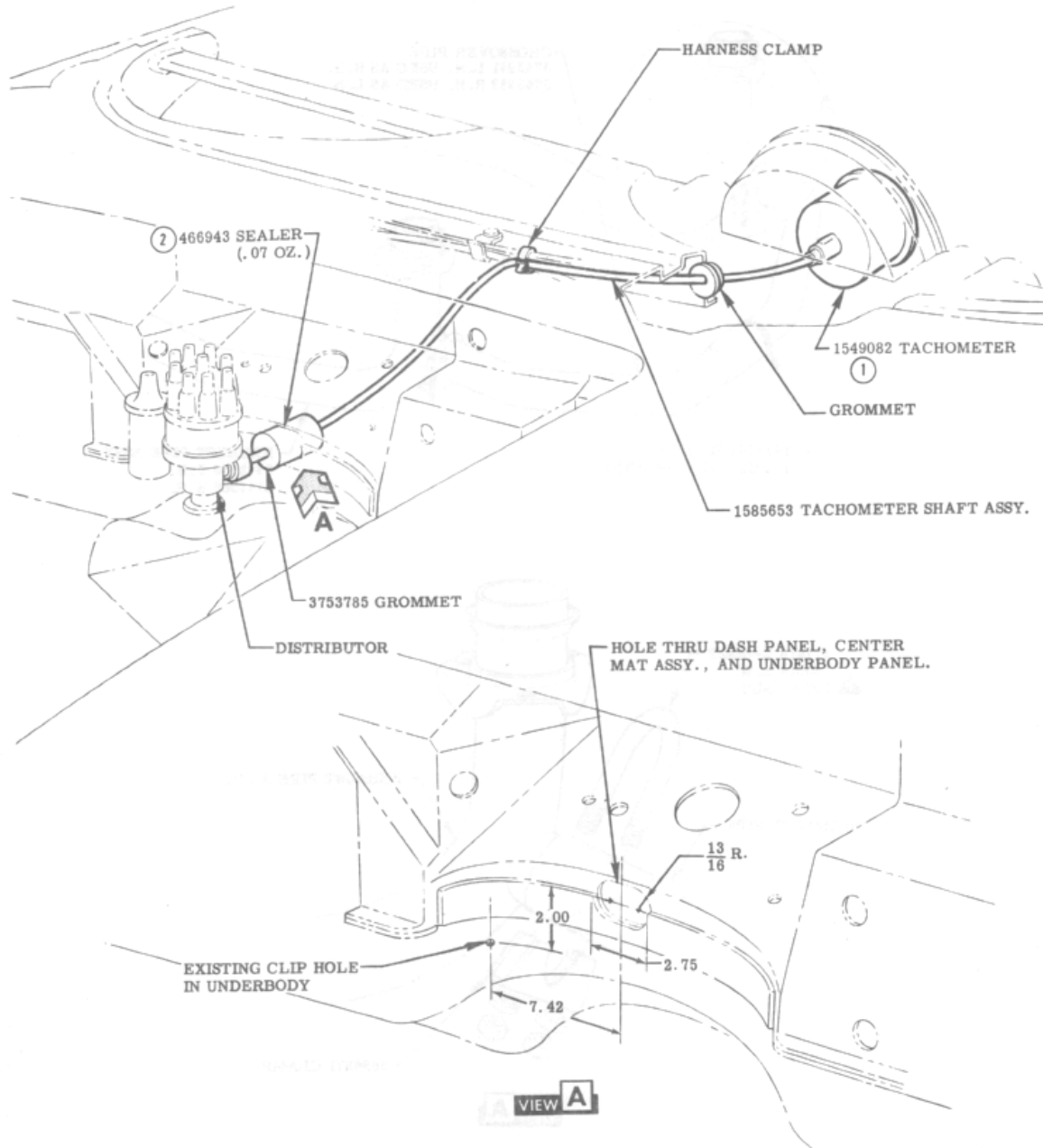
						CORVETTE INSTRUCTION MANUAL					
						NAME	CORVETTE INSTRUCTION MANUAL				
						REF.	19977	DRAWN OHRYN	CHECKED BUCK	R. P. O.	SHEET
						DATE	6-22-59	PART No. 3774300		579	3.00
DATE	SYM.	REVISION RECORD		AUTH.	DR. CK.						

RPO5793 Fuel Injection Linkage Oil Level Gauge



NAME		CORVETTE INSTRUCTION MANUAL	
REP.	19977	DRAWN	CHECKED
11-17-59	8	NOTE ADDED	23145
DATE	SYL	REVISION RECORD	AUTH. DR. CL.
			6-22-59
			3774300
			BUCK
			579
			4.00
			SHEET

FUEL INJECTION-ELECTRICAL

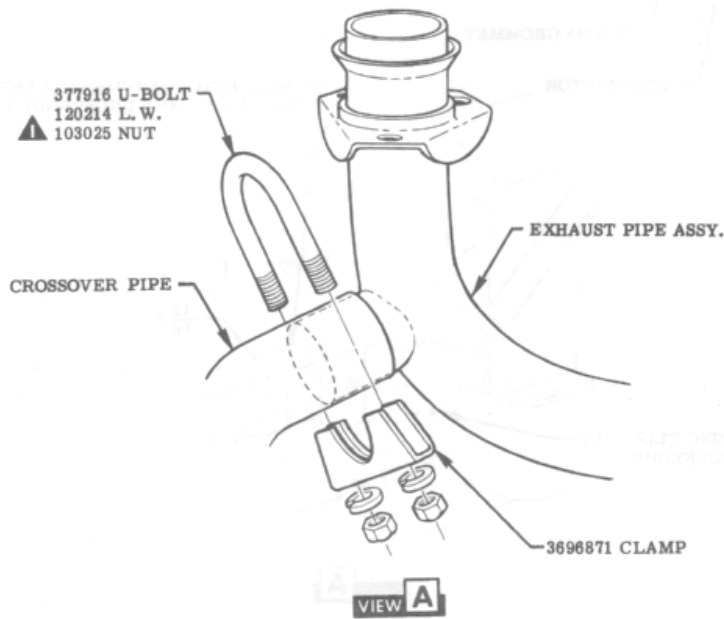
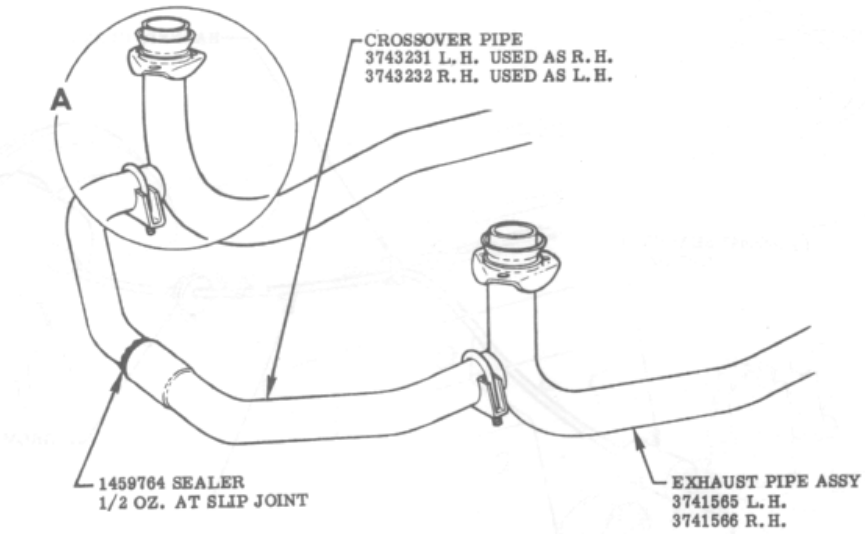


FUEL INJECTION - TACHOMETER WITH HIGH LIFT CAM

REVISION RECORD				CORVETTE INSTRUCTION MANUAL				
DATE	SYM.	REVISION RECORD	AUTH.	DR.	CK.	PART No.	R. P. O.	SHEET
12-14-59	2	WAS 3710409	15944	RV	F	3774300	579	5.00
8-12-59	1	WAS 1548804	20810	WO	F			
		RELEASED						



▲ 90-130 LBS. IN. ①



FUEL INJECTION—EXHAUST

				NAME CORVETTE INSTRUCTION MANUAL			
REF. 19977		DRAWN OHRYN		CHECKED BUCK		R. P. O.	
DATE 5-26-59		PART No. 3774300		579		SHEET 6.00	
4-30-60	1	WAS 14-18 LBS. FT.	28223	WO			
DATE	SYM.	REVISION RECORD	AUTH.	DR.	CK.		

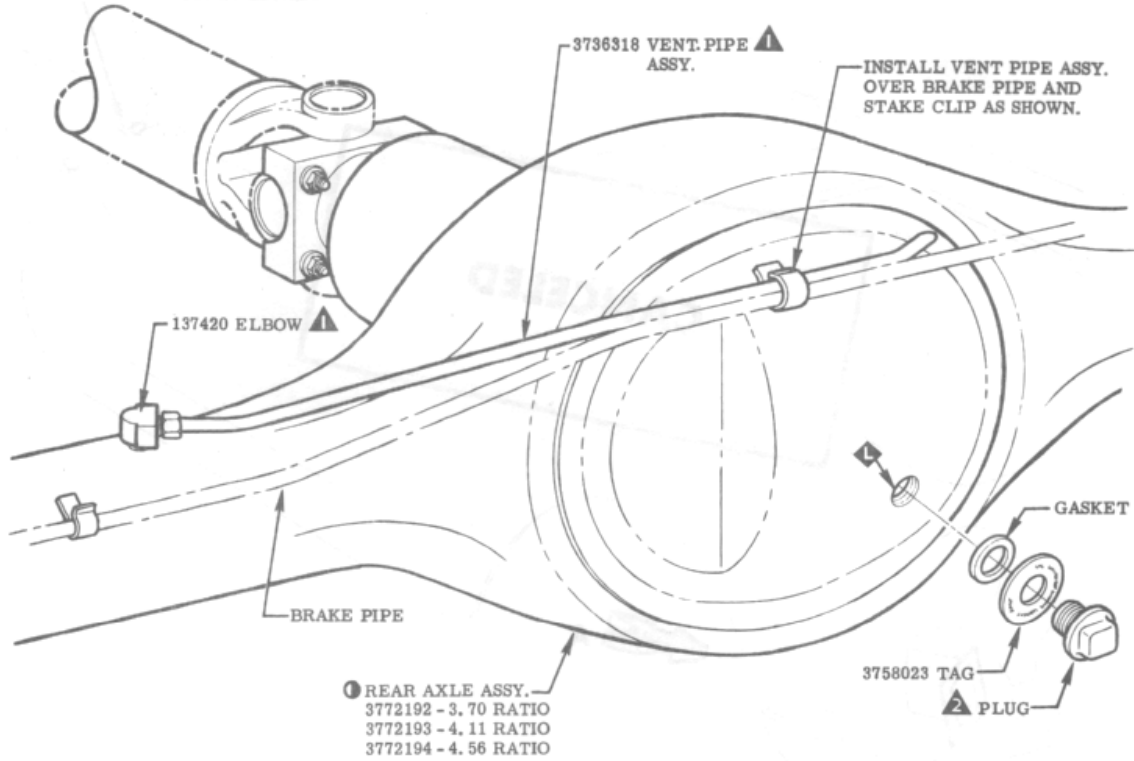
CHEVROLET MOTOR DIVISION



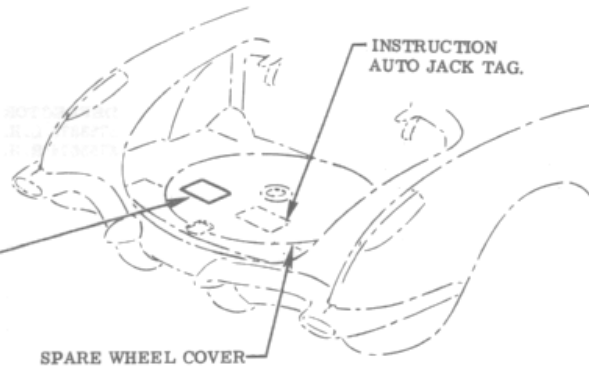
GENERAL MOTORS CORPORATION

▲ 100 - 125 LBS. IN.

▲ 15-20 LBS. FT.



3745926 CAUTION STICKER  
3686625 ADHESIVE  
(.156 OZ.)



REAR AXLE - LIMITED SLIP

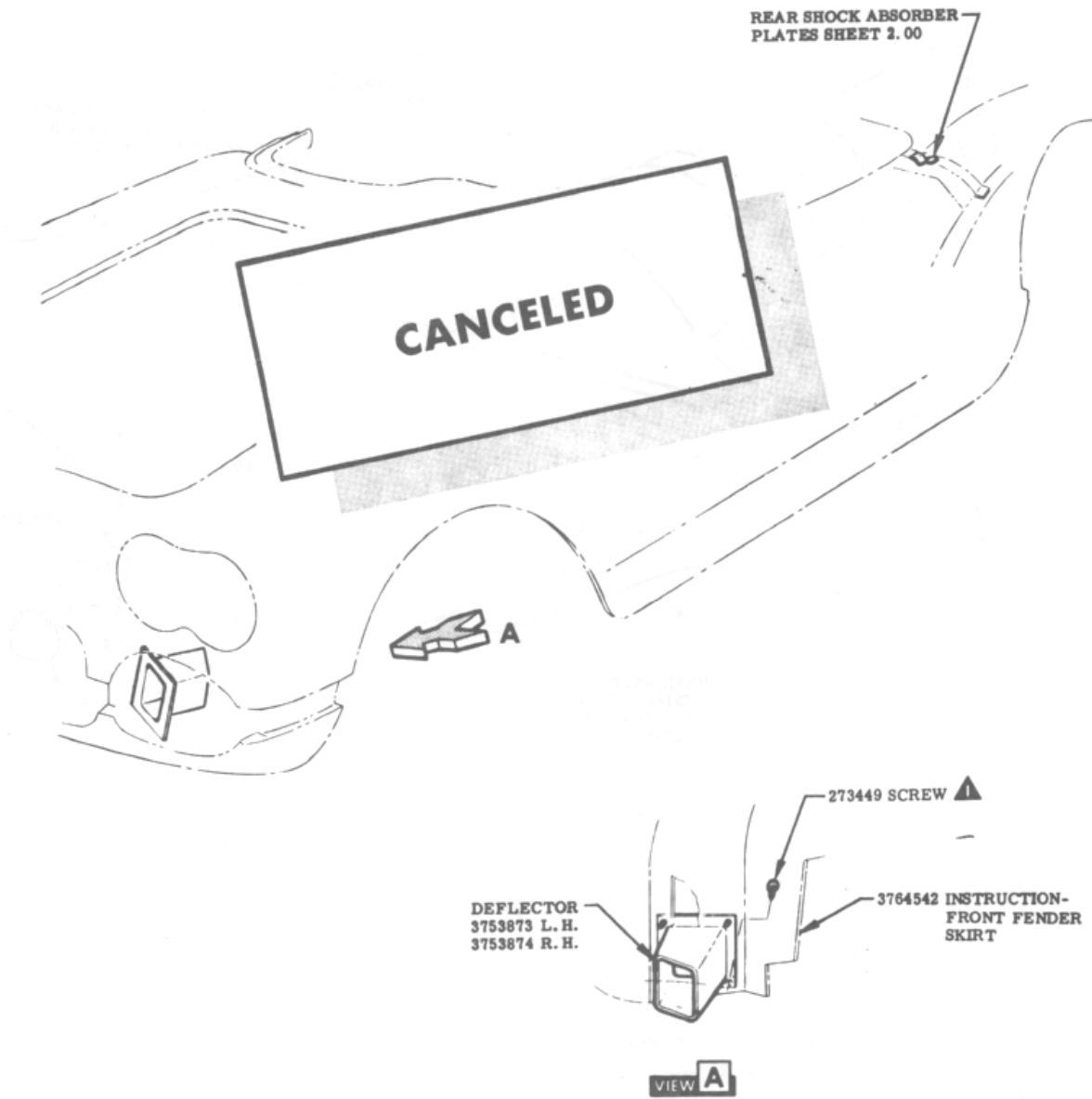
					NAME					CORVETTE INSTRUCTION MANUAL				
					REF.	DRAWN		CHECKED		R. P. O.		SHEET		
					19977	SHAFFER		BUCK						
					DATE	PART No.					675 1.00			
					5-27-59	3774300								
DATE	SYM.	REVISION RECORD			AUTH.	DR.	CK.							

CHEVROLET MOTOR DIVISION



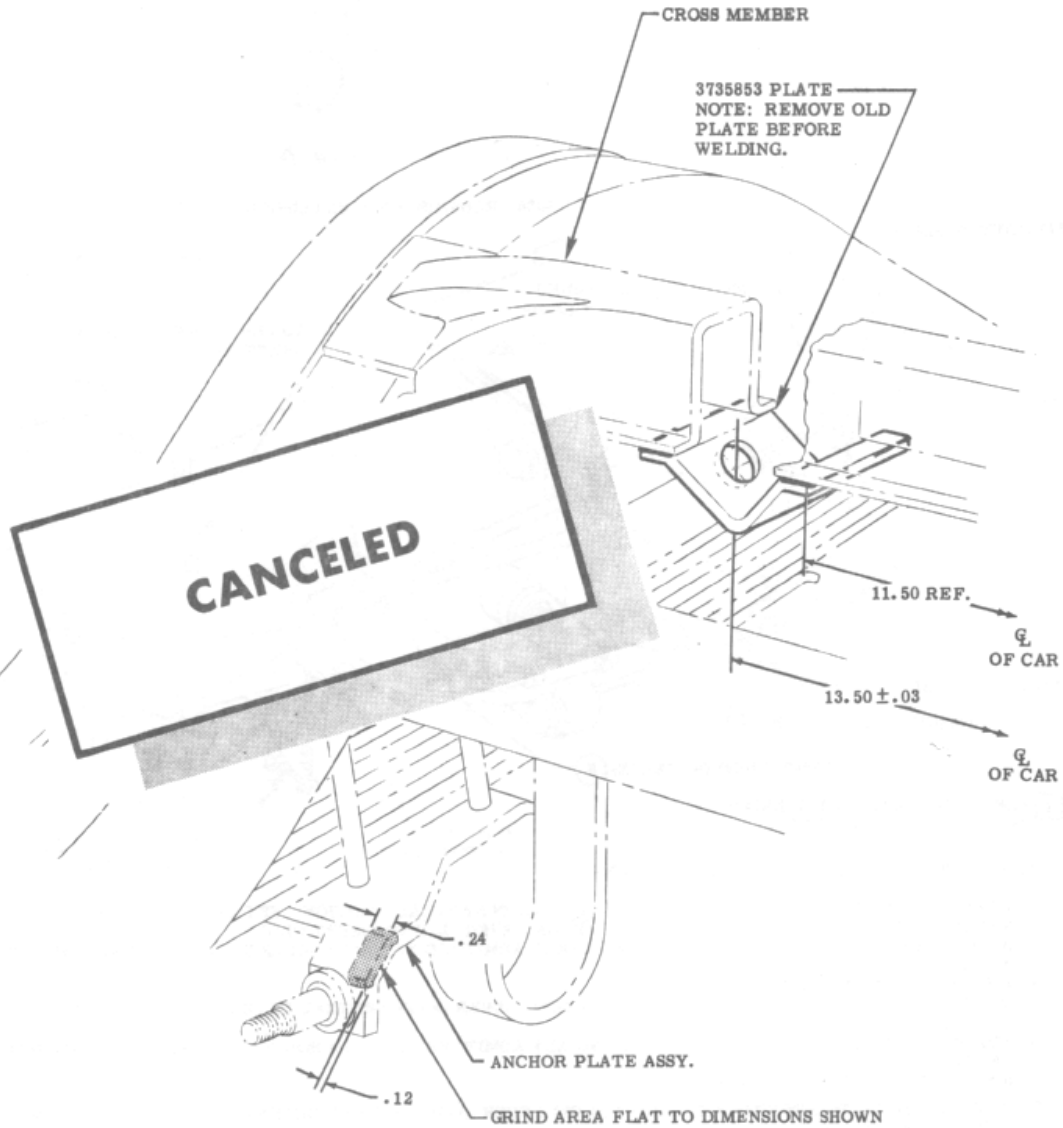
GENERAL MOTORS CORPORATION

▲ 13-17 LBS. IN.



HEAVY DUTY BRAKE & SUSPENSION INDEX

HEAVY DUTY BRAKE & SUSPENSION INDEX					CORVETTE INSTRUCTION MANUAL					
DATE	SYM.	REVISION RECORD	AUTH.	DR.	CK.	REF.	DRAWN	CHECKED	R. P. O.	SHEET
7-10-59	1	SHEET CANCELED RELEASED	20984	WS	F	19977	ORR	BUCK	684	1.00
						DATE	PART No. 3774300			
						6-5-59				



**HEAVY DUTY BRAKE & SUSPENSION -  
REAR SHOCK ABSORBER PLATES**

				NAME						
				CORVETTE INSTRUCTION MANUAL						
DATE	SYM.	REVISION RECORD	AUTH.	DR.	CK.	REF.	DRAWN	CHECKED	R. P. O.	SHEET
7-10-59	1	SHEET CANCELED	20984	WS	F		ORR			
6-5-59		RELEASED	19977	TH						
						DATE	PART No. 3774300		684	2.00

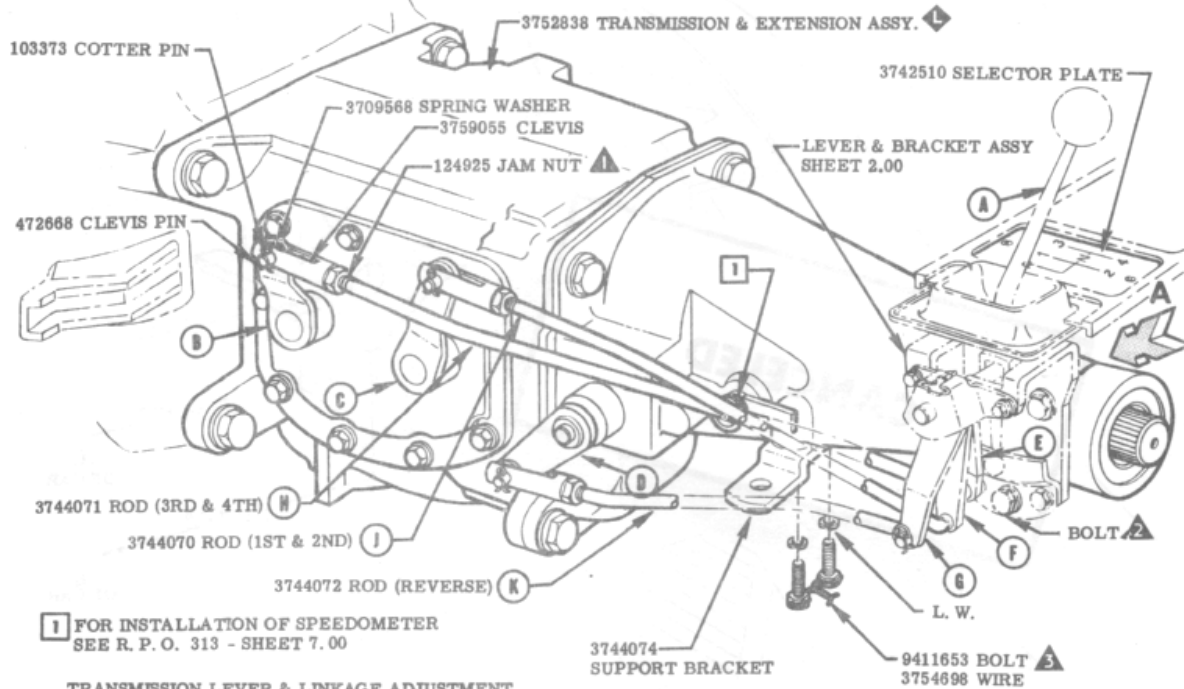
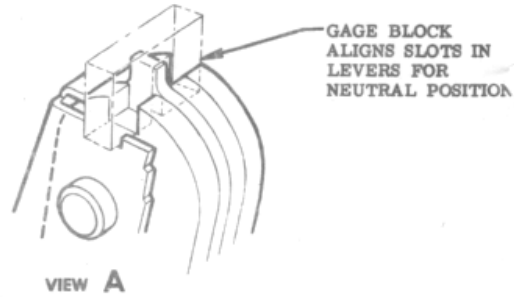


CHEVROLET MOTOR DIVISION



GENERAL MOTORS CORPORATION

- ▲ 11-16 LBS. FT.
- ▲ 22-29 LBS. FT.
- ▲ 25-30 LBS. FT.



TRANSMISSION LEVER & LINKAGE ADJUSTMENT

1. USING GAGE BLOCK, SET LEVERS (A), (E), (F) & (G) IN NEUTRAL POSITION. SET LEVERS (B), (C), & (D) IN NEUTRAL DETENT POSITION. INSTALL ROD (H) ON LEVER (E) AND INSERT CLIP.
2. ADJUST CLEVIS UNTIL CLEVIS PIN CAN BE FREELY ADMITTED THROUGH HOLES IN CLEVIS, SPRING WASHER AND LEVER (B).
3. INSTALL CLEVIS PIN AND COTTER PIN.
4. MOVE LEVER (A) TO 1ST. & 2ND. SIDE MAINTAINING LEVER (A) IN NEUTRAL DETENT. INSTALL ROD (J) ON LEVER (F) AND INSERT CLIP.
5. ADJUST CLEVIS UNTIL CLEVIS PIN CAN BE FREELY ADMITTED THROUGH HOLES IN CLEVIS, SPRING WASHER AND LEVER (C).
6. INSTALL CLEVIS PIN AND COTTER PIN.
7. MOVE LEVER (A) TO REVERSE SIDE MAINTAINING LEVER (A) IN NEUTRAL DETENT. INSTALL ROD (K) ON LEVER (G) AND INSERT CLIP.
8. ADJUST CLEVIS UNTIL CLEVIS PIN CAN BE FREELY ADMITTED THROUGH HOLES IN CLEVIS, SPRING WASHER AND LEVER (D).
9. REMOVE GAGE BLOCK AND CHECK SHIFTS TO INSURE PROPER OPERATION. READJUST CLEVIS IF NECESSARY.

① 1588355 SHAFT ASSY. -SPEEDO ①

4-SPEED TRANSMISSION

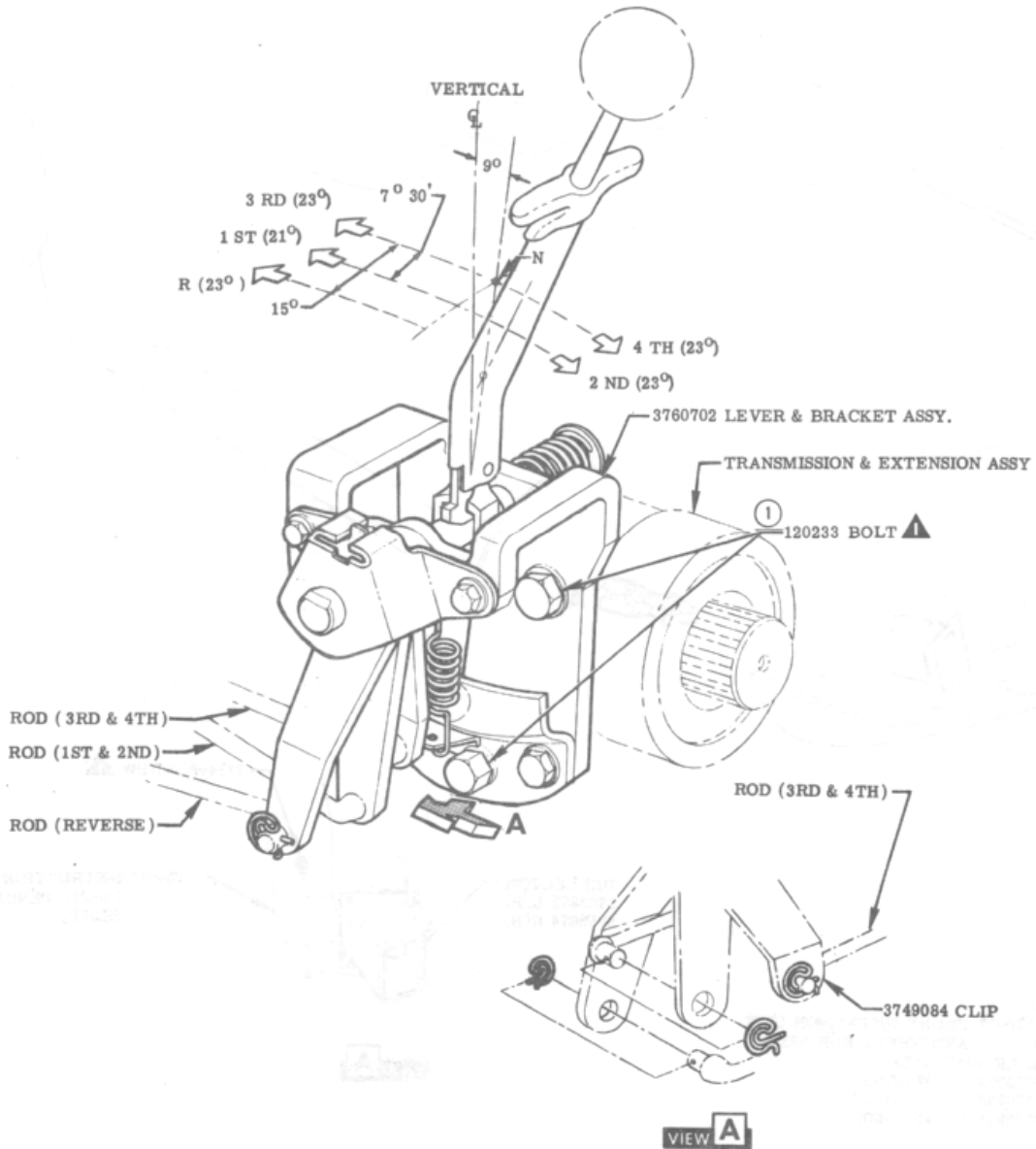
						CORVETTE INSTRUCTION MANUAL				
DATE	SYM.	REVISION RECORD	AUTH.	DR.	CK.	REF.	DRAWN	CHECKED	R. P. O.	SHEET
9-2-59	1	PART ADDED RELEASED	21732	WO	B	19977	OHRYN	BUCK	685	1.00
						DATE	PART No.			
						5-26-59	3774300			

CHEVROLET MOTOR DIVISION



GENERAL MOTORS CORPORATION

▲ 15 - 20 LBS. FT. (2)



**4 SPEED TRANSMISSION-CONTROL LEVER**

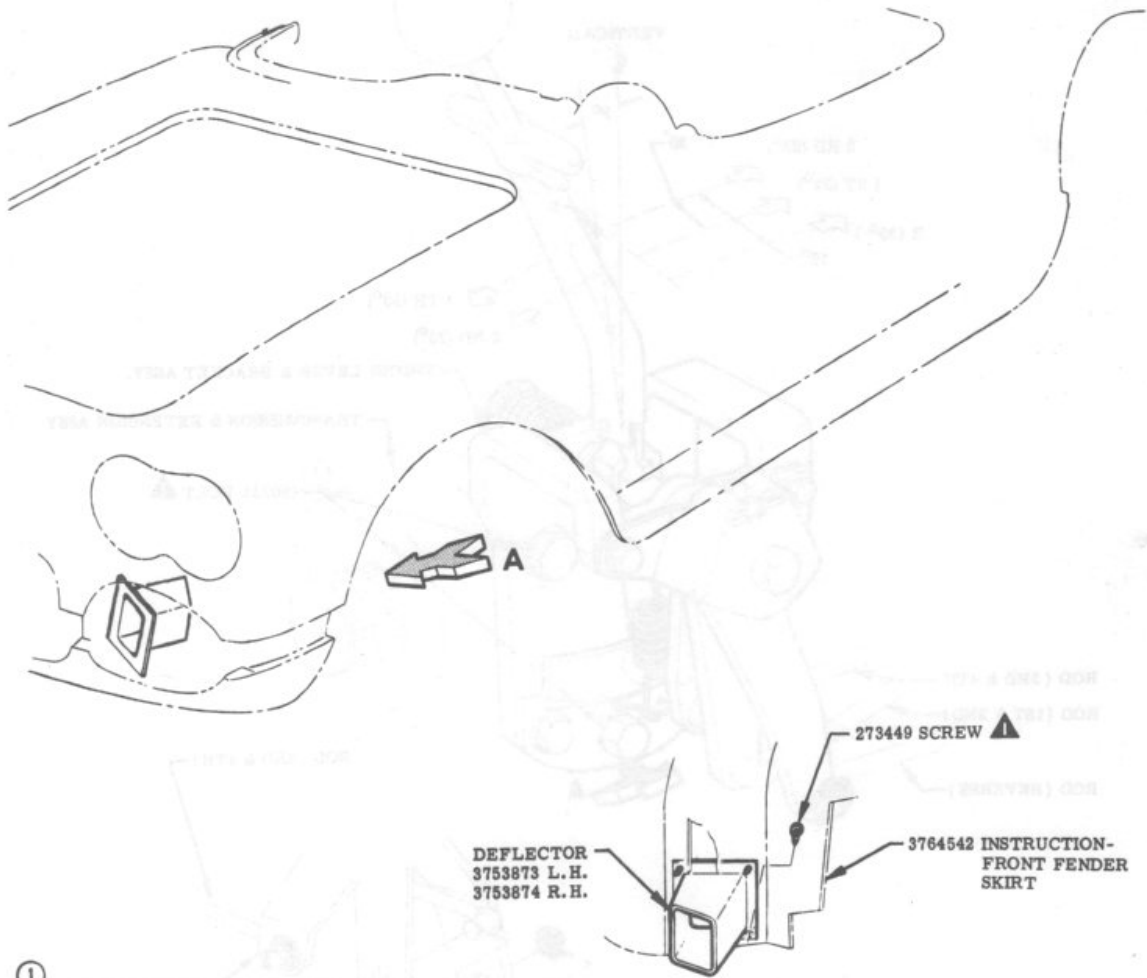
DATE		SYM.	REVISION RECORD	AUTH.	DR.	CK.	NAME	CORVETTE INSTRUCTION MANUAL			R. P. O.	SHEET
3-11-60	2		TORQUE ADDED			F	REF. 19977	DRAWN OHRYN	CHECKED BUCK		685	2.00
	1		NO. ADDED RELEASED		JS		DATE 6-8-59	PART No. 3774300				

RPO6852 4 Speed Transmission Control Lever (Shifter)



▲ 13-17 LBS. IN.

③ 75 282 82-41 ▲



- ① 3776927 FRONT SUSPENSION UNIT AND WHEEL HUB ASSY.
- ② AXLE ASSY. REAR
- ③ 3776929 (10-37 COMB.)
- 3776930 ( 9-37 COMB.)
- 3776931 ( 9-41 COMB.)

**HEAVY DUTY BRAKE & SPECIAL STEERING EQUIPMENT**

				NAME				CORVETTE INSTRUCTION MANUAL			
DATE	SYM.	REVISION RECORD	AUTH.	DR.	CK.	REF.	DRAWN	CHECKED	R. P. O.	SHEET	
9-3-59	2	CALLOUT ADDED	21785	CO	HB	20984	ORR		687	1.00	
8-13-59	1	WAS 3775455	21785	CO							
		RELEASED				DATE	PART No.				
						7-10-59	3774300				

